

EG 22,5-GMFP/PC GN - Mounting base housing



2764807

<https://www.phoenixcontact.com/us/products/2764807>

Please be informed that the data shown in this PDF document is generated from our online catalog. Please find the complete data in the user documentation. Our general terms of use for downloads are valid.



Housing base, with metal foot catch and test opening with side cover

The figure shows a fully mounted version of the electronic housing

Commercial data

Item number	2764807
Packing unit	10 pc
Minimum order quantity	10 pc
Note	Made to order (non-returnable)
Sales key	AC11
Product key	ACHCGA
GTIN	4017918131869
Weight per piece (including packing)	43.17 g
Weight per piece (excluding packing)	35.314 g
Customs tariff number	85389099
Country of origin	PL

EG 22,5-GMFP/PC GN - Mounting base housing



2764807

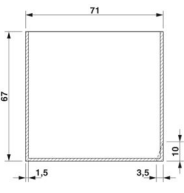
<https://www.phoenixcontact.com/us/products/2764807>

Technical data

Product properties

Housing type	Component housing
Type	Lower housing parts with test opening with side cover, housing cover necessary to complete the module
Number of positions	8

Dimensions

Dimensional drawing	
Width	22.5 mm
Installed height	107.5 mm
Height NS 35/7,5	107.5 mm
Depth	75 mm
Length	75 mm

Material specifications

Color	green
Flammability rating according to UL 94	V0
Housing material	PC

Environmental and real-life conditions

Ambient conditions

Ambient temperature (operation)	-40 °C ... 125 °C
---------------------------------	-------------------

Mounting

Mounting type	DIN rail mounting
---------------	-------------------

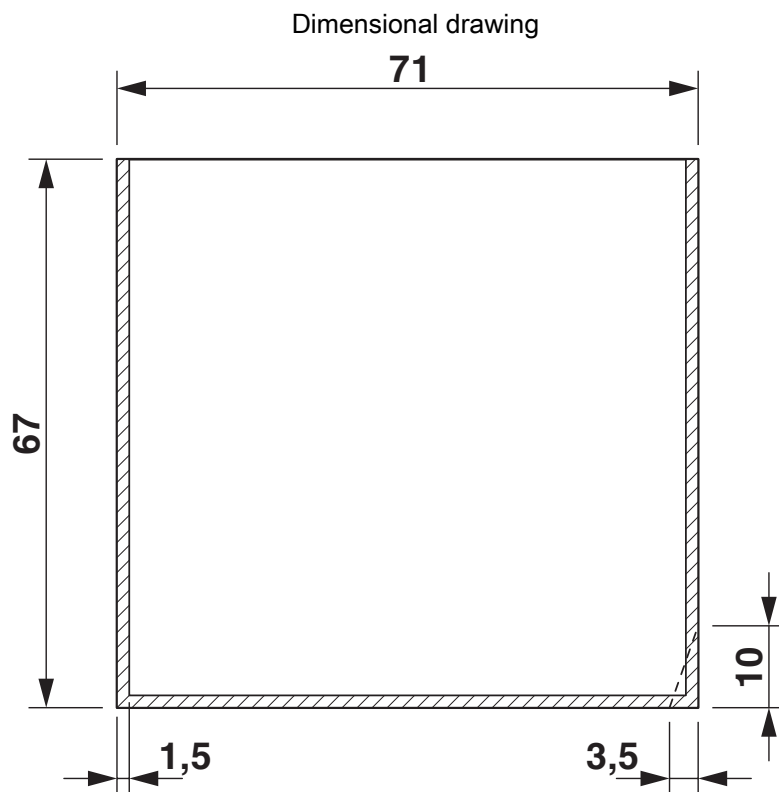
EG 22,5-GMFP/PC GN - Mounting base housing

2764807

<https://www.phoenixcontact.com/us/products/2764807>



Drawings



valid for PCB 7, see explosion drawing

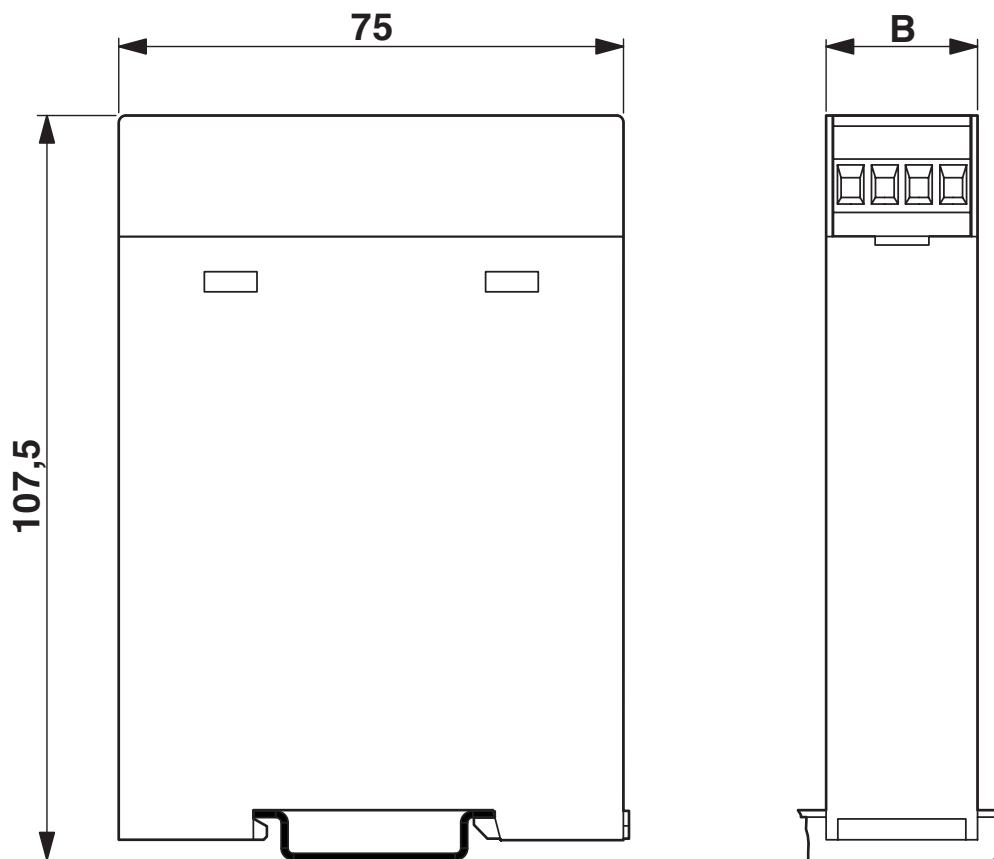
EG 22,5-GMFP/PC GN - Mounting base housing

2764807

<https://www.phoenixcontact.com/us/products/2764807>



Dimensional drawing

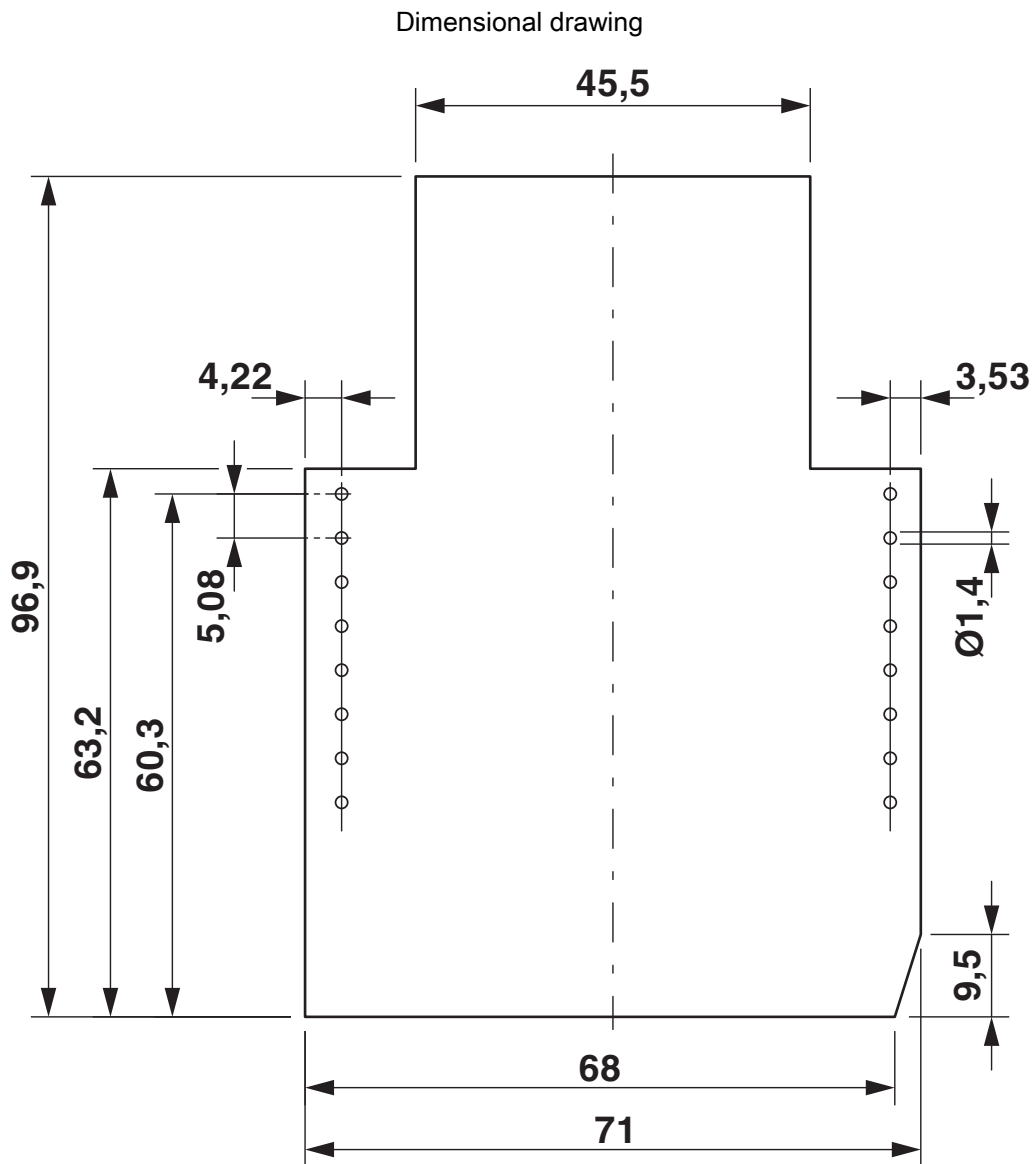


EG 22,5-GMFP/PC GN - Mounting base housing



2764807

<https://www.phoenixcontact.com/us/products/2764807>



Component mounting side, if the double-level upper part is used

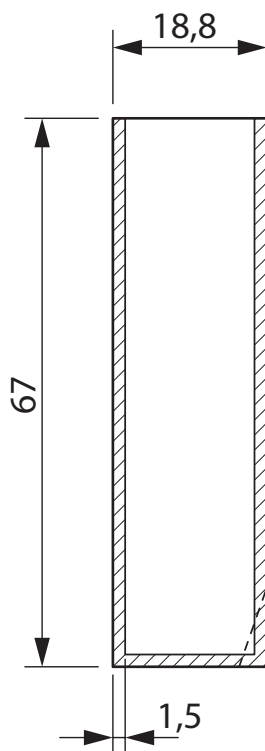
EG 22,5-GMFP/PC GN - Mounting base housing

2764807

<https://www.phoenixcontact.com/us/products/2764807>



Dimensional drawing



valid for PCB 1, see explosion drawing

EG 22,5-GMFP/PC GN - Mounting base housing

2764807

<https://www.phoenixcontact.com/us/products/2764807>

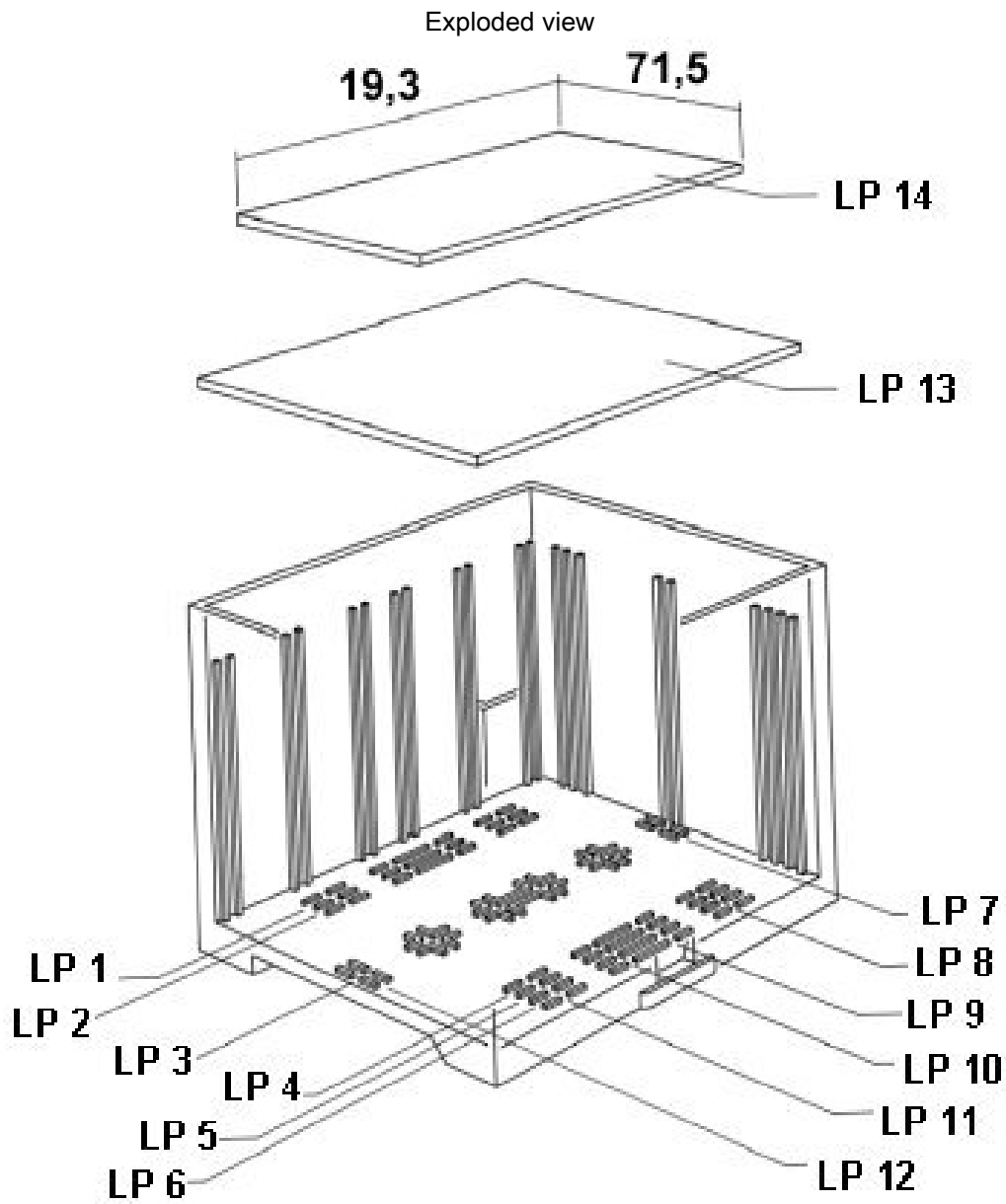


valid for PCB 14

EG 22,5-GMFP/PC GN - Mounting base housing

2764807

<https://www.phoenixcontact.com/us/products/2764807>



valid for PCB 13

EG 22,5-GMFP/PC GN - Mounting base housing



2764807

<https://www.phoenixcontact.com/us/products/2764807>

Classifications

UNSPSC

UNSPSC 21.0	31261500
-------------	----------

EG 22,5-GMFP/PC GN - Mounting base housing



2764807

<https://www.phoenixcontact.com/us/products/2764807>

Environmental product compliance

EU RoHS

Fulfills EU RoHS substance requirements	Yes, No exemptions
---	--------------------

China RoHS

Environment friendly use period (EFUP)	EFUP-E
	No hazardous substances above the limits

EU REACH SVHC

REACH candidate substance (CAS No.)	No substance above 0.1 wt%
-------------------------------------	----------------------------

Phoenix Contact 2026 © - all rights reserved
<https://www.phoenixcontact.com>

Phoenix Contact USA
586 Fulling Mill Road
Middletown, PA 17057, United States
(+717) 944-1300
info@phoenixcon.com