

# EG 22,5-GMF/PC GN - Mounting base housing



2764797

<https://www.phoenixcontact.com/us/products/2764797>

Please be informed that the data shown in this PDF document is generated from our online catalog. Please find the complete data in the user documentation. Our general terms of use for downloads are valid.



The figure shows a fully mounted version of the electronic housing

Component housing, Lower housing part with metal foot catch, without vents, width: 22.5 mm, height: 75 mm, color: green (similar RAL 6021), cross connection: without bus connector, number of positions cross connector: not relevant

## Your advantages

- Tool-free mounting

## Commercial data

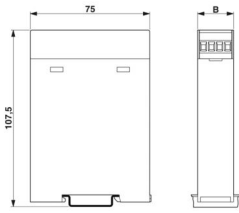
Item number	2764797
Packing unit	10 pc
Minimum order quantity	10 pc
Sales key	AC11
Product key	ACHCGA
GTIN	4017918131852
Weight per piece (including packing)	42.38 g
Weight per piece (excluding packing)	36.108 g
Customs tariff number	85389099
Country of origin	PL

## Technical data

### Product properties

Product type	Lower housing part
Housing type	Component housing
Housing series	EG
Product family	EG...G
Type	Lower housing part closed, housing cover necessary to complete the module
Number of positions	8
Max. number of positions	0)
Ventilation openings present	no

### Dimensions

Dimensional drawing	
Width	22.5 mm
Height	75 mm

### PCB design

PCB thickness	1.4 mm ... 1.8 mm
---------------	-------------------

### Material specifications

Color (Lower housing part)	green (RAL 6021)
Material	PC
Flammability rating according to UL 94	V0

### Environmental and real-life conditions

#### Ambient conditions

Max. IP code to attain	IP20
Ambient temperature (operation)	-40 °C ... 105 °C (depending on power dissipation)
Ambient temperature (storage/transport)	-40 °C ... 70 °C
Ambient temperature (assembly)	-5 °C ... 100 °C

### PCB data

Thickness of the PCB	1.4 mm ... 1.8 mm
----------------------	-------------------

### Mounting

Mounting type	DIN rail mounting
---------------	-------------------

# EG 22,5-GMF/PC GN - Mounting base housing

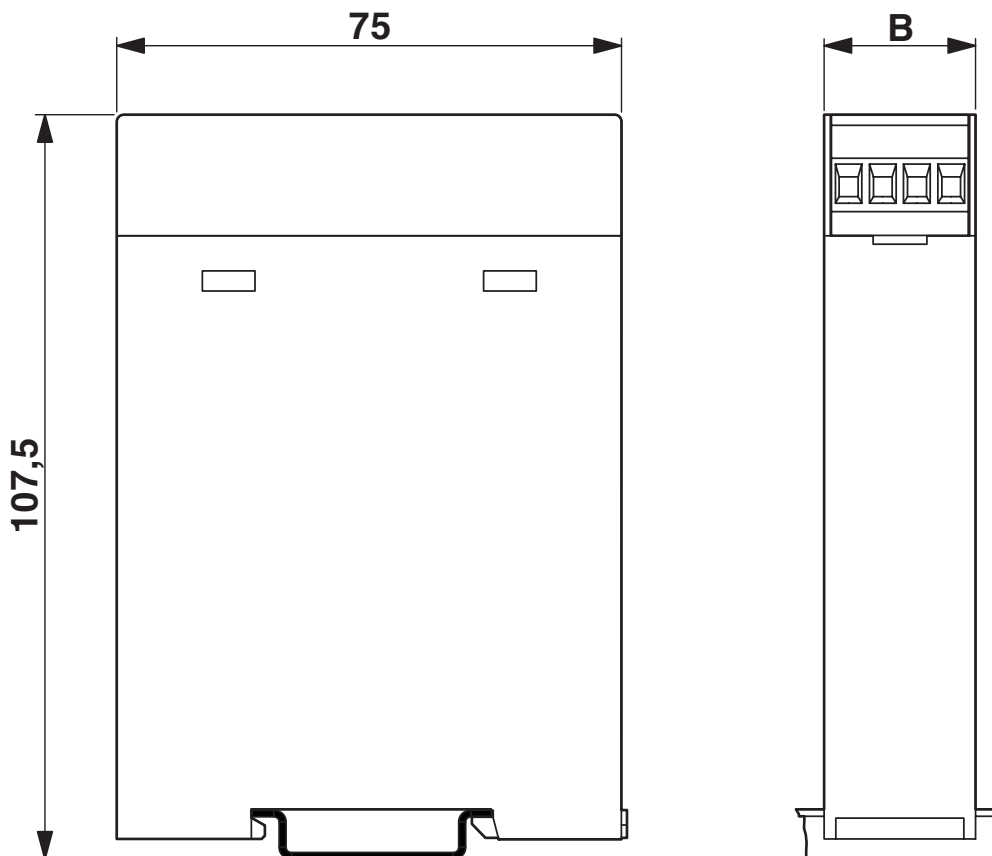
2764797

<https://www.phoenixcontact.com/us/products/2764797>



## Drawings

Dimensional drawing



# EG 22,5-GMF/PC GN - Mounting base housing



2764797

<https://www.phoenixcontact.com/us/products/2764797>



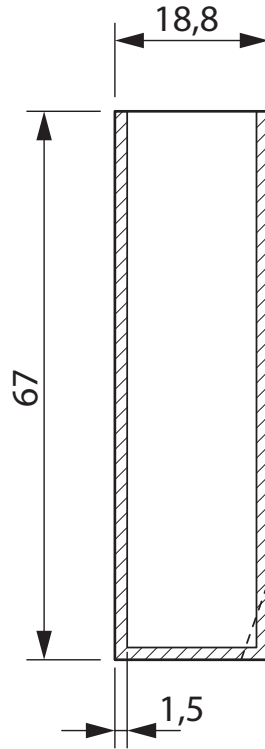
Component mounting side, if the double-level upper part is used

# EG 22,5-GMF/PC GN - Mounting base housing

2764797

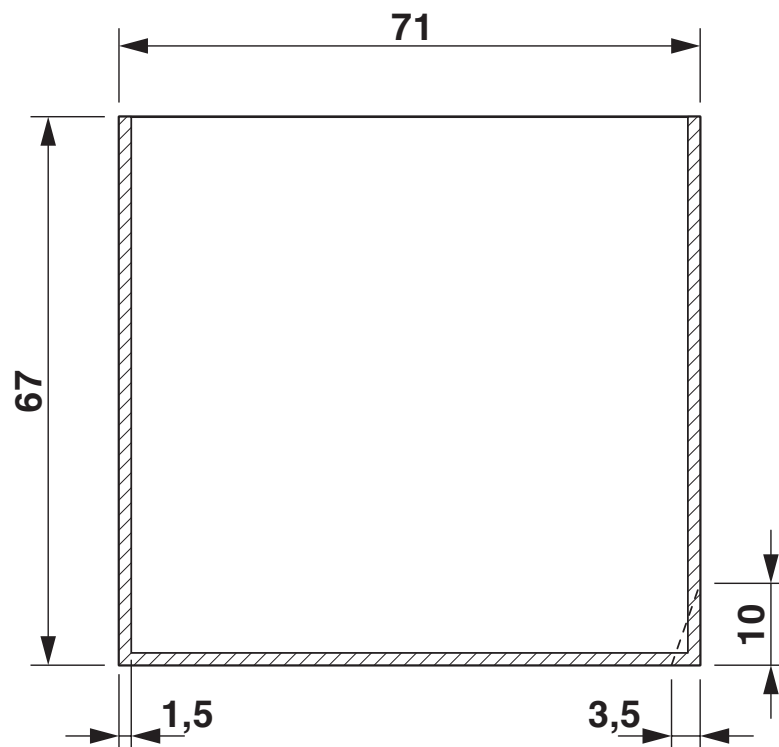
<https://www.phoenixcontact.com/us/products/2764797>

Dimensional drawing



valid for PCB 1, see explosion drawing

Dimensional drawing

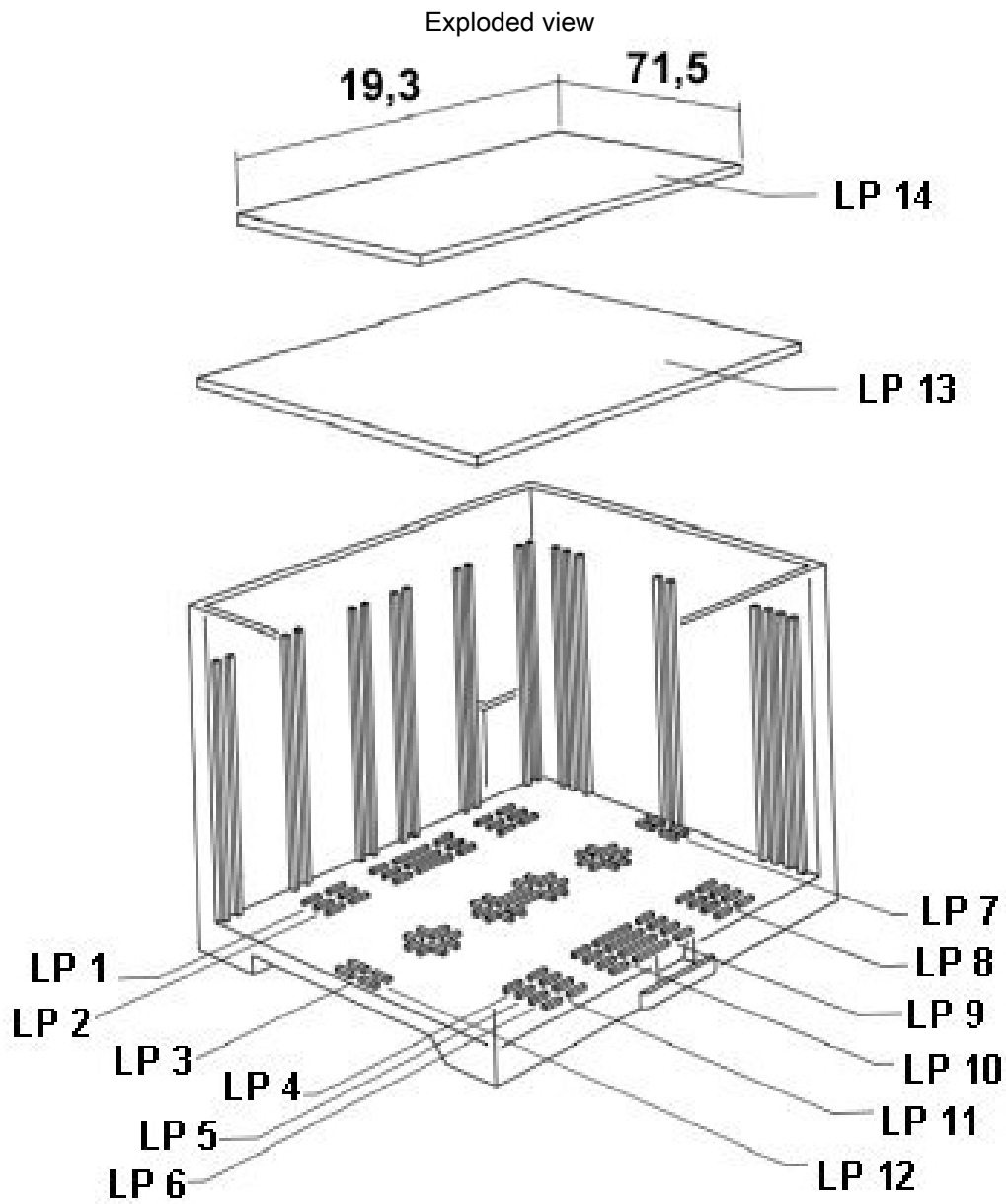


valid for PCB 7, see explosion drawing

# EG 22,5-GMF/PC GN - Mounting base housing

2764797

<https://www.phoenixcontact.com/us/products/2764797>

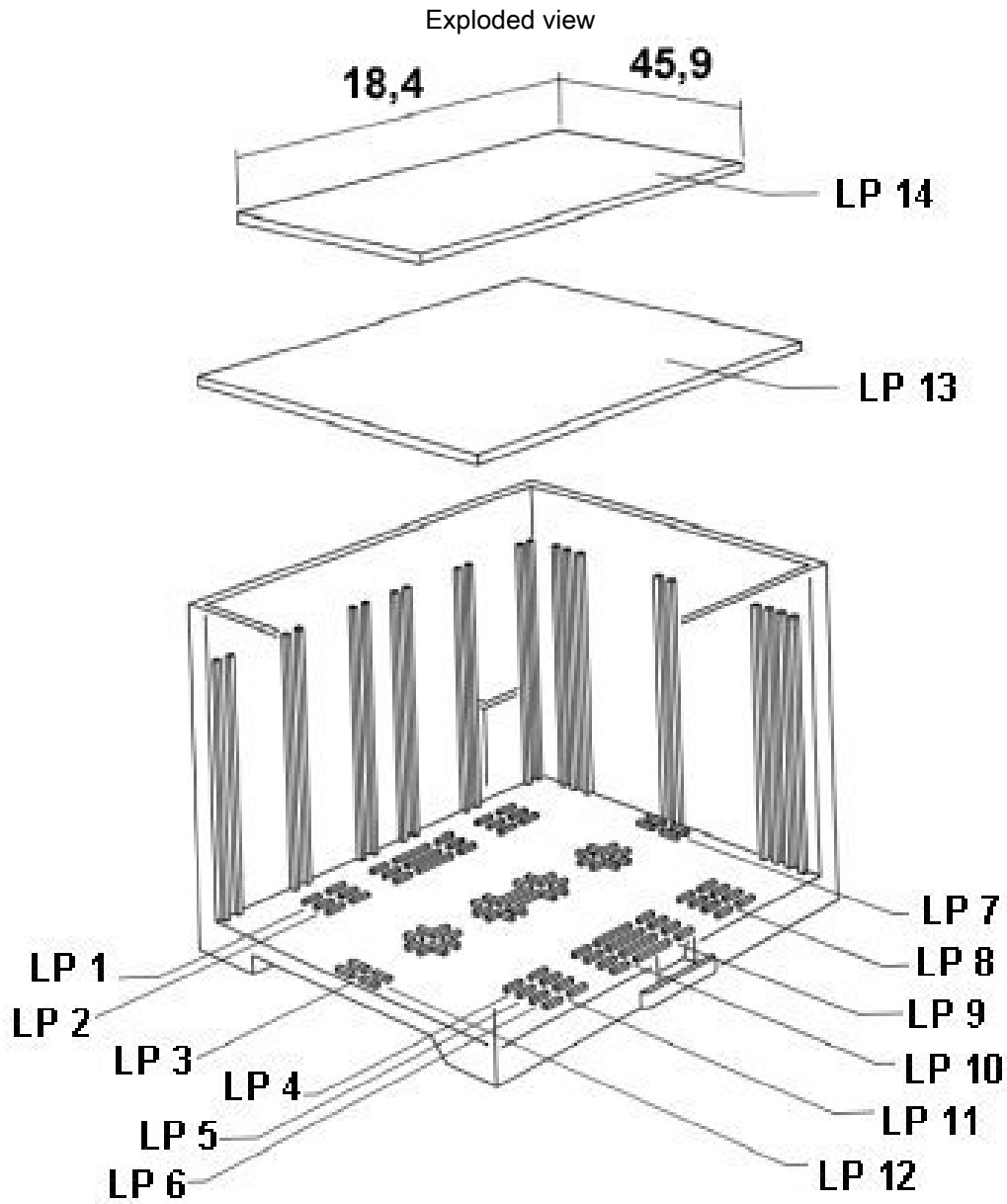


valid for PCB 13

# EG 22,5-GMF/PC GN - Mounting base housing

2764797

<https://www.phoenixcontact.com/us/products/2764797>



valid for PCB 14

# EG 22,5-GMF/PC GN - Mounting base housing



2764797

<https://www.phoenixcontact.com/us/products/2764797>

## Approvals

To download certificates, visit the product detail page: <https://www.phoenixcontact.com/us/products/2764797>



**UL Recognized**

Approval ID: E240868

# EG 22,5-GMF/PC GN - Mounting base housing



2764797

<https://www.phoenixcontact.com/us/products/2764797>

## Classifications

### ECLASS

ECLASS-13.0	27190601
ECLASS-15.0	27190601

### ETIM

ETIM 10.0	EC002779
-----------	----------

### UNSPSC

UNSPSC 21.0	31261500
-------------	----------

# EG 22,5-GMF/PC GN - Mounting base housing



2764797

<https://www.phoenixcontact.com/us/products/2764797>

## Environmental product compliance

### EU RoHS

Fulfills EU RoHS substance requirements	Yes, No exemptions
---	--------------------

### China RoHS

Environment friendly use period (EFUP)	EFUP-E
	No hazardous substances above the limits

### EU REACH SVHC

REACH candidate substance (CAS No.)	No substance above 0.1 wt%
-------------------------------------	----------------------------

### EF3.1 Climate Change

CO2e kg	0.179 kg CO2e
---------	---------------

Phoenix Contact 2026 © - all rights reserved  
<https://www.phoenixcontact.com>

Phoenix Contact USA  
586 Fulling Mill Road  
Middletown, PA 17057, United States  
(+717) 944-1300  
[info@phoenixcon.com](mailto:info@phoenixcon.com)