

# EG 90-GP/ABS BU - Electronics housing



2764742

<https://www.phoenixcontact.com/us/products/2764742>

Please be informed that the data shown in this PDF document is generated from our online catalog. Please find the complete data in the user documentation. Our general terms of use for downloads are valid.



Housing base, with snap foot and test opening with side cover

The figure shows fully mounted versions of the electronic housing, in green

## Commercial data

Item number	2764742
Packing unit	10 pc
Minimum order quantity	1 pc
Product key	ACHCGA
GTIN	4017918273354
Weight per piece (including packing)	93.79 g
Weight per piece (excluding packing)	69.138 g
Country of origin	DE

2764742

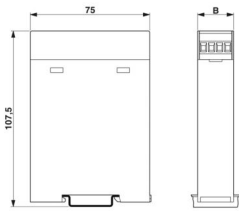
<https://www.phoenixcontact.com/us/products/2764742>

## Technical data

### Product properties

Housing type	Component housing
Type	Lower housing parts with test opening with side cover, housing cover necessary to complete the module
Number of positions	34

### Dimensions

Dimensional drawing	
Width	90 mm
Height NS 35/7,5	107.5 mm
Depth	75 mm
Length	75 mm

### Material specifications

Flammability rating according to UL 94	HB
Housing material	Acryl butadiene styrene (ABS)

### Environmental and real-life conditions

#### Ambient conditions

Ambient temperature (operation)	-40 °C ... 80 °C
---------------------------------	------------------

# EG 90-GP/ABS BU - Electronics housing

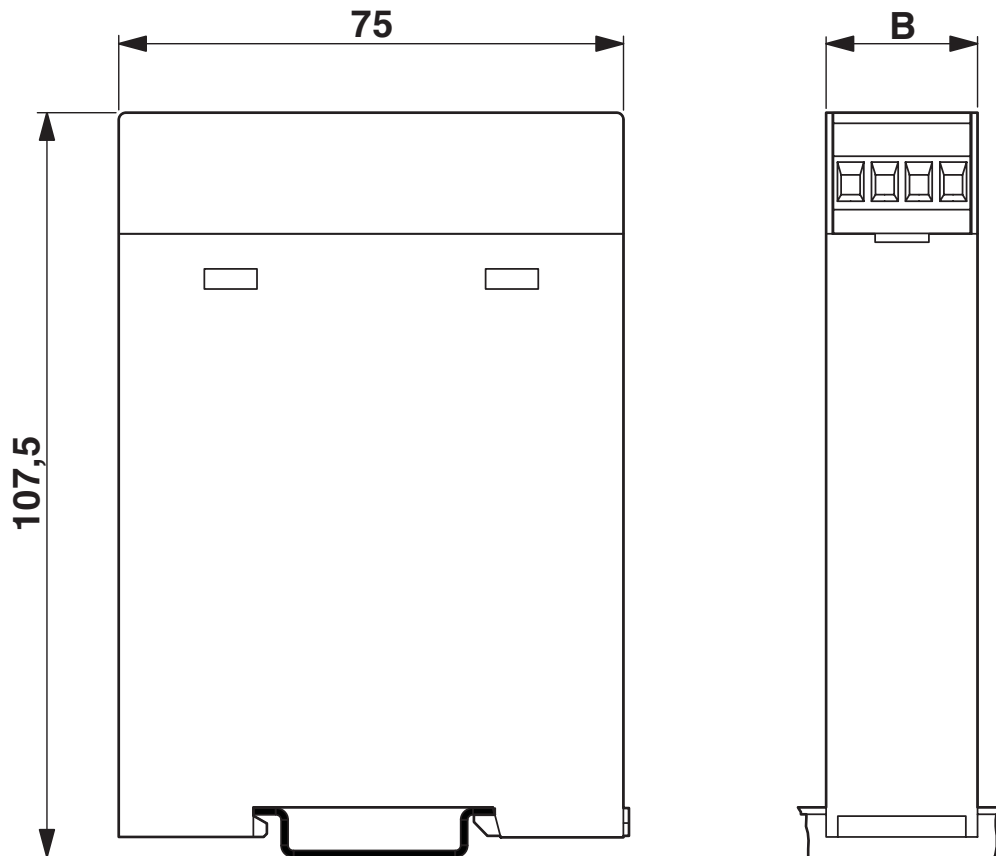
2764742

<https://www.phoenixcontact.com/us/products/2764742>



## Drawings

Dimensional drawing



2764742

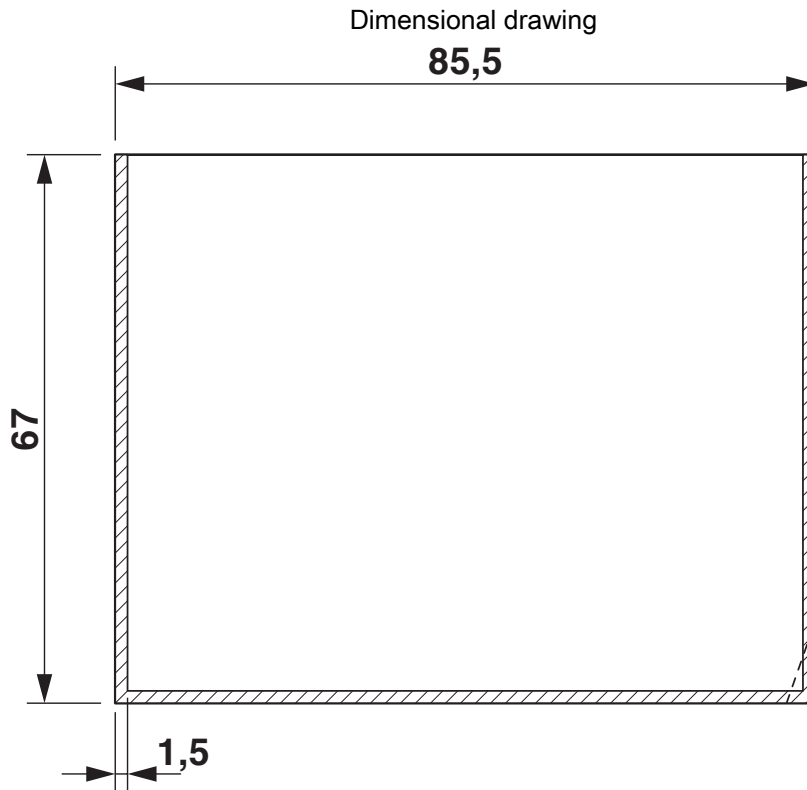
<https://www.phoenixcontact.com/us/products/2764742>



Component mounting side, if the double-level upper part is used

2764742

<https://www.phoenixcontact.com/us/products/2764742>



valid for PCB 1; 2; 3; 4; 5 und 6, see explosion drawing



valid for PCB 7; 8; 11 and 12, see explosion drawing

# EG 90-GP/ABS BU - Electronics housing

2764742

<https://www.phoenixcontact.com/us/products/2764742>



valid for PCB 9 and 10, see explosion drawing

# EG 90-GP/ABS BU - Electronics housing

2764742

<https://www.phoenixcontact.com/us/products/2764742>



valid for PCB 13

# EG 90-GP/ABS BU - Electronics housing

2764742

<https://www.phoenixcontact.com/us/products/2764742>



valid for PCB 14

2764742

<https://www.phoenixcontact.com/us/products/2764742>

## Environmental product compliance

### China RoHS

Environment friendly use period (EFUP)	EFUP-E
	No hazardous substances above the limits

### EU REACH SVHC

REACH candidate substance (CAS No.)	No substance above 0.1 wt%
-------------------------------------	----------------------------

Phoenix Contact 2026 © - all rights reserved  
<https://www.phoenixcontact.com>

Phoenix Contact USA  
586 Fulling Mill Road  
Middletown, PA 17057, United States  
(+717) 944-1300  
[info@phoenixcon.com](mailto:info@phoenixcon.com)