

# EG 67,5-GP/ABS GN - Electronics housing



2764302

<https://www.phoenixcontact.com/us/products/2764302>

Please be informed that the data shown in this PDF document is generated from our online catalog. Please find the complete data in the user documentation. Our general terms of use for downloads are valid.



Electronics housing ,Component housing, length: 75 mm, without vents, Lower housing part, with snap-on foot and test opening with side cover, cross connection: without bus connector, color: green, width: 67.5 mm, height: 107.5 mm, number of positions cross connector: not relevant

The figure shows a fully mounted version of the electronic housing

## Commercial data

Item number	2764302
Packing unit	5 pc
Sales key	AC11
Product key	ACHCGA
GTIN	4017918065935
Weight per piece (including packing)	79.67 g
Weight per piece (excluding packing)	52.12 g
Customs tariff number	85389099
Country of origin	DE

2764302

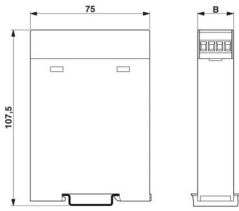
<https://www.phoenixcontact.com/us/products/2764302>

## Technical data

### Product properties

Housing type	Component housing
Type	Lower housing parts with test opening with side cover, housing cover necessary to complete the module
Number of positions	26

### Dimensions

Dimensional drawing	
Width	67.5 mm
Installed height	107.5 mm
Height NS 35/7,5	107.5 mm
Depth	75 mm
Length	75 mm

### Material specifications

Color	green
Flammability rating according to UL 94	HB
Housing material	Acryl butadiene styrene (ABS)

### Environmental and real-life conditions

#### Ambient conditions

Ambient temperature (operation)	-40 °C ... 80 °C
---------------------------------	------------------

### Mounting

Mounting type	DIN rail mounting
---------------	-------------------

# EG 67,5-GP/ABS GN - Electronics housing

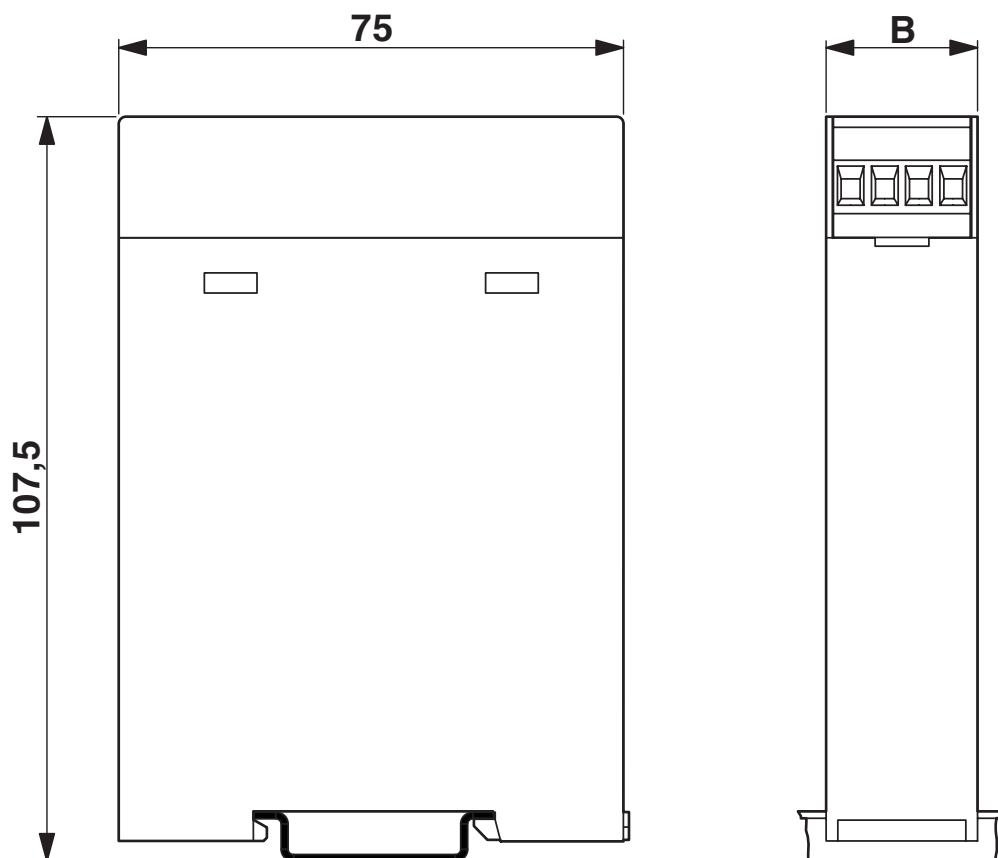
2764302

<https://www.phoenixcontact.com/us/products/2764302>



## Drawings

Dimensional drawing



2764302

<https://www.phoenixcontact.com/us/products/2764302>

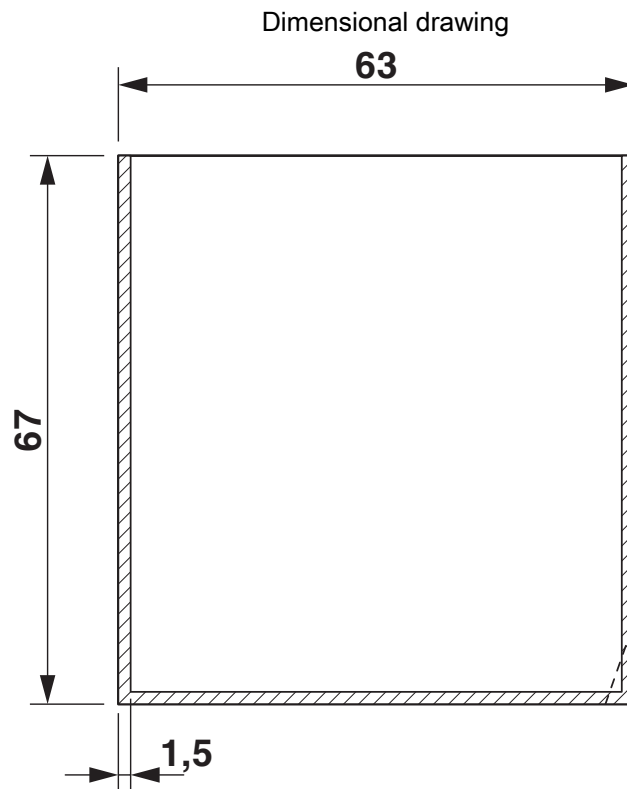


Component mounting side, if the double-level upper part is used

# EG 67,5-GP/ABS GN - Electronics housing

2764302

<https://www.phoenixcontact.com/us/products/2764302>



valid for PCB 1; 2; 3; 4; 5 und 6, see explosion drawing



valid for PCB 7; 8; 11 and 12, see explosion drawing

# EG 67,5-GP/ABS GN - Electronics housing

2764302

<https://www.phoenixcontact.com/us/products/2764302>



valid for PCB 9, see explosion drawing

# EG 67,5-GP/ABS GN - Electronics housing

2764302

<https://www.phoenixcontact.com/us/products/2764302>



valid for PCB 13

# EG 67,5-GP/ABS GN - Electronics housing

2764302

<https://www.phoenixcontact.com/us/products/2764302>



valid for PCB 14

# EG 67,5-GP/ABS GN - Electronics housing



2764302

<https://www.phoenixcontact.com/us/products/2764302>

## Environmental product compliance

### EU RoHS

Fulfills EU RoHS substance requirements	Yes, No exemptions
---	--------------------

### China RoHS

Environment friendly use period (EFUP)	EFUP-E
	No hazardous substances above the limits

### EU REACH SVHC

REACH candidate substance (CAS No.)	No substance above 0.1 wt%
-------------------------------------	----------------------------

Phoenix Contact 2026 © - all rights reserved  
<https://www.phoenixcontact.com>

Phoenix Contact USA  
586 Fulling Mill Road  
Middletown, PA 17057, United States  
(+717) 944-1300  
[info@phoenixcon.com](mailto:info@phoenixcon.com)