

# EG 45-A/ABS GY - Upper housing part

2764250

<https://www.phoenixcontact.com/us/products/2764250>

Please be informed that the data shown in this PDF document is generated from our online catalog. Please find the complete data in the user documentation. Our general terms of use for downloads are valid.



Component housing, Cover, for two-sided connection, width: 45 mm, height: 75 mm, color: window gray (similar RAL 7040)

The figure shows fully mounted versions of the electronic housing, in green

## Your advantages

- Tool-free mounting

## Commercial data

Item number	2764250
Packing unit	10 pc
Minimum order quantity	10 pc
Note	Made to order (non-returnable)
Sales key	AC11
Product key	ACHCGA
GTIN	4017918245108
Weight per piece (including packing)	14.6 g
Weight per piece (excluding packing)	10.9 g
Customs tariff number	85389099
Country of origin	PL

# EG 45-A/ABS GY - Upper housing part

2764250

<https://www.phoenixcontact.com/us/products/2764250>

## Technical data

### Product properties

Product type	Upper housing part
Housing type	Component housing
Housing series	EG
Product family	EG...A
Number of positions	16
Number (Connection openings)	2
Ventilation openings present	no

### Dimensions

Dimensional drawing	
Width	45 mm
Height	75 mm

### PCB design

PCB thickness	1.4 mm ... 1.8 mm
---------------	-------------------

### Material specifications

Color (Upper housing part)	window gray (RAL 7040)
Material Upper housing part	ABS
Flammability rating according to UL 94	HB

### Environmental and real-life conditions

#### Ambient conditions

Max. IP code to attain	IP20
Ambient temperature (operation)	-40 °C ... 80 °C (depending on power dissipation)
Ambient temperature (storage/transport)	-40 °C ... 55 °C
Ambient temperature (assembly)	-5 °C ... 80 °C

### PCB data

Thickness of the PCB	1.4 mm ... 1.8 mm
----------------------	-------------------

### Mounting

Mounting type	Snap in
---------------	---------

# EG 45-A/ABS GY - Upper housing part

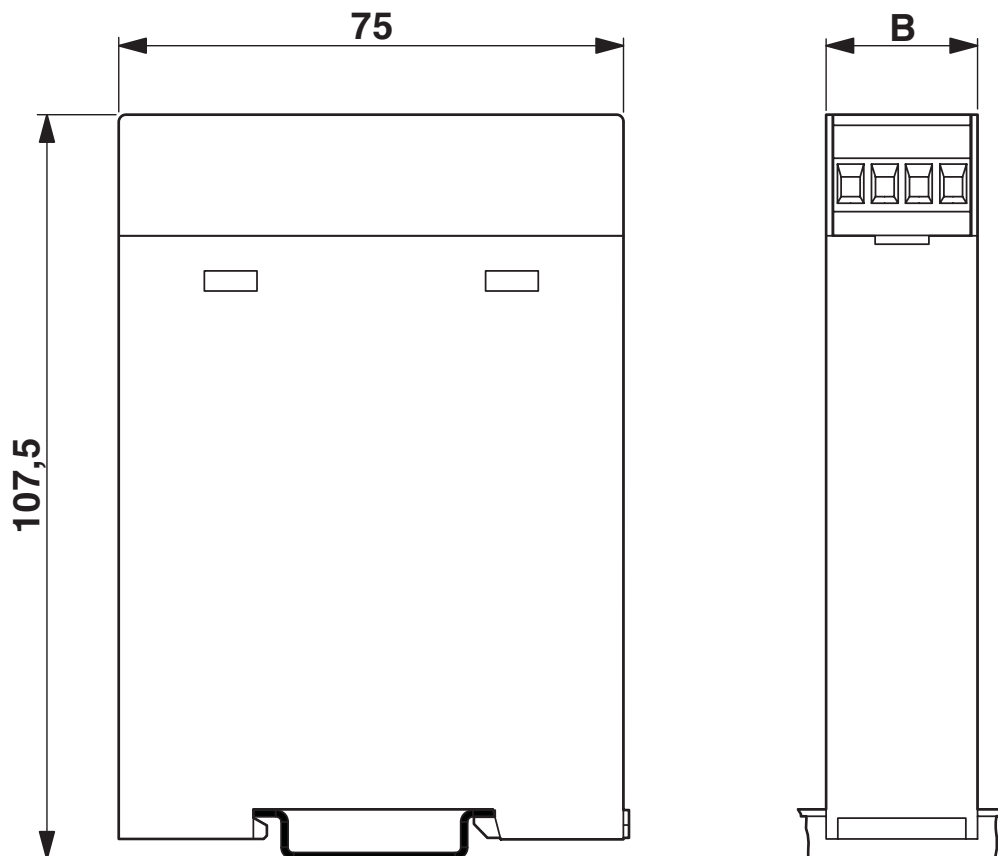
2764250

<https://www.phoenixcontact.com/us/products/2764250>



## Drawings

Dimensional drawing



# EG 45-A/ABS GY - Upper housing part



2764250

<https://www.phoenixcontact.com/us/products/2764250>

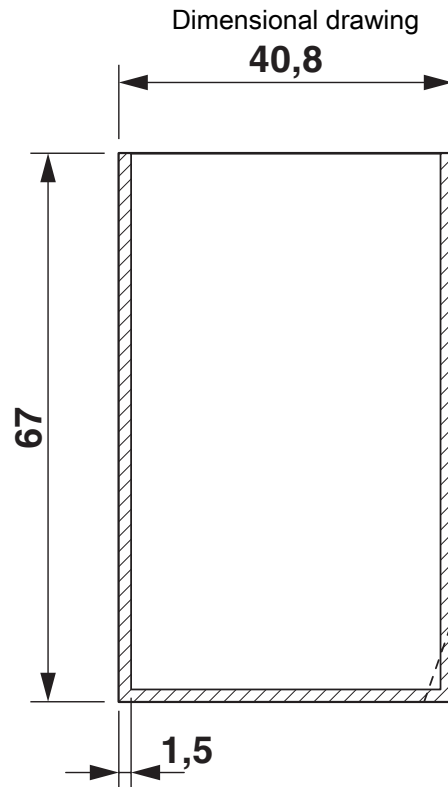


Component mounting side, if the double-level upper part is used

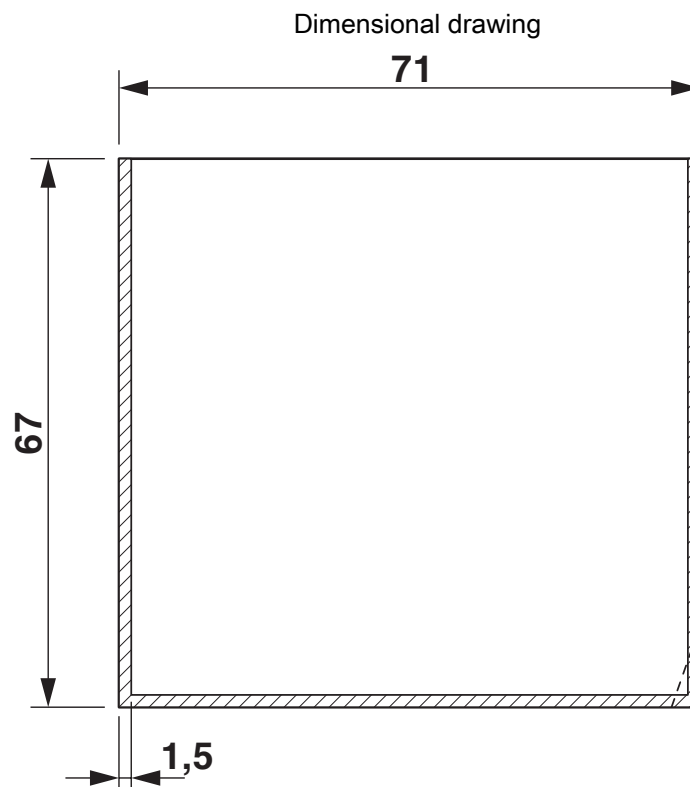
# EG 45-A/ABS GY - Upper housing part

2764250

<https://www.phoenixcontact.com/us/products/2764250>



valid for PCB 1; 3; 5 and 6, see explosion drawing



valid for PCB 7 and 12, see explosion drawing

# EG 45-A/ABS GY - Upper housing part

2764250

<https://www.phoenixcontact.com/us/products/2764250>



valid for PCB 10, see explosion drawing

# EG 45-A/ABS GY - Upper housing part

2764250

<https://www.phoenixcontact.com/us/products/2764250>



valid for PCB 13

# EG 45-A/ABS GY - Upper housing part

2764250

<https://www.phoenixcontact.com/us/products/2764250>



valid for PCB 14

# EG 45-A/ABS GY - Upper housing part



2764250

<https://www.phoenixcontact.com/us/products/2764250>

## Approvals

To download certificates, visit the product detail page: <https://www.phoenixcontact.com/us/products/2764250>



**UL Recognized**

Approval ID: E240868

# EG 45-A/ABS GY - Upper housing part



2764250

<https://www.phoenixcontact.com/us/products/2764250>

## Classifications

### ECLASS

ECLASS-13.0	27190603
ECLASS-15.0	27190603

### ETIM

ETIM 10.0	EC002779
-----------	----------

### UNSPSC

UNSPSC 21.0	31261500
-------------	----------

# EG 45-A/ABS GY - Upper housing part



2764250

<https://www.phoenixcontact.com/us/products/2764250>

## Environmental product compliance

### EU RoHS

Fulfills EU RoHS substance requirements	Yes, No exemptions
---	--------------------

### China RoHS

Environment friendly use period (EFUP)	EFUP-E
	No hazardous substances above the limits

### EU REACH SVHC

REACH candidate substance (CAS No.)	No substance above 0.1 wt%
-------------------------------------	----------------------------

### EF3.1 Climate Change

CO2e kg	0.075 kg CO2e
---------	---------------

Phoenix Contact 2026 © - all rights reserved  
<https://www.phoenixcontact.com>

Phoenix Contact USA  
586 Fulling Mill Road  
Middletown, PA 17057, United States  
(+717) 944-1300  
[info@phoenixcon.com](mailto:info@phoenixcon.com)