

# EG 45-G/ABS GY - Mounting base housing



2764108

<https://www.phoenixcontact.com/us/products/2764108>

Please be informed that the data shown in this PDF document is generated from our online catalog. Please find the complete data in the user documentation. Our general terms of use for downloads are valid.

Lower housing part, with snap-on foot



The figure shows the fully mounted version of the electronic housing, in green

## Your advantages

- Tool-free mounting

## Commercial data

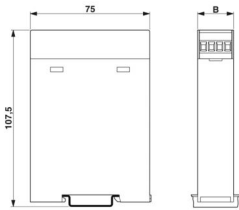
|                                      |               |
|--------------------------------------|---------------|
| Item number                          | 2764108       |
| Packing unit                         | 10 pc         |
| Minimum order quantity               | 10 pc         |
| Sales key                            | AC11          |
| Product key                          | ACHCGA        |
| GTIN                                 | 4017918368678 |
| Weight per piece (including packing) | 54.22 g       |
| Weight per piece (excluding packing) | 54.67 g       |
| Customs tariff number                | 85389099      |
| Country of origin                    | PL            |

## Technical data

### Product properties

|                              |   |
|------------------------------|---|
| Product type                 | Lower housing part  |
| Housing type                 | Component housing   |
| Housing series               | EG  |
| Product family               | EG...G  |
| Type                         | Lower housing part closed, housing cover necessary to complete the module |
| Number of positions          | 16  |
| Max. number of positions     | 0)  |
| Ventilation openings present | no  |

### Dimensions

|                     |   |
|---------------------|---|
| Dimensional drawing |  |
| Width               | 45 mm   |
| Height              | 75 mm   |

### PCB design

|               |                   |
|---------------|-------------------|
| PCB thickness | 1.4 mm ... 1.8 mm |
|---------------|-------------------|

### Material specifications

|  |                        |
|--|------------------------|
| Color (Lower housing part)             | window gray (RAL 7040) |
| Material                               | ABS                    |
| Flammability rating according to UL 94 | HB                     |
| Surface characteristics                | untreated              |

### Environmental and real-life conditions

#### Ambient conditions

|   |   |
|---|---|
| Max. IP code to attain                  | IP20  |
| Ambient temperature (operation)         | -40 °C ... 80 °C (depending on power dissipation) |
| Ambient temperature (storage/transport) | -40 °C ... 55 °C                                  |
| Ambient temperature (assembly)          | -5 °C ... 80 °C                                   |

### PCB data

|                      |                   |
|----------------------|-------------------|
| Thickness of the PCB | 1.4 mm ... 1.8 mm |
|----------------------|-------------------|

### Mounting

# EG 45-G/ABS GY - Mounting base housing

2764108

<https://www.phoenixcontact.com/us/products/2764108>



| Mounting type | DIN rail mounting |
|---------------|-------------------|
|---------------|-------------------|

# EG 45-G/ABS GY - Mounting base housing

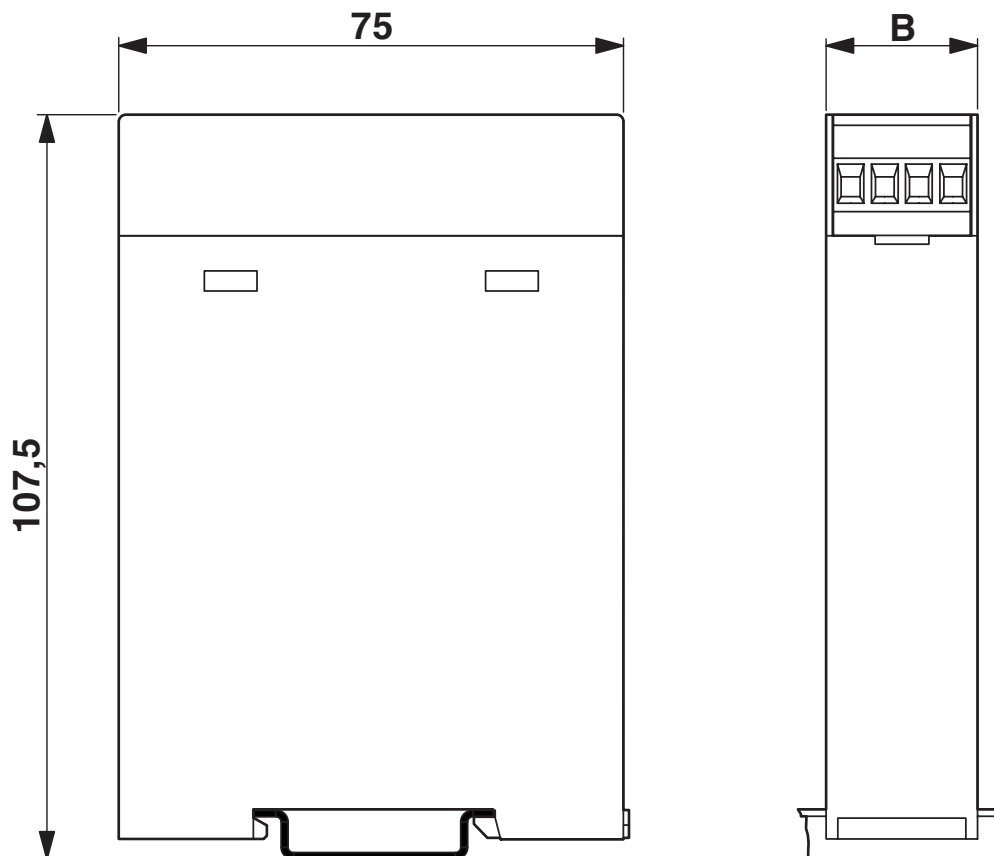
2764108

<https://www.phoenixcontact.com/us/products/2764108>



## Drawings

Dimensional drawing

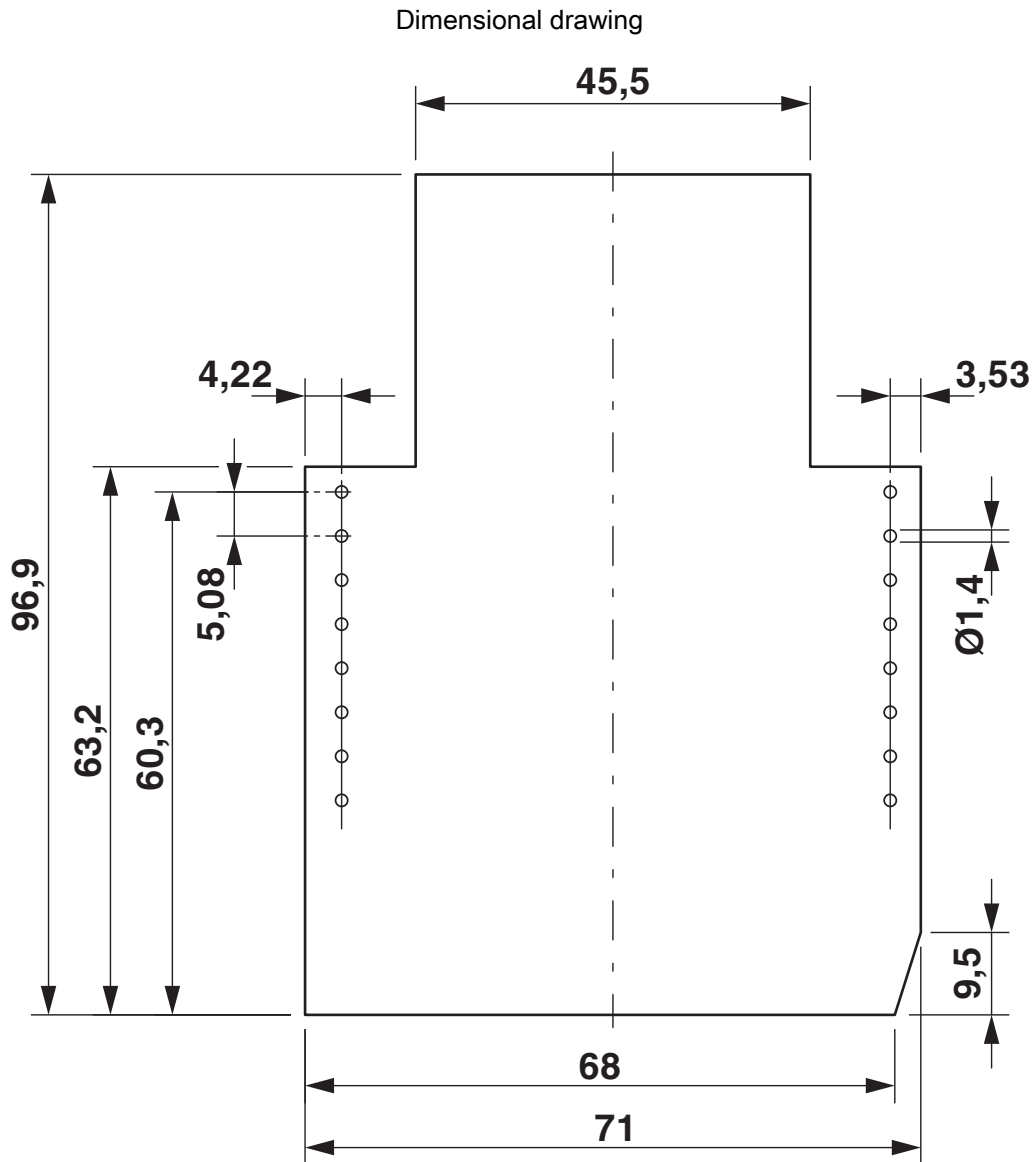


# EG 45-G/ABS GY - Mounting base housing



2764108

<https://www.phoenixcontact.com/us/products/2764108>

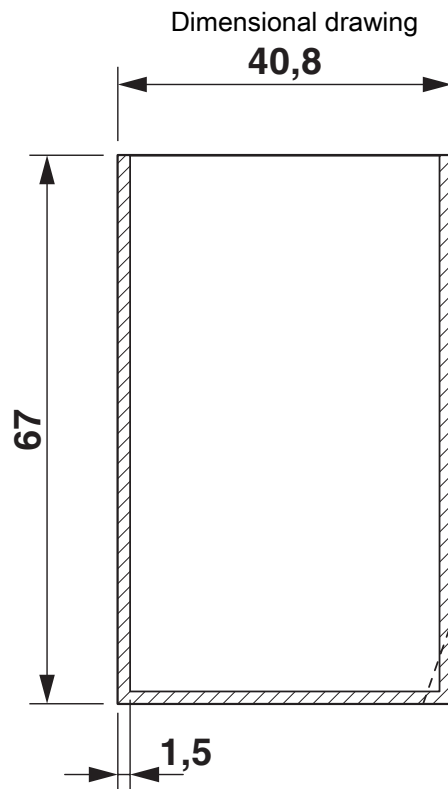


Component mounting side, if the double-level upper part is used

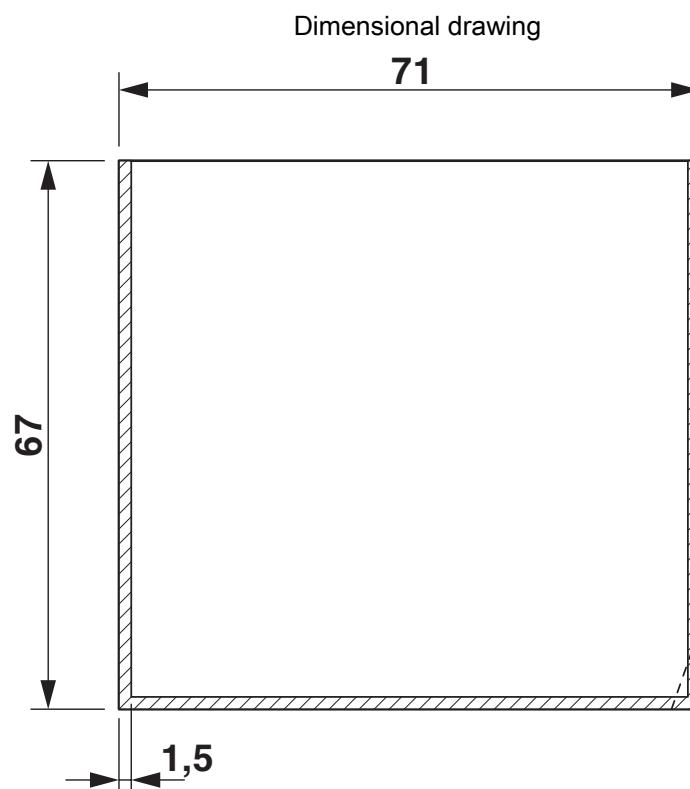
# EG 45-G/ABS GY - Mounting base housing

2764108

<https://www.phoenixcontact.com/us/products/2764108>



valid for PCB 1; 3; 5 and 6, see explosion drawing

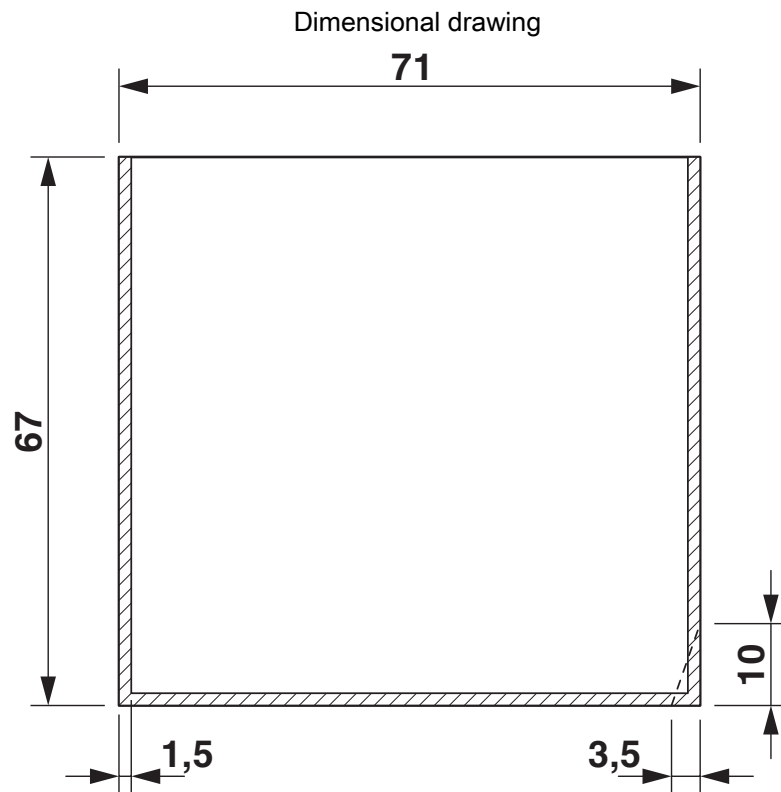


valid for PCB 7 and 12, see explosion drawing

# EG 45-G/ABS GY - Mounting base housing

2764108

<https://www.phoenixcontact.com/us/products/2764108>

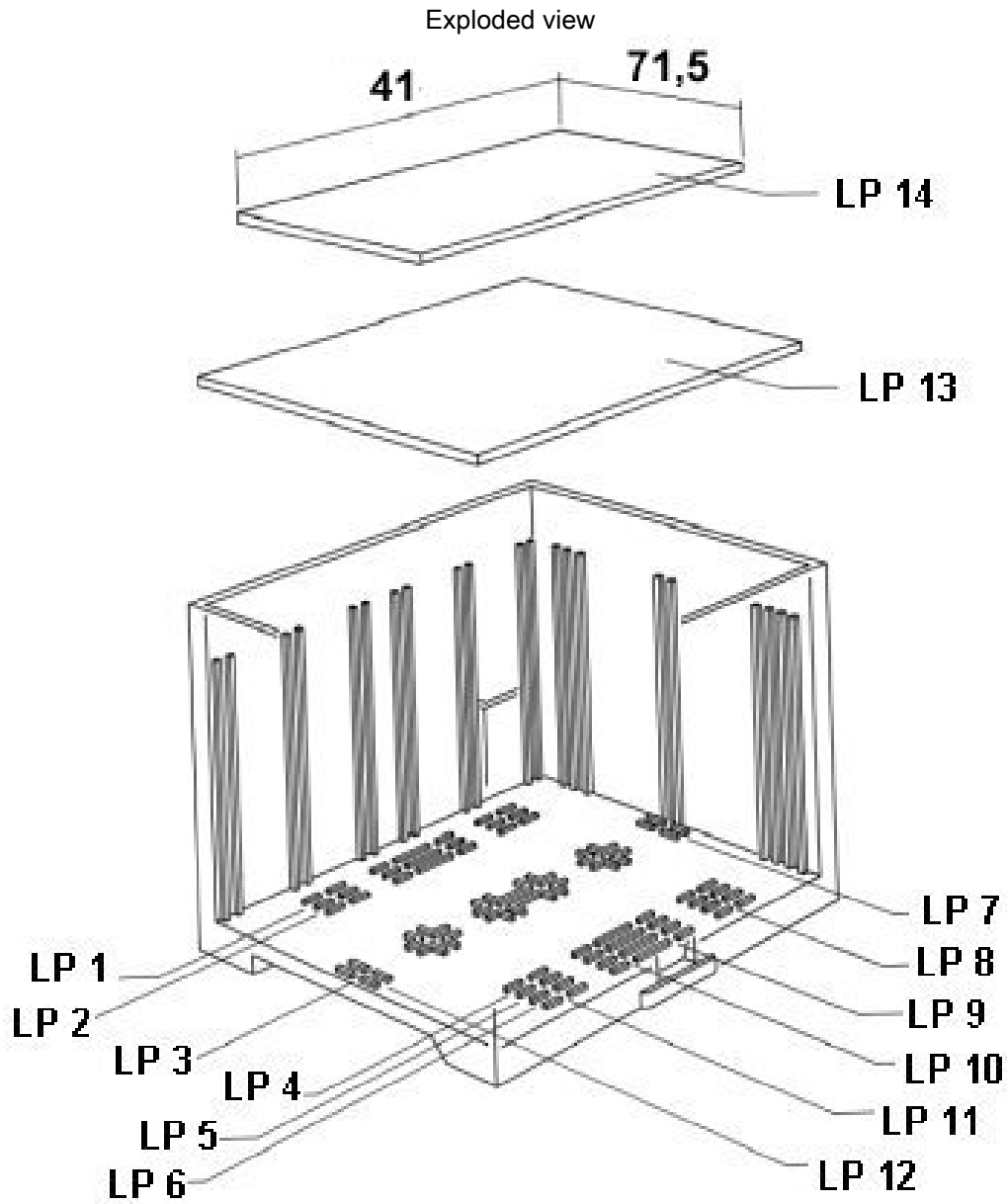


valid for PCB 10, see explosion drawing

# EG 45-G/ABS GY - Mounting base housing

2764108

<https://www.phoenixcontact.com/us/products/2764108>



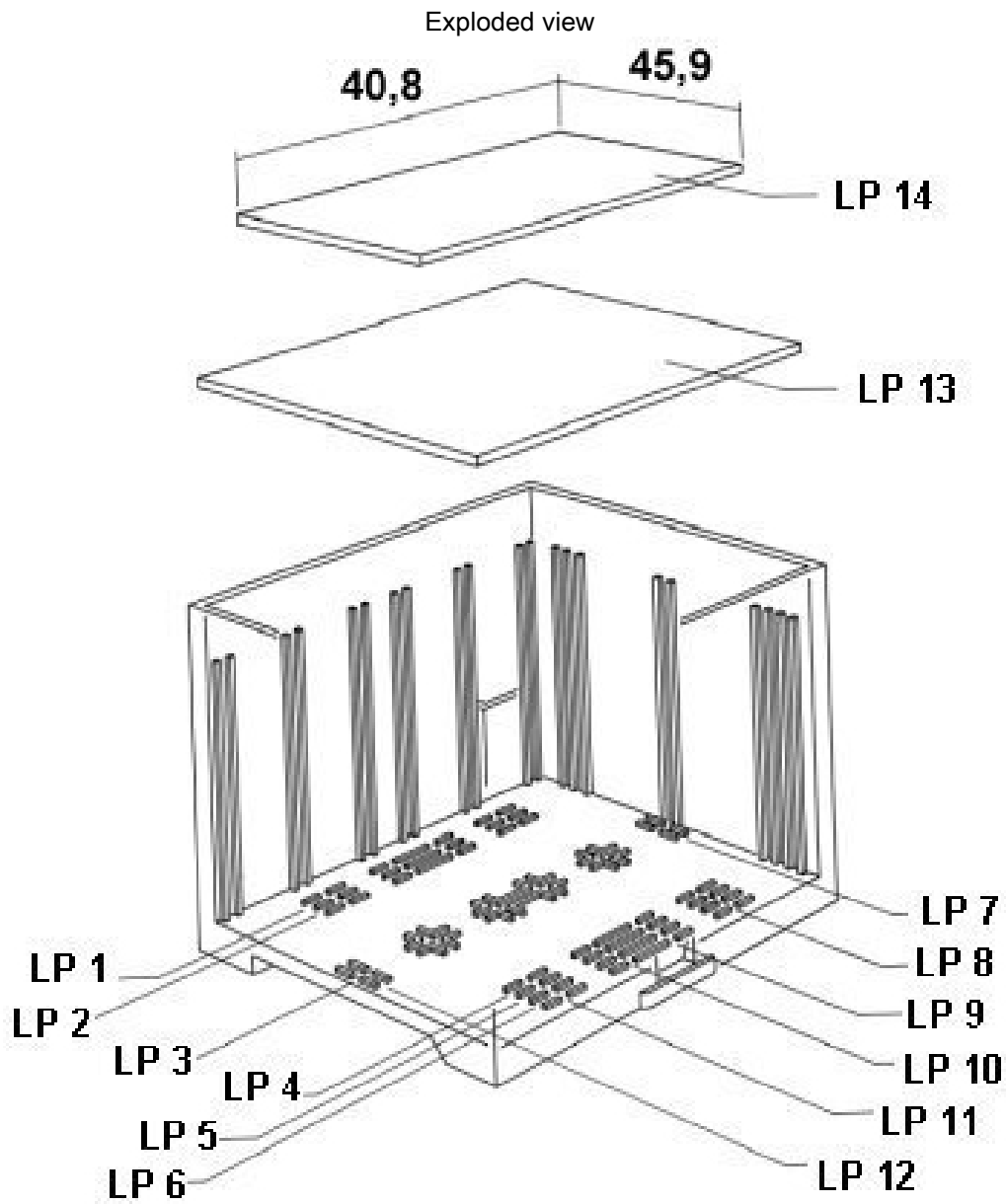
valid for PCB 13



# EG 45-G/ABS GY - Mounting base housing

2764108

<https://www.phoenixcontact.com/us/products/2764108>



valid for PCB 14

# EG 45-G/ABS GY - Mounting base housing



2764108

<https://www.phoenixcontact.com/us/products/2764108>

## Approvals

To download certificates, visit the product detail page: <https://www.phoenixcontact.com/us/products/2764108>



**UL Recognized**

Approval ID: E240868

# EG 45-G/ABS GY - Mounting base housing



2764108

<https://www.phoenixcontact.com/us/products/2764108>

## Classifications

### ECLASS

|             |          |
|-------------|----------|
| ECLASS-13.0 | 27190601 |
| ECLASS-15.0 | 27190601 |

### ETIM

|           |          |
|-----------|----------|
| ETIM 10.0 | EC002779 |
|-----------|----------|

### UNSPSC

|             |          |
|-------------|----------|
| UNSPSC 21.0 | 31261500 |
|-------------|----------|

# EG 45-G/ABS GY - Mounting base housing



2764108

<https://www.phoenixcontact.com/us/products/2764108>

## Environmental product compliance

### EU RoHS

|   |                    |
|---|--------------------|
| Fulfills EU RoHS substance requirements | Yes, No exemptions |
|---|--------------------|

### China RoHS

|  |  |
|--|--|
| Environment friendly use period (EFUP) | EFUP-E                                   |
|  | No hazardous substances above the limits |

### EU REACH SVHC

|                                     |                            |
|-------------------------------------|----------------------------|
| REACH candidate substance (CAS No.) | No substance above 0.1 wt% |
|-------------------------------------|----------------------------|

Phoenix Contact 2026 © - all rights reserved  
<https://www.phoenixcontact.com>

Phoenix Contact USA  
586 Fulling Mill Road  
Middletown, PA 17057, United States  
(+717) 944-1300  
[info@phoenixcon.com](mailto:info@phoenixcon.com)