

EG 22,5-G/ABS GN - Mounting base housing



2764043

<https://www.phoenixcontact.com/us/products/2764043>

Please be informed that the data shown in this PDF document is generated from our online catalog. Please find the complete data in the user documentation. Our general terms of use for downloads are valid.



Component housing, Lower housing part, with snap-on foot, without vents, width: 22.5 mm, height: 75 mm, color: green (similar RAL 6021), cross connection: without bus connector, number of positions cross connector: not relevant

The figure shows the fully mounted version of the electronic housing, in green

Your advantages

- Tool-free mounting

Commercial data

Item number	2764043
Packing unit	10 pc
Minimum order quantity	10 pc
Sales key	AC11
Product key	ACHCGA
GTIN	4017918065805
Weight per piece (including packing)	35.4 g
Weight per piece (excluding packing)	27.636 g
Customs tariff number	85389099
Country of origin	PL

EG 22,5-G/ABS GN - Mounting base housing

2764043

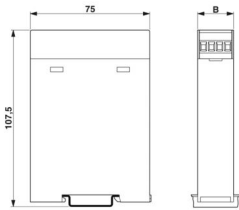
<https://www.phoenixcontact.com/us/products/2764043>

Technical data

Product properties

Product type	Lower housing part
Housing type	Component housing
Housing series	EG
Product family	EG...G
Type	Lower housing part closed, housing cover necessary to complete the module
Number of positions	8
Max. number of positions	0)
Ventilation openings present	no

Dimensions

Dimensional drawing	
Width	22.5 mm
Height	75 mm

PCB design

PCB thickness	1.4 mm ... 1.8 mm
---------------	-------------------

Material specifications

Color (Lower housing part)	green (RAL 6021)
Material	ABS
Flammability rating according to UL 94	HB
Surface characteristics	untreated

Environmental and real-life conditions

Power dissipation single housing for 20 °C

Ambient temperature	20 °C
Reduction factor	1

Power dissipation single housing for 30 °C

Ambient temperature	30 °C
Reduction factor	0.8

Power dissipation single housing for 40 °C

Ambient temperature	40 °C
Reduction factor	0.62

EG 22,5-G/ABS GN - Mounting base housing



2764043

<https://www.phoenixcontact.com/us/products/2764043>

Power dissipation single housing for 50 °C

Ambient temperature	50 °C
Reduction factor	0.47

Power dissipation single housing for 60 °C

Ambient temperature	60 °C
Reduction factor	0.3

Ambient conditions

Max. IP code to attain	IP20
Ambient temperature (operation)	-40 °C ... 80 °C (depending on power dissipation)
Ambient temperature (storage/transport)	-40 °C ... 55 °C
Ambient temperature (assembly)	-5 °C ... 80 °C

PCB data

Thickness of the PCB	1.4 mm ... 1.8 mm
----------------------	-------------------

Mounting

Mounting type	DIN rail mounting
---------------	-------------------

EG 22,5-G/ABS GN - Mounting base housing

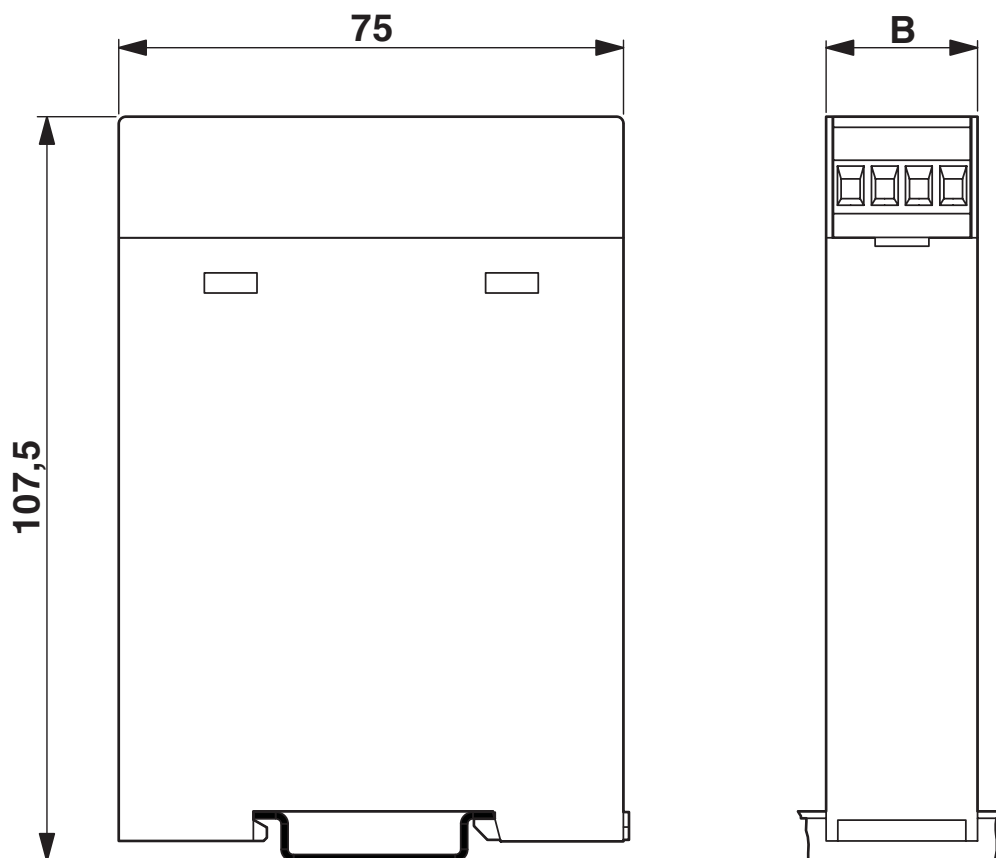
2764043

<https://www.phoenixcontact.com/us/products/2764043>



Drawings

Dimensional drawing



EG 22,5-G/ABS GN - Mounting base housing

2764043

<https://www.phoenixcontact.com/us/products/2764043>



Component mounting side, if the double-level upper part is used

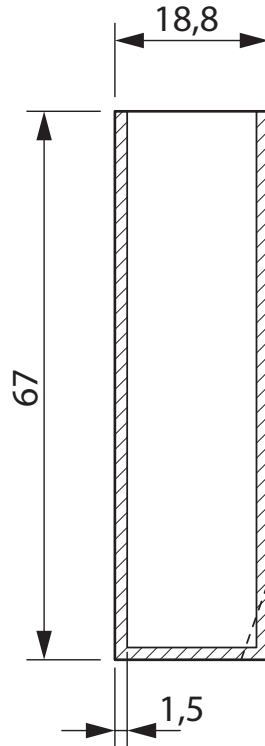
EG 22,5-G/ABS GN - Mounting base housing

2764043

<https://www.phoenixcontact.com/us/products/2764043>

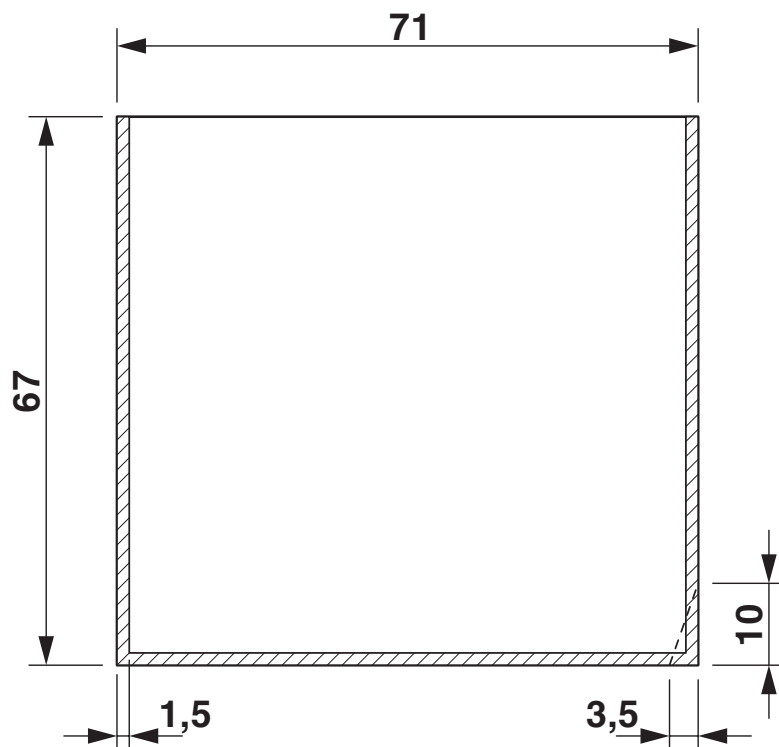


Dimensional drawing



valid for PCB 1, see explosion drawing

Dimensional drawing

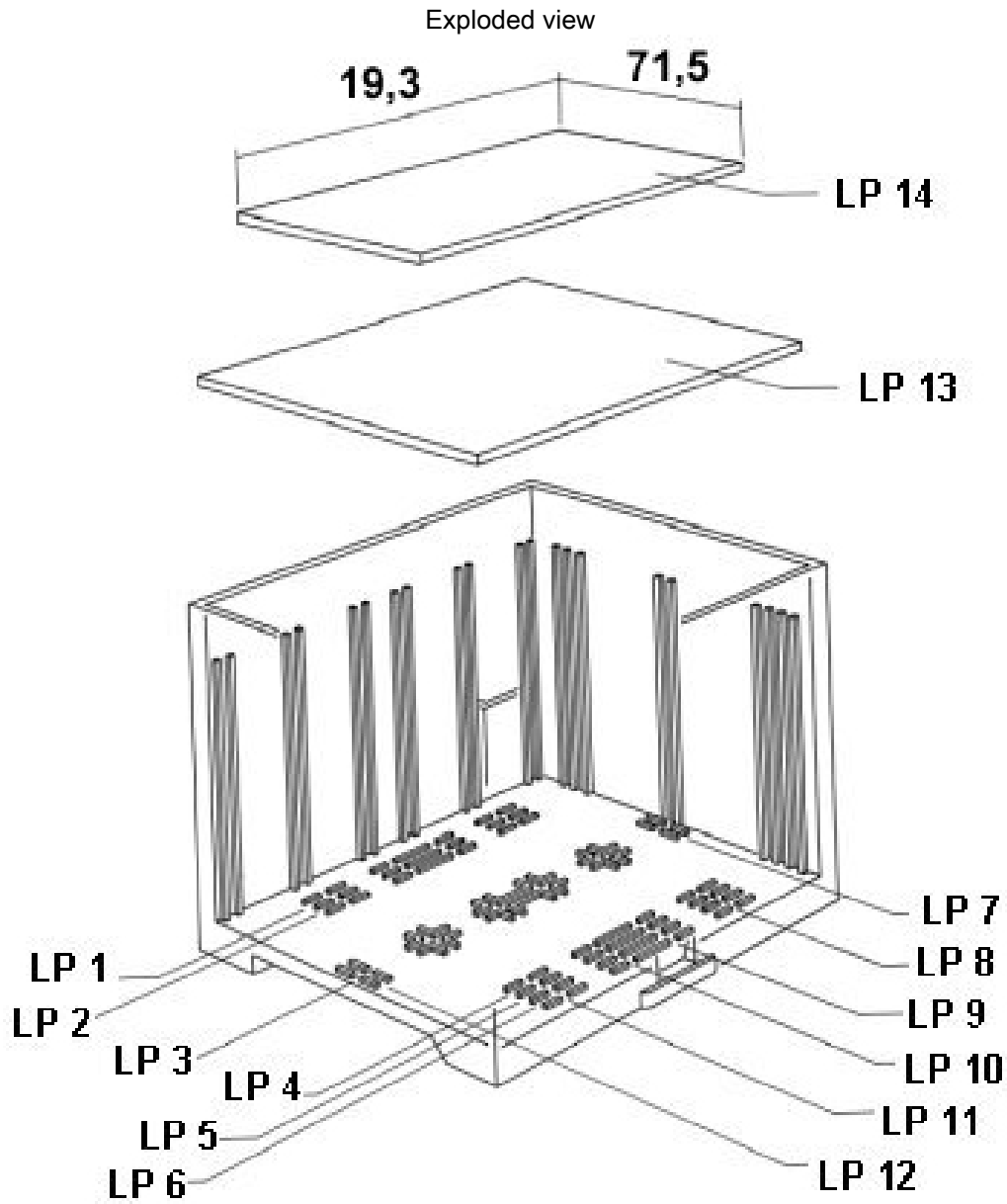


valid for PCB 7, see explosion drawing

EG 22,5-G/ABS GN - Mounting base housing

2764043

<https://www.phoenixcontact.com/us/products/2764043>

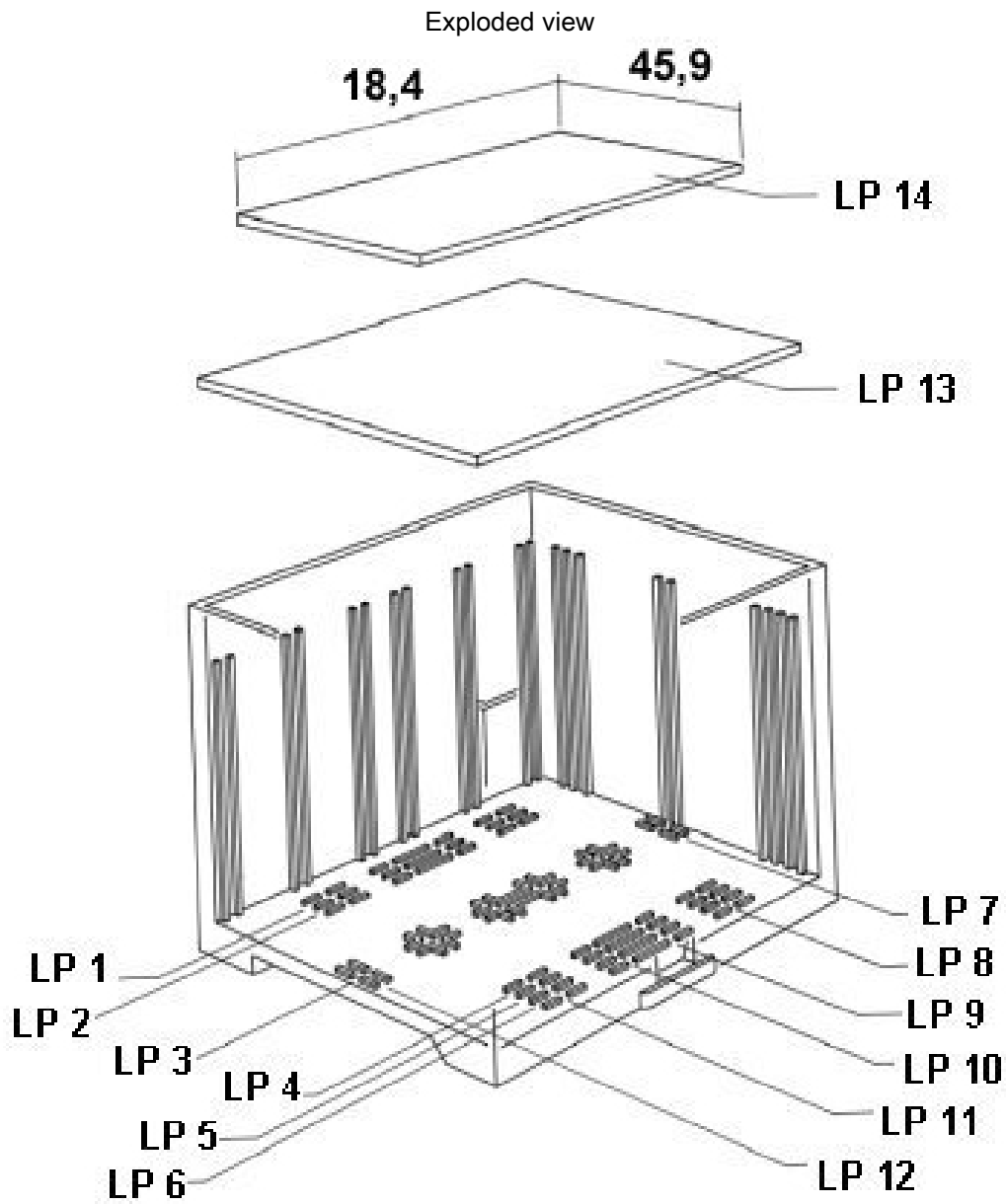


valid for PCB 13

EG 22,5-G/ABS GN - Mounting base housing

2764043

<https://www.phoenixcontact.com/us/products/2764043>



valid for PCB 14

EG 22,5-G/ABS GN - Mounting base housing



2764043

<https://www.phoenixcontact.com/us/products/2764043>

Approvals

To download certificates, visit the product detail page: <https://www.phoenixcontact.com/us/products/2764043>



UL Recognized

Approval ID: E240868

EG 22,5-G/ABS GN - Mounting base housing



2764043

<https://www.phoenixcontact.com/us/products/2764043>

Classifications

ECLASS

ECLASS-13.0	27190601
ECLASS-15.0	27190601

ETIM

ETIM 10.0	EC002779
-----------	----------

UNSPSC

UNSPSC 21.0	31261500
-------------	----------

EG 22,5-G/ABS GN - Mounting base housing



2764043

<https://www.phoenixcontact.com/us/products/2764043>

Environmental product compliance

EU RoHS

Fulfills EU RoHS substance requirements	Yes, No exemptions
---	--------------------

China RoHS

Environment friendly use period (EFUP)	EFUP-E
	No hazardous substances above the limits

EU REACH SVHC

REACH candidate substance (CAS No.)	No substance above 0.1 wt%
-------------------------------------	----------------------------

Phoenix Contact 2026 © - all rights reserved
<https://www.phoenixcontact.com>

Phoenix Contact USA
586 Fulling Mill Road
Middletown, PA 17057, United States
(+717) 944-1300
info@phoenixcon.com