

# CTNC-UFB-5DC/E - Surge protection device



2762087

<https://www.phoenixcontact.com/us/products/2762087>

Please be informed that the data shown in this PDF document is generated from our online catalog. Please find the complete data in the user documentation. Our general terms of use for downloads are valid.



Attachment plug with surge voltage coarse and fine protection, for coaxial signal interfaces with floating shield, signal voltage 5 V. Connection: TNC socket/plug

## Commercial data

Item number	2762087
Packing unit	1 pc
Note	Made to order (non-returnable)
Sales key	CL25
Product key	CL3313
GTIN	4017918064839
Weight per piece (including packing)	114.18 g
Weight per piece (excluding packing)	106.796 g
Customs tariff number	85363010
Country of origin	DE

# CTNC-UFB-5DC/E - Surge protection device

2762087

<https://www.phoenixcontact.com/us/products/2762087>

## Technical data

### Product properties

Product type	Surge protection for transceiver systems
IEC test classification	C2
	C3
VDE requirement class	C2
	C3
Type	Intermediate plug
Surge protection fault message	none

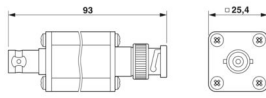
### Electrical properties

Nominal voltage $U_N$	5 V DC
-----------------------	--------

### Connection data

Connection method	TNC 50 $\Omega$
-------------------	-----------------

### Dimensions

Dimensional drawing	
Width	25.4 mm
Height	25.4 mm
Depth	93 mm

### Material specifications

Housing material	Aluminum
------------------	----------

### Mechanical properties

#### Mechanical data

Open side panel	No
-----------------	----

### Protective circuit

Direction of action	Line-Shield/Earth Ground
Nominal voltage $U_N$	5 V DC
Maximum continuous operating voltage $U_C$	5 V DC
Maximum continuous voltage $U_C$ (line-earth)	5 V DC
Nominal current $I_N$	185 mA (25 °C)
Operating effective current $I_C$ at $U_C$	$\leq 300 \mu\text{A}$
Nominal discharge current $I_n$ (8/20) $\mu\text{s}$ (line-signal ground)	10 kA
Output voltage limitation at 1 kV/ $\mu\text{s}$ (line-line) spike	$\leq 13 \text{ V}$
Output voltage limitation at 1 kV/ $\mu\text{s}$ (line-earth) spike	$\leq 500 \text{ V}$

# CTNC-UFB-5DC/E - Surge protection device



2762087

<https://www.phoenixcontact.com/us/products/2762087>

Output voltage limitation at 1 kV/ $\mu$ s (line-earth) static	$\leq 500$ V
Output voltage limitation at 1 kV/ $\mu$ s (line-signal ground) static	$\leq 13$ V
Residual voltage at $I_n$ (line-signal ground)	$\leq 10$ V
Voltage protection level $U_p$ (line-earth)	$\leq 500$ V
Voltage protection level $U_p$ (line-signal ground)	$\leq 13$ V
Response time $t_A$ (line-earth)	$\leq 100$ ns
Response time $t_A$ (line-signal ground)	$\leq 500$ ns
Cut-off frequency $f_g$ (3 dB), asym. (PE) in 50 $\Omega$ system	170 MHz
Resistance per path	22 $\Omega$
Surge protection fault message	none

## Environmental and real-life conditions

### Ambient conditions

Degree of protection	IP20
Ambient temperature (operation)	-40 °C ... 80 °C

## Standards and regulations

VDE requirement class	C2
	C3

### Standards Information technology specification

Standards/regulations	Draft IEC 64644-1
	E VDE 0845-3-1
	Draft IEC 64644-1
	E VDE 0845-3-1

## Mounting

Mounting type	Connection-specific intermediate plugging
---------------	---

# CTNC-UFB-5DC/E - Surge protection device

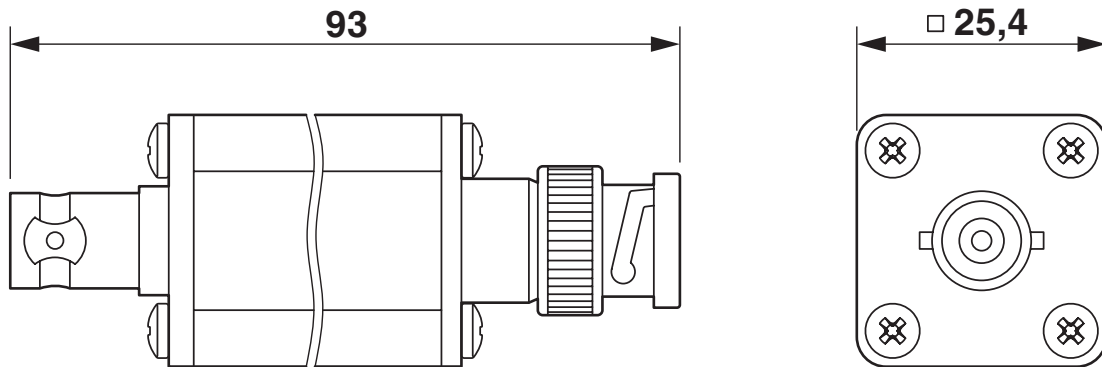


2762087

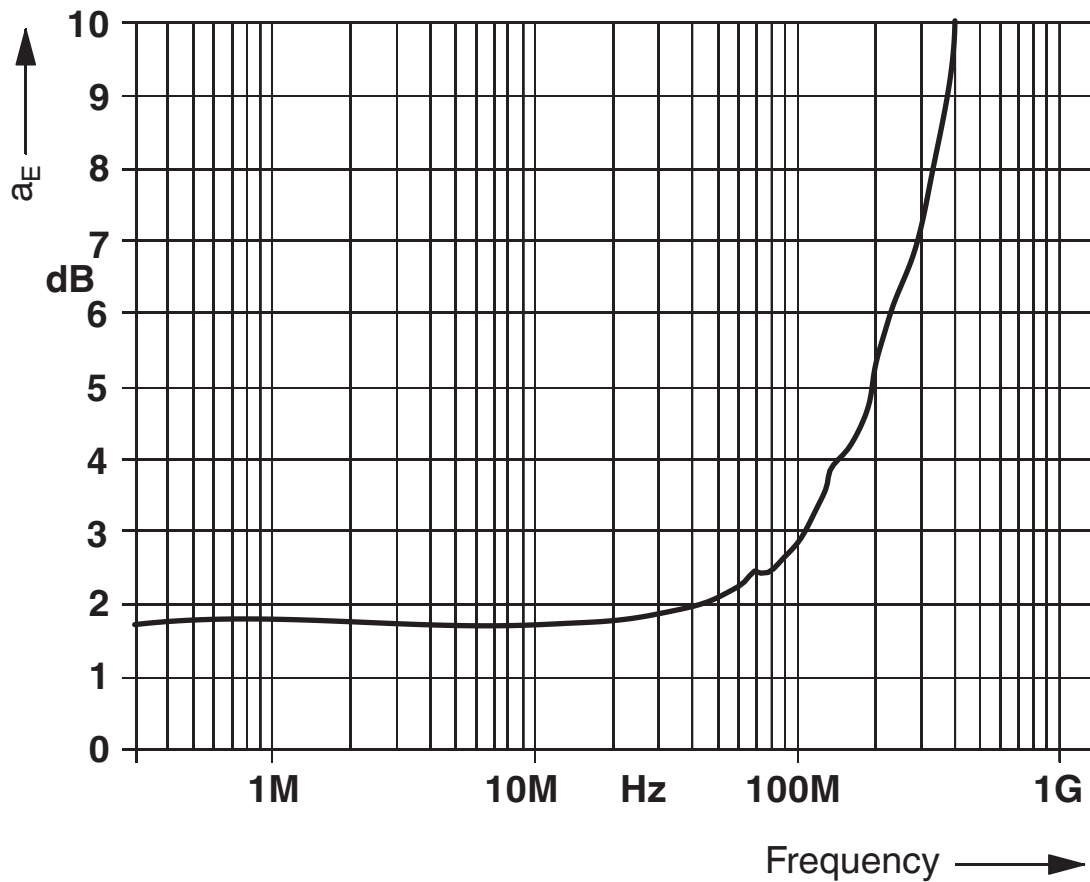
<https://www.phoenixcontact.com/us/products/2762087>

## Drawings

Dimensional drawing



Diagram



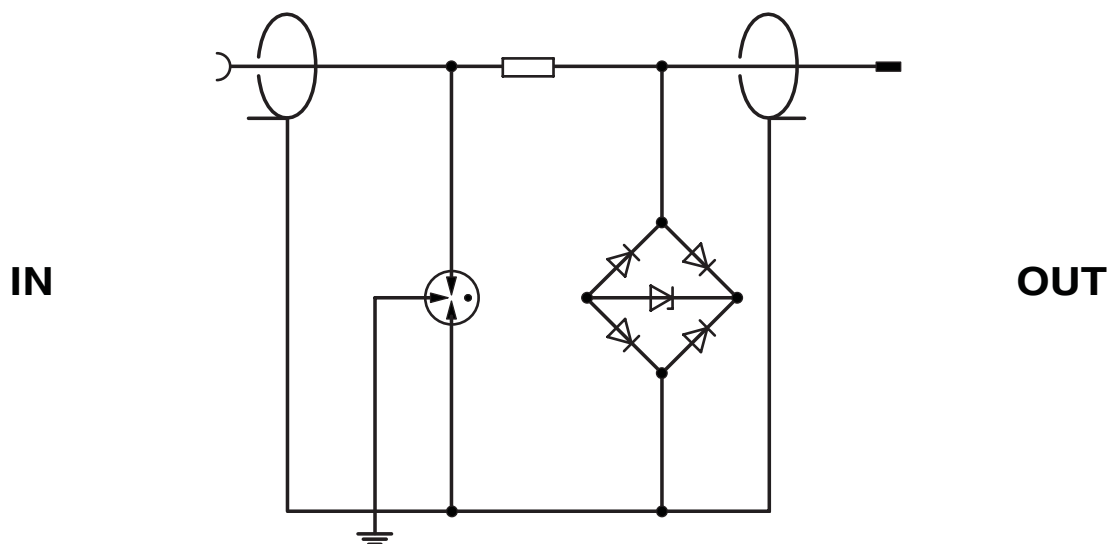
# CTNC-UFB-5DC/E - Surge protection device

2762087

<https://www.phoenixcontact.com/us/products/2762087>



Circuit diagram



# CTNC-UFB-5DC/E - Surge protection device



2762087

<https://www.phoenixcontact.com/us/products/2762087>

## Environmental product compliance

EU REACH SVHC

REACH candidate substance (CAS No.)	No substance above 0.1 wt%
-------------------------------------	----------------------------

Phoenix Contact 2026 © - all rights reserved

<https://www.phoenixcontact.com>

Phoenix Contact USA  
586 Fulling Mill Road  
Middletown, PA 17057, United States  
(+717) 944-1300  
[info@phoenixcon.com](mailto:info@phoenixcon.com)