

# PSM-EG-RS485W2/FO-E/G - FO converters



2761842

<https://www.phoenixcontact.com/us/products/2761842>

Please be informed that the data shown in this PDF document is generated from our online catalog. Please find the complete data in the user documentation. Our general terms of use for downloads are valid.



Terminal equipment for converting RS-485 2-wire interfaces to one fiber optic cable, fiberglass, connection system: B-FOC, rail-mountable, max. data rate 57.6 kbps, not suitable for PROFIBUS/MPI

The figure shows versions PSM-EG-RS485W2/FO-T/G and PSM-EG-RS485W2/FO-T/K

## Commercial data

Item number	2761842
Packing unit	1 pc
Note	Made to order (non-returnable)
Sales key	DN06
Product key	DNC222
GTIN	4017918148706
Weight per piece (including packing)	282.2 g
Weight per piece (excluding packing)	282.2 g
Customs tariff number	85176200
Country of origin	DE

## Technical data

### Electrical properties

Electrical isolation	RS-485 // supply
Maximum power dissipation for nominal condition	2.64 W
Test voltage data interface/power supply	2 kV AC

### Supply

Nominal supply voltage	24 V DC $\pm 20\%$ (via COMBICON)
Typical current consumption	max. 110 mA

### Output data

#### Switching

Output name	Relay output
Output description	Alarm output
Number of outputs	1
Maximum switching voltage	60 V AC/DC
Limiting continuous current	1 A

### Interfaces

Bit distortion, input	$\pm 35\%$
Bit distortion, output	$\leq 5\%$
Bit delay	$\leq 0.8$ bit
Signal	Modbus
	S-BUS
	Suconet K

#### Data: optical FO

Transmission power	28.18 $\mu$ W (-15,5 dBm at 50/125 $\mu$ m)
	63.1 $\mu$ W (-12 dBm at 62,5/125 $\mu$ m)
Transmit capacity, minimum	-15.5 dBm (50/125 $\mu$ m)
	-12 dBm (62,5/125 $\mu$ m)
Transmission length incl. 3 dB system reserve	2700 m (with F-G 50/125 2.5 dB/km)
	2100 m (with F-G 50/125 3.0 dB/km)
	2900 m (with F-G 50/125 3.4 dB/km)
	3300 m (with F-G 62,5/125 3.0 dB/km)
	2600 m (with F-G 50/125 2.5 dB/km)
Transmission protocol	Protocol-transparent to the RS-485 interface
Connection method	B-FOC (ST®)
Wavelength	850 nm
Minimum receiver sensitivity	-25 dBm (50/125 $\mu$ m)
	-25 dBm (62,5/125 $\mu$ m)

#### Data: RS-485 interface, 2-wire

# PSM-EG-RS485W2/FO-E/G - FO converters



2761842

<https://www.phoenixcontact.com/us/products/2761842>

Serial transmission speed	6/ 19.2/ 38.4/ 57.6/ 75/ 93.75/ 115.2/ 136/ 187.5/ 375/ 500/ 1500 kbps
Connection method	D-SUB-9 female connector
	COMBICON
Termination resistor	150 Ω can be connected; pull up/down 390 Ω
Conductor cross-section flexible max.	2.5 mm <sup>2</sup>
Conductor cross-section flexible min.	0.2 mm <sup>2</sup>
Conductor cross-section AWG max.	14
Conductor cross-section AWG min.	24
File format/coding	UART (11/10 bit switchable; NRZ), slip-tolerant
Data direction switching	Automatic control

## Dimensions

Width	45 mm
Height	75 mm
Depth	120 mm

## Material specifications

Color (Housing)	green (RAL 6021)
Material (Housing)	ABS

## Cable/line

### FO cable

Fiber types	50/125 μm
	62.5/125 μm
	Fiberglass

## Environmental and real-life conditions

### Ambient conditions

Degree of protection	IP20
Ambient temperature (operation)	0 °C ... 50 °C

## EMC data

Electromagnetic compatibility	Conformance with EMC directive 89/336/EC
Noise immunity	EN 50 082-2

### Noise emission

Standards/regulations	EN 50081-2
-----------------------	------------

## Standards and regulations

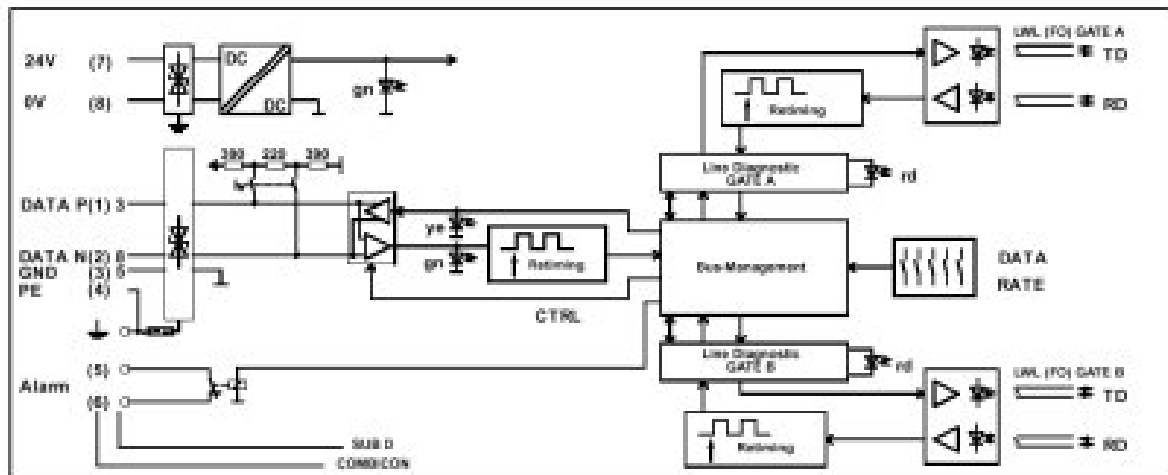
Electrical isolation	RS-485 // supply
----------------------	------------------

## Mounting

Mounting type	DIN rail mounting
---------------	-------------------

Drawings

Circuit diagram



2761842

<https://www.phoenixcontact.com/us/products/2761842>

## Environmental product compliance

### China RoHS

Environment friendly use period (EFUP)	EFUP-50
	An article-related China RoHS declaration table can be found in the download area for the respective article under "Manufacturer declaration". For all articles with EFUP-E, no China RoHS declaration table issued and required.

### EU REACH SVHC

REACH candidate substance (CAS No.)	No substance above 0.1 wt%
-------------------------------------	----------------------------

Phoenix Contact 2026 © - all rights reserved  
<https://www.phoenixcontact.com>

Phoenix Contact USA  
586 Fulling Mill Road  
Middletown, PA 17057, United States  
(+717) 944-1300  
[info@phoenixcon.com](mailto:info@phoenixcon.com)