

PSM-ODL-RS232-A - FO converters



2761787

<https://www.phoenixcontact.com/us/products/2761787>

Please be informed that the data shown in this PDF document is generated from our online catalog. Please find the complete data in the user documentation. Our general terms of use for downloads are valid.



Optical data link, for converting the data signals from RS-232 to infra-red light (880 nm), device type A

Commercial data

| | |
|--------------------------------------|--------------------------------|
| Item number | 2761787 |
| Packing unit | 1 pc |
| Note | Made to order (non-returnable) |
| Sales key | DN24 |
| Product key | DNC681 |
| GTIN | 4017918126803 |
| Weight per piece (including packing) | 3.664 kg |
| Weight per piece (excluding packing) | 3.602 kg |
| Customs tariff number | 85176200 |
| Country of origin | DE |

Technical data

Electrical properties

| | |
|---|----------------------------------|
| Electrical isolation | RS-422//supply or RS-232//supply |
| Maximum power dissipation for nominal condition | 6.72 W |
| Test voltage data interface/power supply | 500 V AC |

Supply

| | |
|-----------------------------|-------------------------------------|
| Supply voltage range | 10 V DC ... 30 V DC |
| Nominal supply voltage | 24 V DC |
| Typical current consumption | 280 mA (at 24 V DC nominal voltage) |

Output data

Switching

| | |
|---------------------|---|
| Warning output | Plus switching (VCC-2V) |
| Interference output | Plus switching (VCC-2V) |
| Operating elements | Membrane keyboard for standard, alignment and test operation |
| Indication elements | 20-element bar graph for receiver power, status, warning and fault LEDs |

Connection data

Supply

| | |
|-------------------|-----------------------|
| Connection method | Pg11 screw connection |
|-------------------|-----------------------|

Interfaces

| | |
|----------------|--|
| Bit retiming | Through oversampling |
| Bit distortion | < 10 % (complete system with maximum transmission speed) |
| Bit delay | < 3 μ s (complete system) |
| Signal | Point-to-point |

Data: optical ODL

| | |
|------------------------------|---|
| Range of transmission length | 0.4 m ... 200 m |
| Transmission medium | Infra-red light, 880 nm |
| Optics | Glass optics behind daylight filter |
| Emission angle | $\pm 1.5^\circ$ (to the optical axis) |
| System reserve | 35 % |
| File format/coding | Frequency shift keying FSK, 7/13 MHz, deviation 1 MHz |

Data: RS-232 interface, (V.24)

| | |
|---------------------------------------|----------------------|
| Serial transmission speed | 64 kbps |
| Conductor cross-section flexible max. | 1 mm ² |
| Conductor cross-section flexible min. | 1 mm ² |
| Conductor cross-section, rigid max. | 1.5 mm ² |
| Conductor cross-section, rigid min. | 0.14 mm ² |

PSM-ODL-RS232-A - FO converters



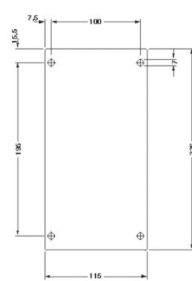
2761787

<https://www.phoenixcontact.com/us/products/2761787>

Data: RS-232 interface, (V.24)

| | |
|---------------------------|-----------------|
| Serial transmission speed | Maximum 64 kbps |
|---------------------------|-----------------|

Dimensions

| | |
|---------------------|--|
| Dimensional drawing |  |
| Width | 115 mm |
| Height | 235 mm |
| Depth | 232 mm |

Material specifications

| | |
|--------------------|-------------------|
| Material (Housing) | Die-cast aluminum |
|--------------------|-------------------|

Environmental and real-life conditions

Ambient conditions

| | |
|---------------------------------|-------------------------------------|
| Degree of protection | IP65 |
| Ambient temperature (operation) | -10 °C ... 50 °C (-35°C on request) |

EMC data

| | |
|-------------------------------|--|
| Electromagnetic compatibility | Conformance with EMC directive 89/336/EC |
| Noise immunity | EN 50 082-2 |

Noise emission

| | |
|-----------------------|------------|
| Standards/regulations | EN 50081-2 |
|-----------------------|------------|

Standards and regulations

| | |
|----------------------|----------------------------------|
| Electrical isolation | RS-422//supply or RS-232//supply |
|----------------------|----------------------------------|

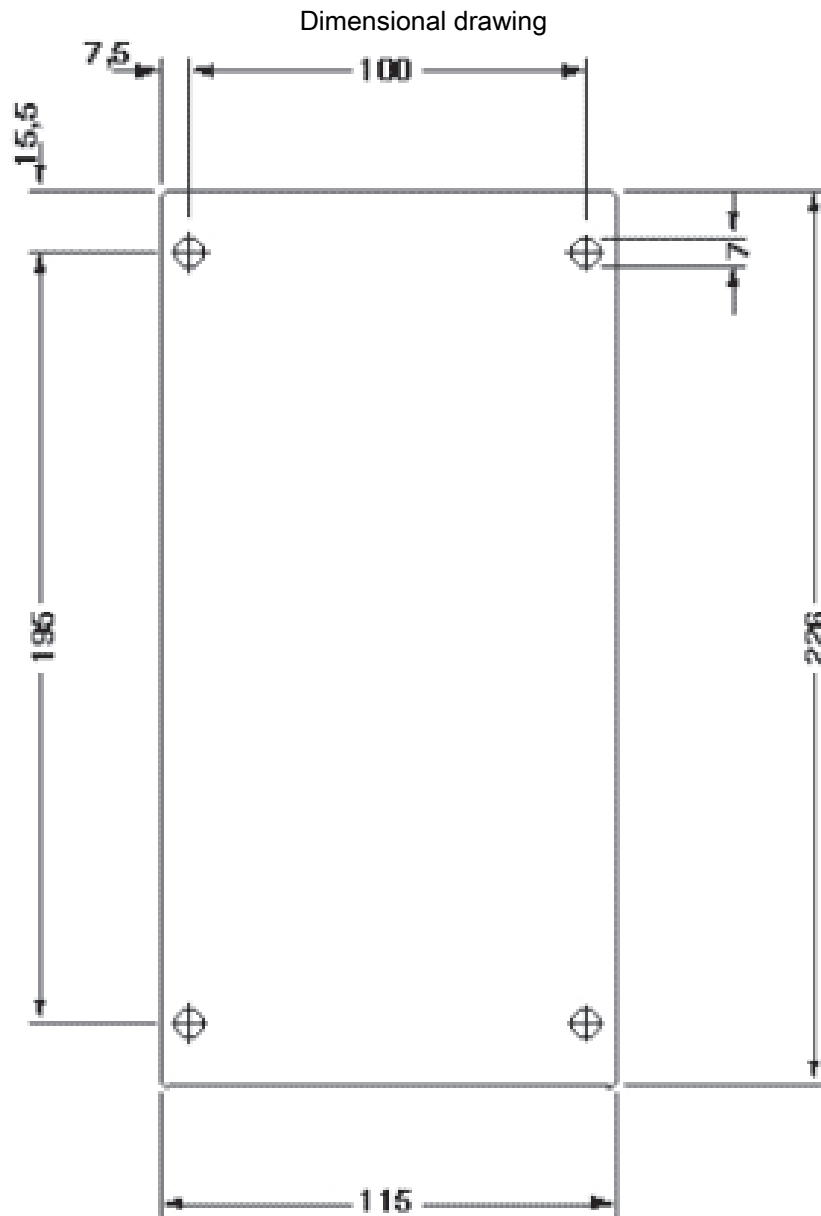
PSM-ODL-RS232-A - FO converters



2761787

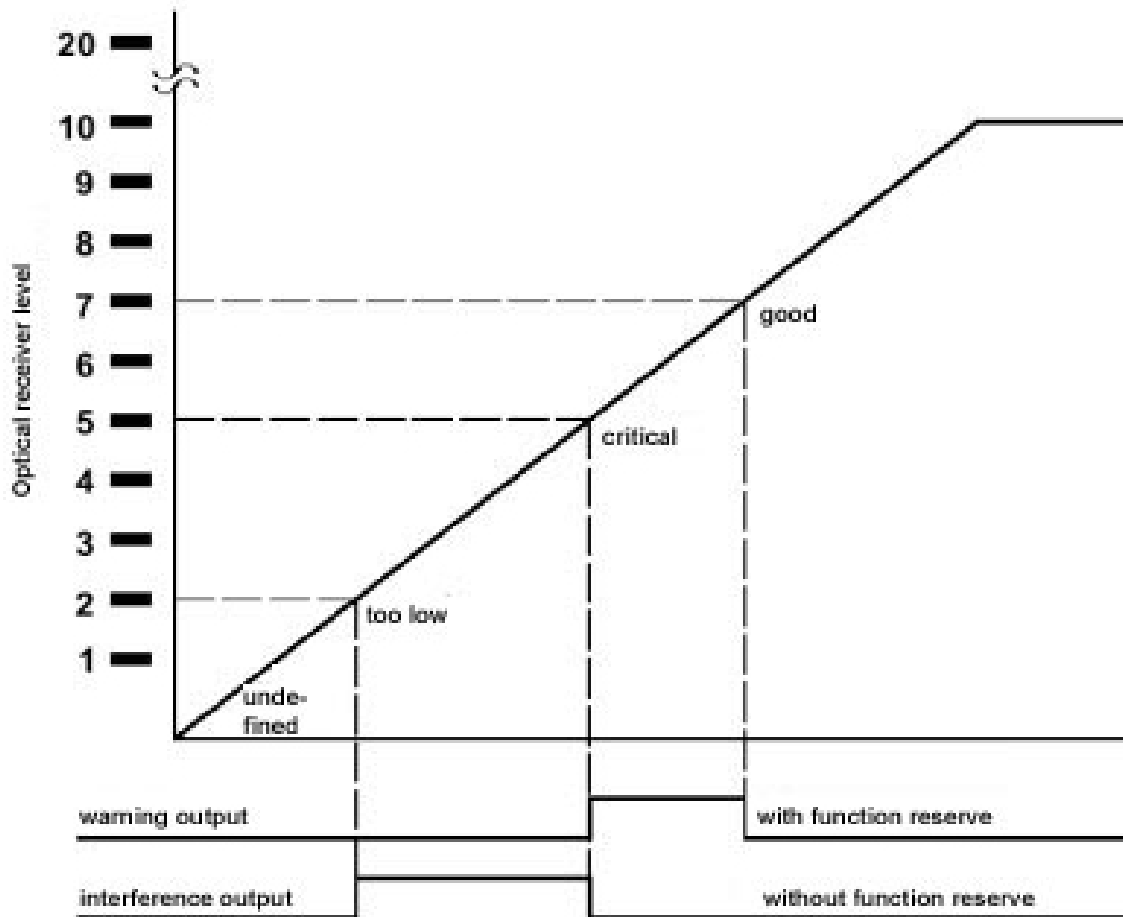
<https://www.phoenixcontact.com/us/products/2761787>

Drawings



Diagram

Operational reliability through continuous displays and evaluation of the data signal quality



Environmental product compliance

China RoHS

| | |
|--|---|
| Environment friendly use period (EFUP) | EFUP-50 |
| | An article-related China RoHS declaration table can be found in the download area for the respective article under "Manufacturer declaration". For all articles with EFUP-E, no China RoHS declaration table issued and required. |

EU REACH SVHC

| | |
|-------------------------------------|----------------------------|
| REACH candidate substance (CAS No.) | No substance above 0.1 wt% |
|-------------------------------------|----------------------------|

Phoenix Contact 2026 © - all rights reserved
<https://www.phoenixcontact.com>

Phoenix Contact USA
586 Fulling Mill Road
Middletown, PA 17057, United States
(+717) 944-1300
info@phoenixcon.com