

PSM-EG-RS485W2/FO-E/K - FO converters



2761486

<https://www.phoenixcontact.com/us/products/2761486>

Please be informed that the data shown in this PDF document is generated from our online catalog. Please find the complete data in the user documentation. Our general terms of use for downloads are valid.



Terminal equipment for converting RS-485 PROFIBUS, RS-485-SUCONET-K or RS-485 2-wire cable to a fiber optic cable, polymer/PCF fiber, connection system: F-SMA, rail-mountable

The figure shows versions PSM-EG-RS485W2/FO-T/G and PSM-EG-RS485W2/FO-T/K

Product description

This FO converter is no longer available.

Successor product is PSI-MOS-RS485W2/FO 660 E (Item No. 2708313) for RS-485 bus systems.

The FO converter PSI-MOS-PROFIB/FO 660 E (Item No. 2708290) is suitable for PROFIBUS networks.

Commercial data

Item number	2761486
Packing unit	1 pc
Note	Made to order (non-returnable)
Sales key	DN06
Product key	DNC222
GTIN	4017918148690
Weight per piece (including packing)	259.4 g
Weight per piece (excluding packing)	259.4 g
Customs tariff number	85176200
Country of origin	DE

Technical data

Electrical properties

Electrical isolation	RS-485 // supply
Maximum power dissipation for nominal condition	2.64 W
Test voltage data interface/power supply	2 kV AC

Supply

Nominal supply voltage	24 V DC $\pm 20\%$ (via COMBICON)
Typical current consumption	max. 110 mA

Output data

Switching

Output name	Relay output
Output description	Alarm output
Number of outputs	1
Maximum switching voltage	60 V AC/DC
Limiting continuous current	1 A

Interfaces

Bit distortion, input	$\pm 35\%$
Bit distortion, output	$\pm 5\%$
Bit delay	≤ 0.8 bit
Signal	PROFIBUS
	Modbus
	S-BUS
	Suconet K

Data: optical FO

Transmission power	204.17 μ W (-6.9 dBm at 980/1000 μ m)
	19.5 μ W (-17.1 dBm at 200/230 μ m)
Transmit capacity, minimum	-6.6 dBm (980/1000 μ m)
	-17.8 dBm (200/230 μ m)
Transmission length incl. 3 dB system reserve	70 m (F-P 980/1000 230 dB/km with quick mounting connector)
	400 m (F-K 200/230 10 dB/km with quick mounting connector)
Transmission protocol	Protocol-transparent to the RS-485 interface
Connection method	F-SMA connector
Wavelength	660 nm
Minimum receiver sensitivity	-26.4 dBm (980/1000 μ m)
	-27.9 dBm (200/230 μ m)

Data: RS-485 interface, PROFIBUS in acc. with DIN 19245-1,-2,-3 and EN 50170, 2-wire

Serial transmission speed	9.6/ 19.2/ 93.75/ 187.5/ 500/ 1500 kbps
Connection method	D-SUB-9 female connector

PSM-EG-RS485W2/FO-E/K - FO converters



2761486

<https://www.phoenixcontact.com/us/products/2761486>

	COMBICON
Termination resistor	150 Ω can be connected; pull up/down 390 Ω
Conductor cross-section flexible max.	2.5 mm ²
Conductor cross-section flexible min.	0.2 mm ²
Conductor cross-section AWG max.	14
Conductor cross-section AWG min.	24
File format/coding	UART (11 Bit, NRZ)
Data direction switching	Automatic control

Dimensions

Width	45 mm
Height	75 mm
Depth	112 mm

Material specifications

Color (Housing)	green (RAL 6021)
Material (Housing)	ABS

Cable/line

FO cable

Fiber types	200/230 μm
	980/1000 μm
	PCF fiber
	Polymer fiber

Environmental and real-life conditions

Ambient conditions

Degree of protection	IP20
Ambient temperature (operation)	0 °C ... 50 °C

EMC data

Electromagnetic compatibility	Conformance with EMC directive 89/336/EC
Noise immunity	EN 50 082-2

Noise emission

Standards/regulations	EN 50081-2
-----------------------	------------

Standards and regulations

Electrical isolation	RS-485 // supply
----------------------	------------------

Mounting

Mounting type	DIN rail mounting
---------------	-------------------

PSM-EG-RS485W2/FO-E/K - FO converters

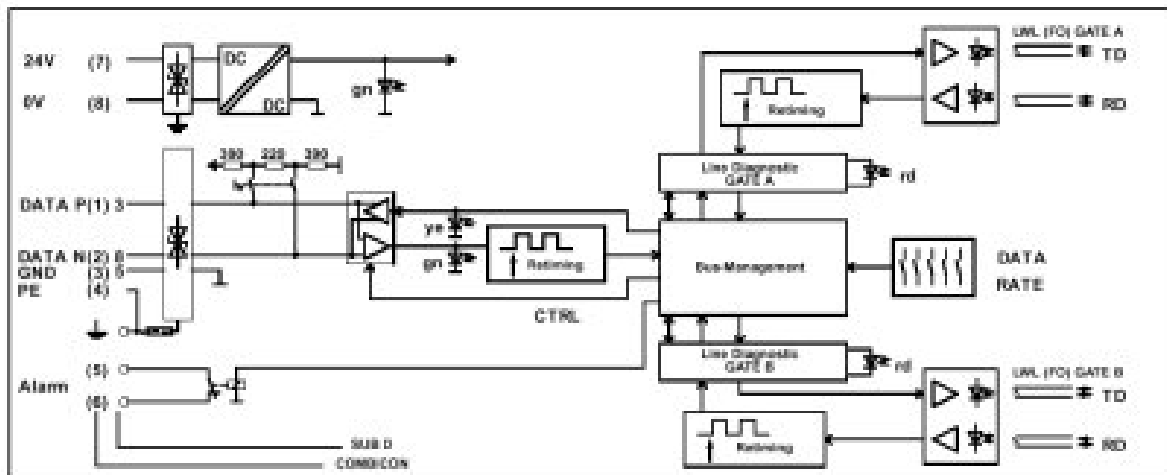


2761486

<https://www.phoenixcontact.com/us/products/2761486>

Drawings

Circuit diagram



Environmental product compliance

China RoHS

Environment friendly use period (EFUP)	EFUP-50
	An article-related China RoHS declaration table can be found in the download area for the respective article under "Manufacturer declaration". For all articles with EFUP-E, no China RoHS declaration table issued and required.

EU REACH SVHC

REACH candidate substance (CAS No.)	No substance above 0.1 wt%
-------------------------------------	----------------------------

Phoenix Contact 2026 © - all rights reserved
<https://www.phoenixcontact.com>

Phoenix Contact USA
586 Fulling Mill Road
Middletown, PA 17057, United States
(+717) 944-1300
info@phoenixcon.com