

PSM-EG-RS232/RS422-P/4K - Interface converter



2761266

<https://www.phoenixcontact.com/us/products/2761266>

Please be informed that the data shown in this PDF document is generated from our online catalog. Please find the complete data in the user documentation. Our general terms of use for downloads are valid.



Interface converter, for converting RS-232 (V.24) to RS-422 (V.11), with electrical isolation, 4 channels, rail-mountable

Your advantages

- RS-422 4-wire point-to-point operation
- Transmission speed of up to 64 kbps
- High-quality 3-way isolation between power supply, RS-232, and RS-422 for safe electrical isolation of potentials with 2.5 kV
- Integrated surge protection with transient discharge to the DIN rail
- As an alternative, data cables can be connected via D-SUB plugs or plug-in screw terminal blocks

Commercial data

Item number	2761266
Packing unit	1 pc
Note	Made to order (non-returnable)
Sales key	DN05
Product key	DNC112
GTIN	4017918064631
Weight per piece (including packing)	291.3 g
Weight per piece (excluding packing)	250.08 g
Customs tariff number	85176200
Country of origin	DE

Technical data

Product properties

Product type	Interface converter
MTBF	1045 Years (Telcordia standard, 25°C temperature, 21% operating cycle (5 days a week, 8 hours a day))
	223 Years (Telcordia standard, 40°C temperature, 34.25% operating cycle (5 days a week, 12 hours a day))

Electrical properties

Electrical isolation	VCC // V.24 (RS-232) // RS-422
Maximum power dissipation for nominal condition	3.12 W
Test voltage data interface/power supply	2.5 kV
	2.5 kV AC
Test voltage data interfaces	2.5 kV AC

Supply

Supply voltage range	19.2 V DC ... 28.8 V DC
Typical current consumption	130 mA (24 V DC)

Connection data

Supply

Tightening torque	0.56 Nm ... 0.79 Nm
-------------------	---------------------

Interfaces

Bit distortion	≤ 5 %
Bit delay	≤ 3 μs
Signal	Modbus
Transmission channels	4 (2/2), RxD, TxD, RTS, CTS; full duplex

Data: V.24 (RS-232) interface in acc. with ITU-T V.28, EIA/TIA-232, DIN 66259-1

Serial transmission speed	64 kbps
Connection method	D-SUB 9 plug
	Pluggable screw connection
Transmission length	15 m (twisted pair)
Conductor cross-section flexible max.	2.5 mm ²
Conductor cross-section flexible min.	0.2 mm ²
Conductor cross-section AWG max.	13
Conductor cross-section AWG min.	24

Data: RS-422 interface in acc. with ITU-T V.11, EIA/TIA-422, DIN 66348-1

Serial transmission speed	64 kbps
Connection method	D-SUB-15 male connector
	Pluggable screw connection
Transmission length	1200 m (twisted pair)

PSM-EG-RS232/RS422-P/4K - Interface converter



2761266

<https://www.phoenixcontact.com/us/products/2761266>

Termination resistor	510 Ω
	150 Ω
	510 Ω (Can be connected)
Conductor cross-section flexible max.	2.5 mm ²
Conductor cross-section flexible min.	0.2 mm ²
Conductor cross-section AWG max.	13
Conductor cross-section AWG min.	24

Dimensions

Width	45 mm
Height	75 mm
Depth	110 mm

Material specifications

Color (Housing)	green (RAL 6021)
Material (Housing)	ABS

Environmental and real-life conditions

Ambient conditions

Ambient temperature (operation)	0 °C ... 50 °C
---------------------------------	----------------

Approvals

UL, USA/Canada

Identification	508 Recognized
----------------	----------------

EMC data

Electromagnetic compatibility	Conformance with EMC Directive 2014/30/EU
Noise immunity	EN 50 082-2

Noise emission

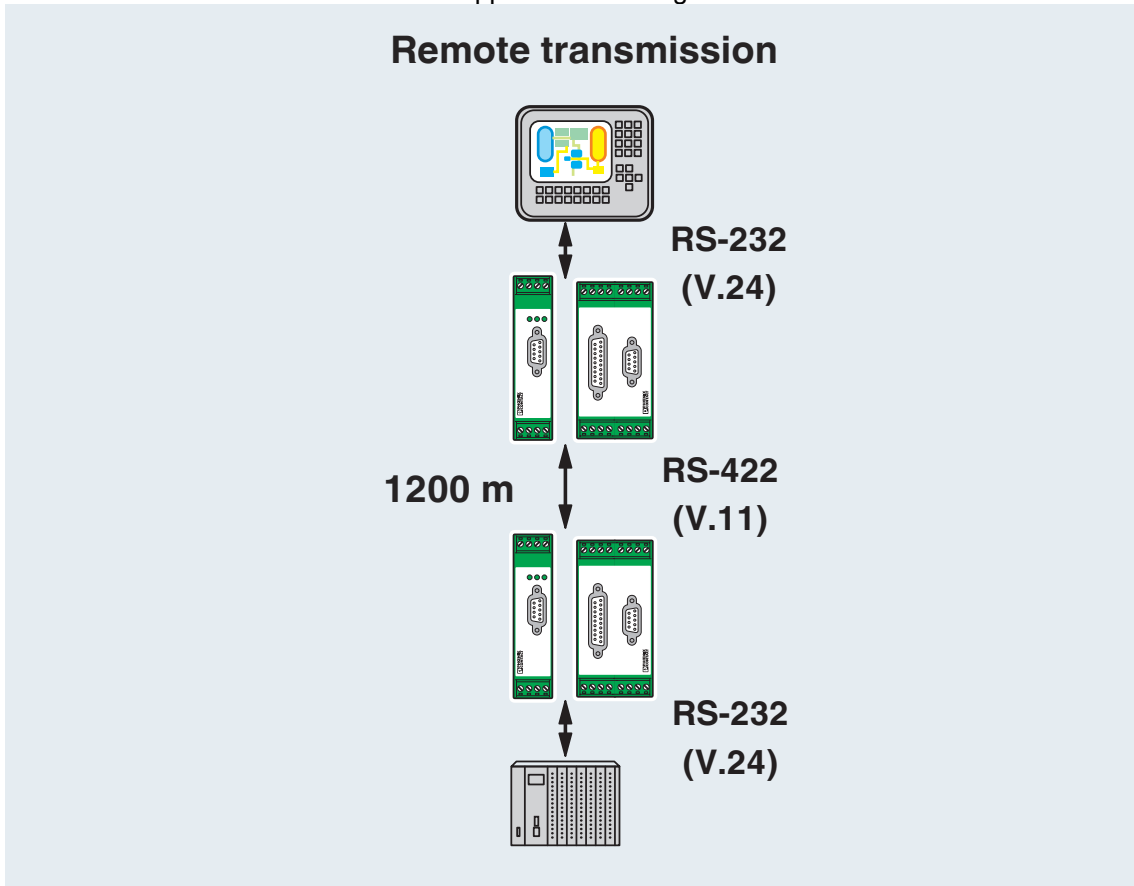
Standards/regulations	EN 50 081-1
-----------------------	-------------

Mounting

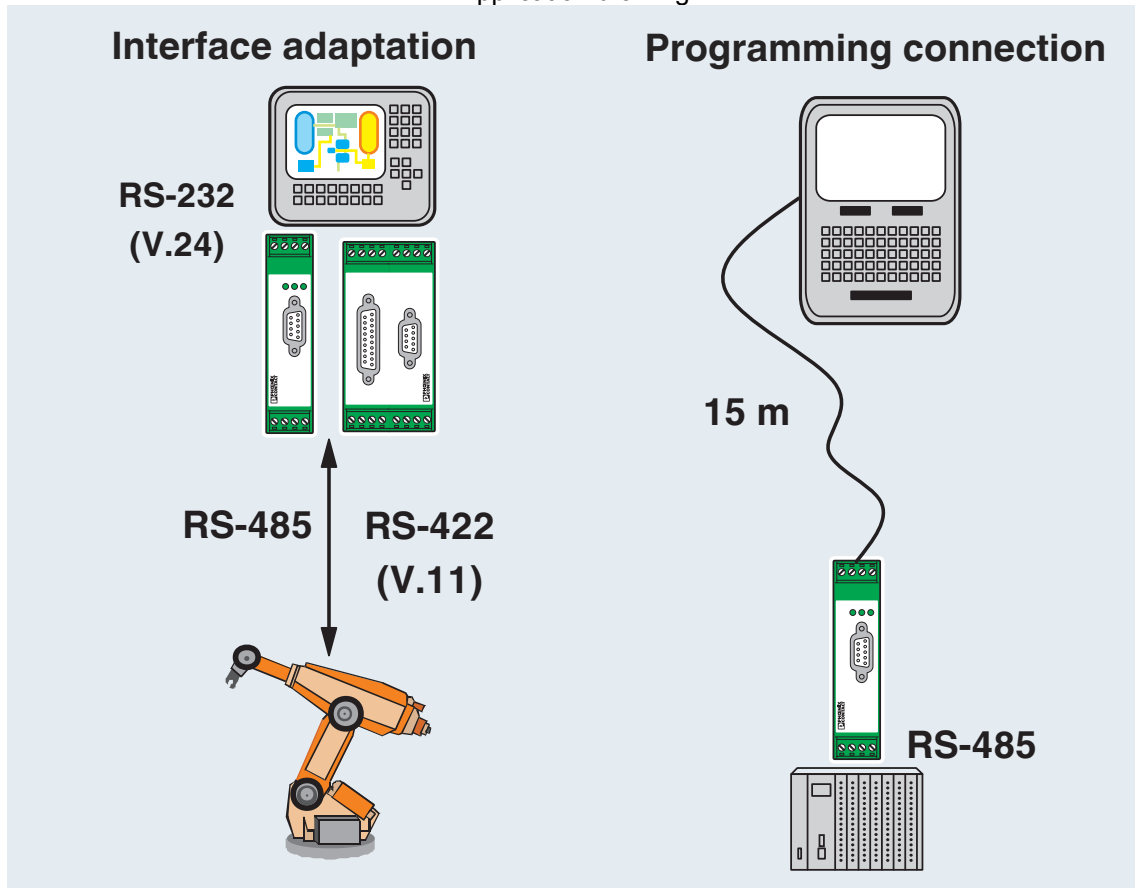
Mounting type	DIN rail mounting
---------------	-------------------

Drawings

Application drawing

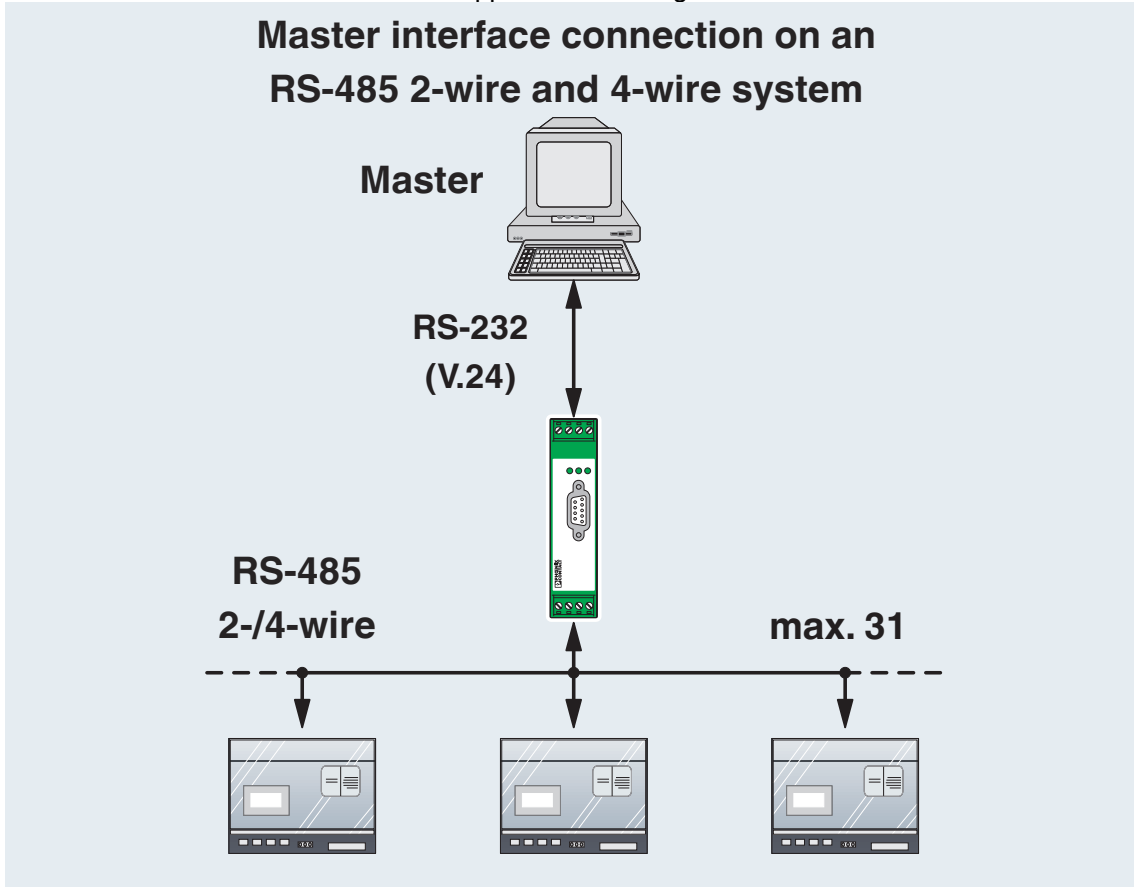


Application drawing

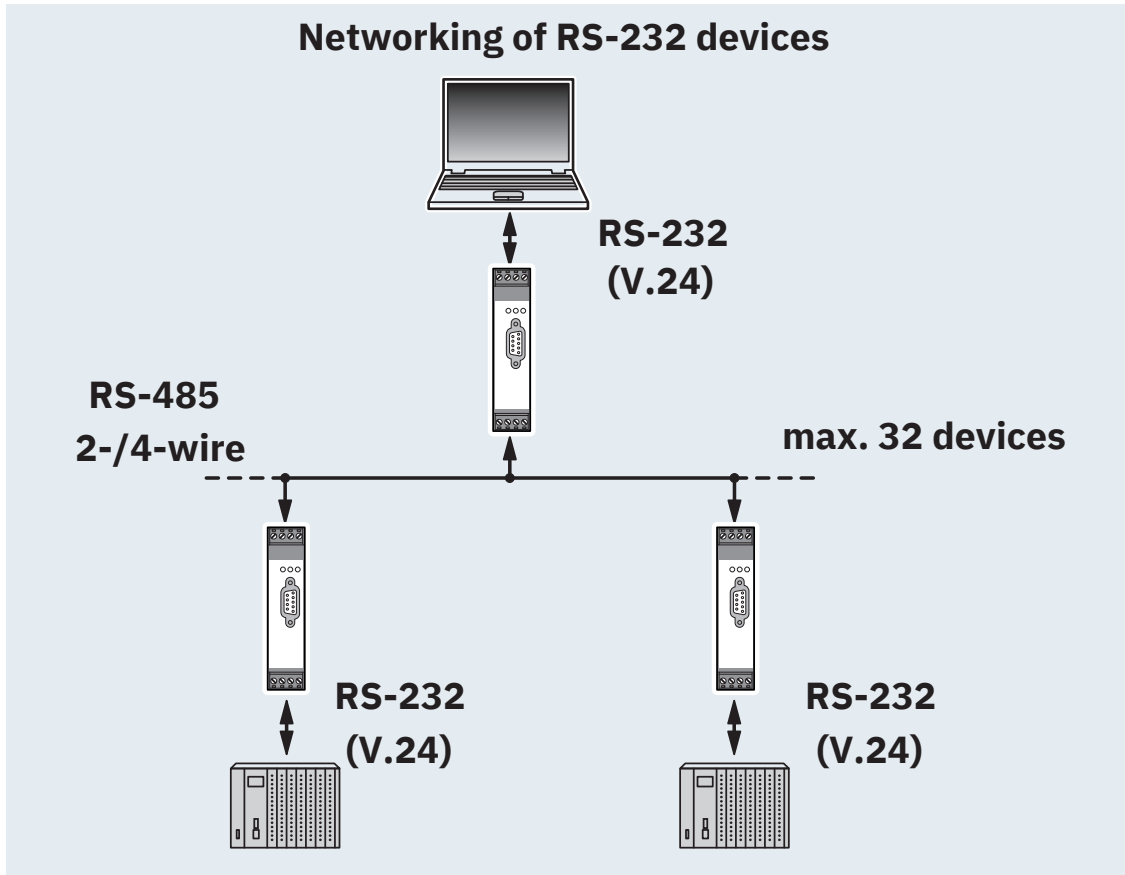


Application drawing

Master interface connection on an RS-485 2-wire and 4-wire system



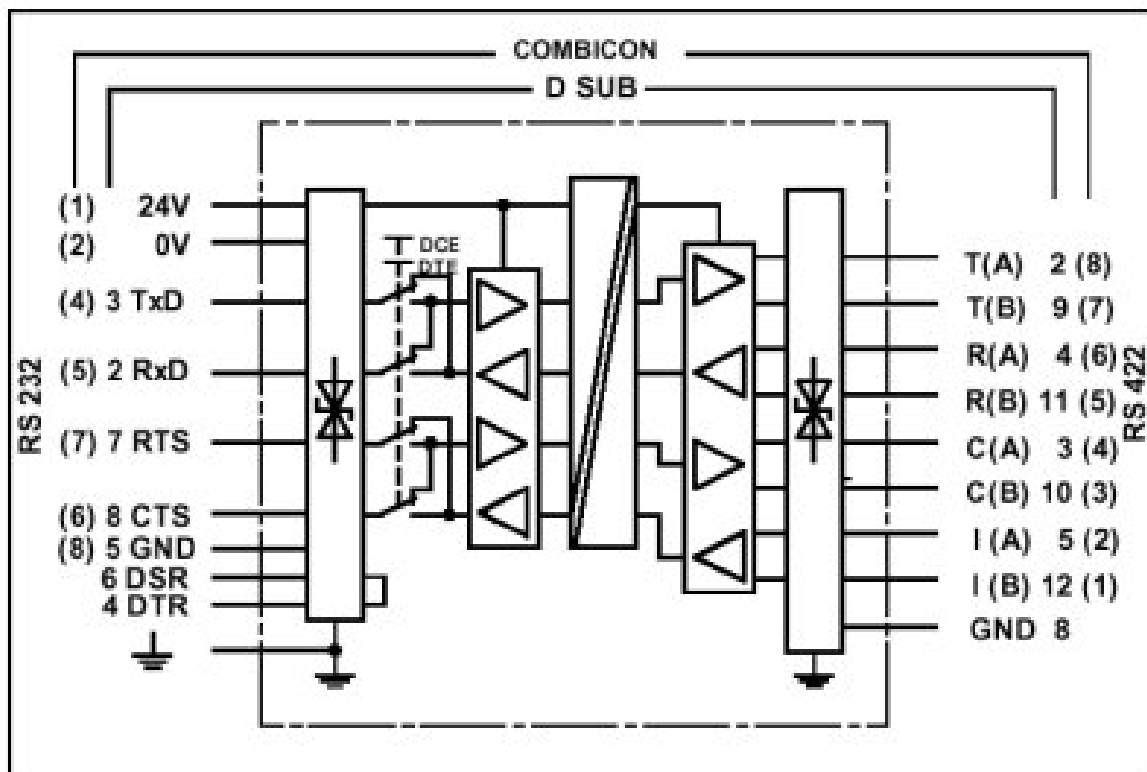
Application drawing



2761266

<https://www.phoenixcontact.com/us/products/2761266>

Circuit diagram



PSM-EG-RS232/RS422-P/4K - Interface converter



2761266

<https://www.phoenixcontact.com/us/products/2761266>

Classifications

UNSPSC

UNSPSC 21.0	43222604
-------------	----------

Environmental product compliance

China RoHS

Environment friendly use period (EFUP)	EFUP-50
	An article-related China RoHS declaration table can be found in the download area for the respective article under "Manufacturer declaration". For all articles with EFUP-E, no China RoHS declaration table issued and required.

EU REACH SVHC

REACH candidate substance (CAS No.)	No substance above 0.1 wt%
-------------------------------------	----------------------------

Phoenix Contact 2026 © - all rights reserved
<https://www.phoenixcontact.com>

Phoenix Contact USA
586 Fulling Mill Road
Middletown, PA 17057, United States
(+717) 944-1300
info@phoenixcon.com