

PSM PTK - Connection distributor

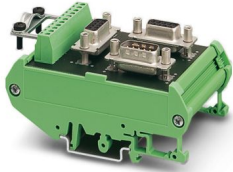


2760623

<https://www.phoenixcontact.com/us/products/2760623>

Please be informed that the data shown in this PDF document is generated from our online catalog. Please find the complete data in the user documentation. Our general terms of use for downloads are valid.

Passive RS-485 T distributor, fitted with one 9-pin D-SUB pin strip and two 9-pin D-SUB socket strips



Commercial data

Item number	2760623
Packing unit	1 pc
Minimum order quantity	1 pc
Sales key	DN10
Product key	DNC551
GTIN	4017918064327
Weight per piece (including packing)	108 g
Weight per piece (excluding packing)	86.1 g
Customs tariff number	85366990
Country of origin	DE

Technical data

Notes

Note on application

Note on application	Only for industrial use
---------------------	-------------------------

Product properties

Product type	Adapter
Application	Standard
Pin assignment	all 1:1

Electrical properties

Test voltage	500 V AC (50 Hz, 1 min, rms)
Nominal voltage U_N	60 V AC/DC
Nominal current I_N	1 A
Transmission medium	Copper

Connection data

Incoming

Connection method	D-SUB 9 plug
-------------------	--------------

Outgoing

Connection method	D-SUB-9 female connector
-------------------	--------------------------

Branching

Connection method	D-SUB-9 female connector
-------------------	--------------------------

Branching

Connection method	COMBICON connectors
Conductor cross-section, rigid min.	0.14 mm ²
Conductor cross-section, rigid max.	1.5 mm ²
Conductor cross-section flexible min.	0.14 mm ²
Conductor cross-section flexible max.	1.5 mm ²
Conductor cross-section AWG min.	26
Conductor cross-section AWG max.	16

Interfaces

Bus system	RS-485
------------	--------

Dimensions

Width	56 mm
Height	89.6 mm
Length	48 mm

2760623

<https://www.phoenixcontact.com/us/products/2760623>

Material specifications

Color (Housing)	green (RAL 6021)
Material (Housing)	PVC
Flammability rating according to UL 94	V0

Cable/line

Shielding	D-SUB frame or shield clamp
-----------	-----------------------------

Environmental and real-life conditions

Ambient conditions

Degree of protection	IP20
Ambient temperature (operation)	-25 °C ... 70 °C

Standards and regulations

Free from substances that could impair the application of coating	VDMA 24364:2018-05
---	--------------------

Mounting

Mounting type	DIN rail mounting
---------------	-------------------

PSM PTK - Connection distributor

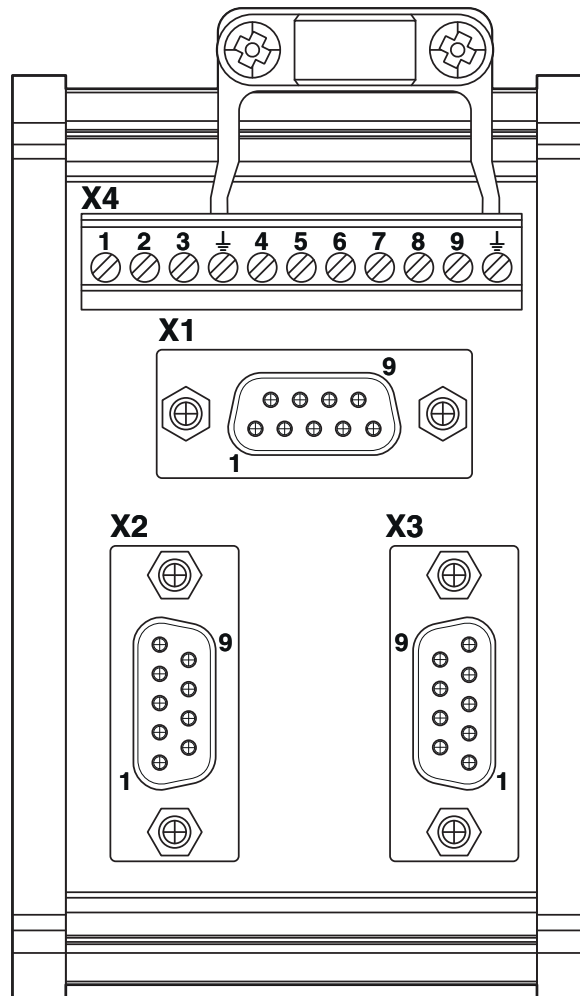
2760623

<https://www.phoenixcontact.com/us/products/2760623>



Drawings

Schematic diagram



Front view

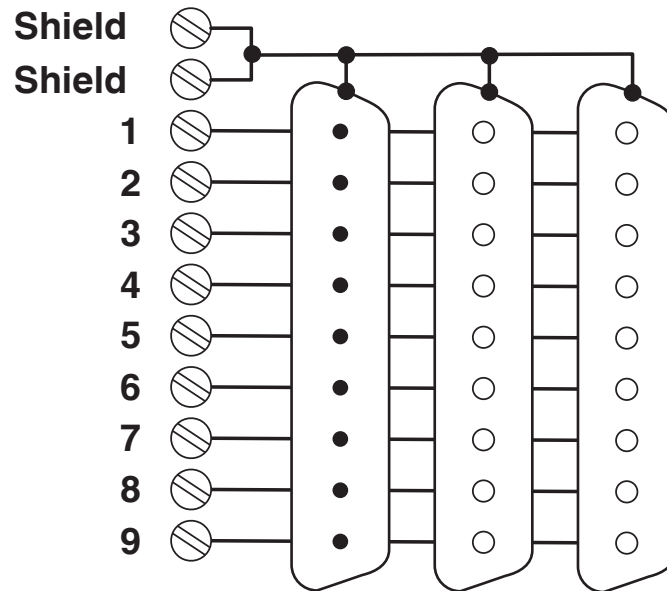
PSM PTK - Connection distributor

2760623

<https://www.phoenixcontact.com/us/products/2760623>



Circuit diagram



Circuit diagram

PSM PTK - Connection distributor



2760623

<https://www.phoenixcontact.com/us/products/2760623>

Approvals

To download certificates, visit the product detail page: <https://www.phoenixcontact.com/us/products/2760623>



cUL Recognized
Approval ID: E238705



UL Recognized
Approval ID: E238705

PSM PTK - Connection distributor



2760623

<https://www.phoenixcontact.com/us/products/2760623>

Classifications

ECLASS

ECLASS-13.0	27141152
ECLASS-15.0	27141152

ETIM

ETIM 10.0	EC002780
-----------	----------

UNSPSC

UNSPSC 21.0	39121400
-------------	----------

2760623

<https://www.phoenixcontact.com/us/products/2760623>

Environmental product compliance

EU RoHS

Fulfills EU RoHS substance requirements	Yes, No exemptions
---	--------------------

China RoHS

Environment friendly use period (EFUP)	EFUP-50
	An article-related China RoHS declaration table can be found in the download area for the respective article under "Manufacturer declaration". For all articles with EFUP-E, no China RoHS declaration table issued and required.

EU REACH SVHC

REACH candidate substance (CAS No.)	No substance above 0.1 wt%
-------------------------------------	----------------------------

EF3.1 Climate Change

CO2e kg	1.573 kg CO2e
---------	---------------

Phoenix Contact 2026 © - all rights reserved
<https://www.phoenixcontact.com>

Phoenix Contact USA
586 Fulling Mill Road
Middletown, PA 17057, United States
(+717) 944-1300
info@phoenixcon.com