

EMK 12-LG - Electronics housing

2757720

<https://www.phoenixcontact.com/us/products/2757720>

Please be informed that the data shown in this PDF document is generated from our online catalog. Please find the complete data in the user documentation. Our general terms of use for downloads are valid.



Electronic housing, with universal foot, for PCB insertion

Commercial data

Item number	2757720
Packing unit	10 pc
Minimum order quantity	10 pc
Note	Made to order (non-returnable)
Sales key	AC11
Product key	ACHCAC
GTIN	4017918132200
Weight per piece (including packing)	14 g
Weight per piece (excluding packing)	13.74 g
Customs tariff number	85369010
Country of origin	DE

2757720

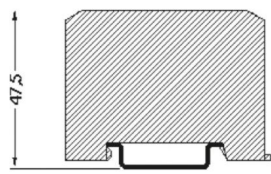
<https://www.phoenixcontact.com/us/products/2757720>

Technical data

Product properties

Housing type	Complete housing
Type	Compact design, without screw connection terminal blocks
Number of positions	4

Dimensions

Dimensional drawing	
Width	12.5 mm
Height NS 35/7,5	47.5 mm
Depth	60 mm
Length	60 mm

Material specifications

Color	green
Flammability rating according to UL 94	V0
Housing material	Polycarbonate fiber reinforced

Environmental and real-life conditions

Ambient conditions

Ambient temperature (operation)	-40 °C ... 125 °C
---------------------------------	-------------------

EMK 12-LG - Electronics housing

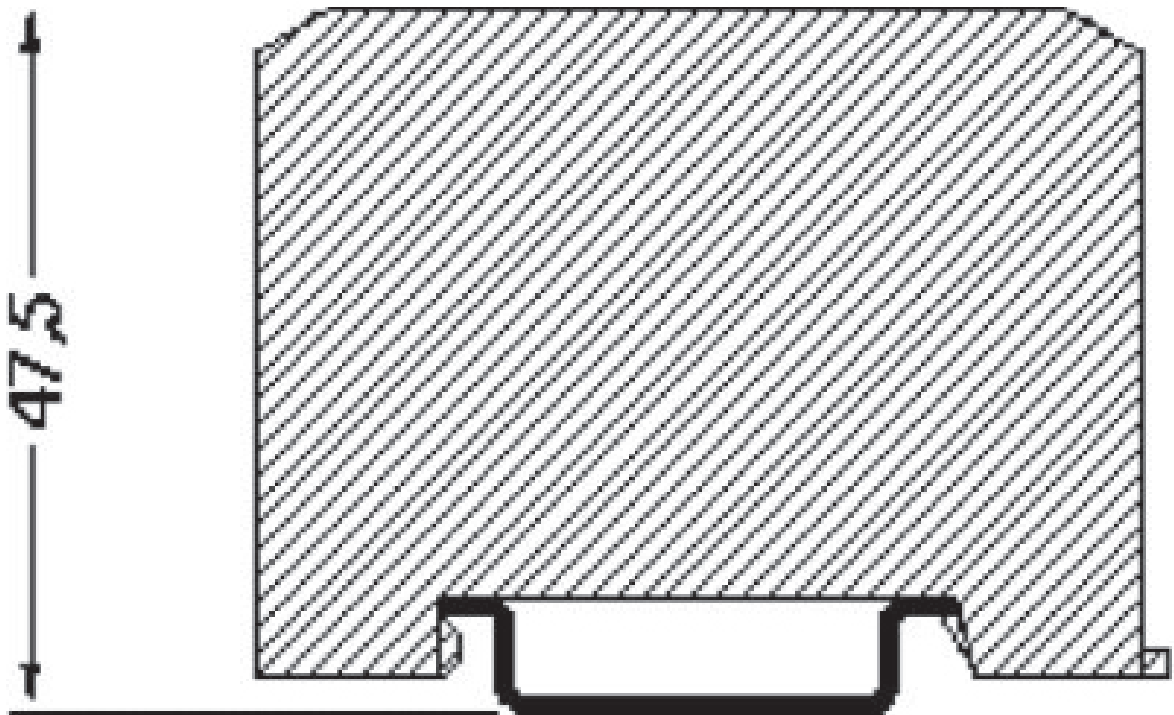
2757720

<https://www.phoenixcontact.com/us/products/2757720>



Drawings

Dimensional drawing



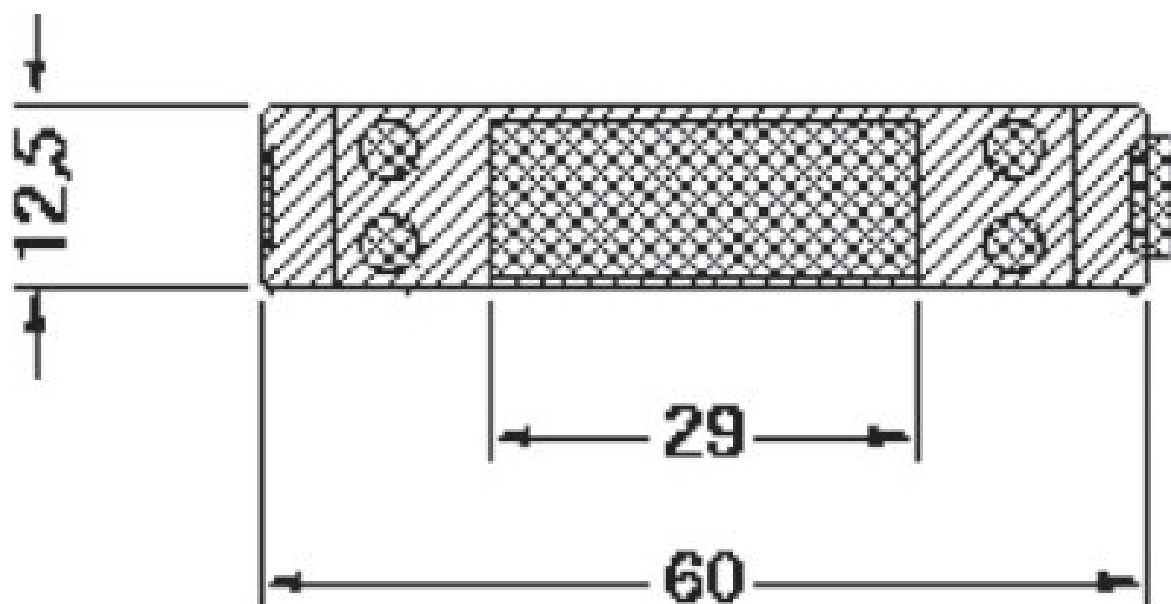
EMK 12-LG - Electronics housing

2757720

<https://www.phoenixcontact.com/us/products/2757720>



Dimensional drawing



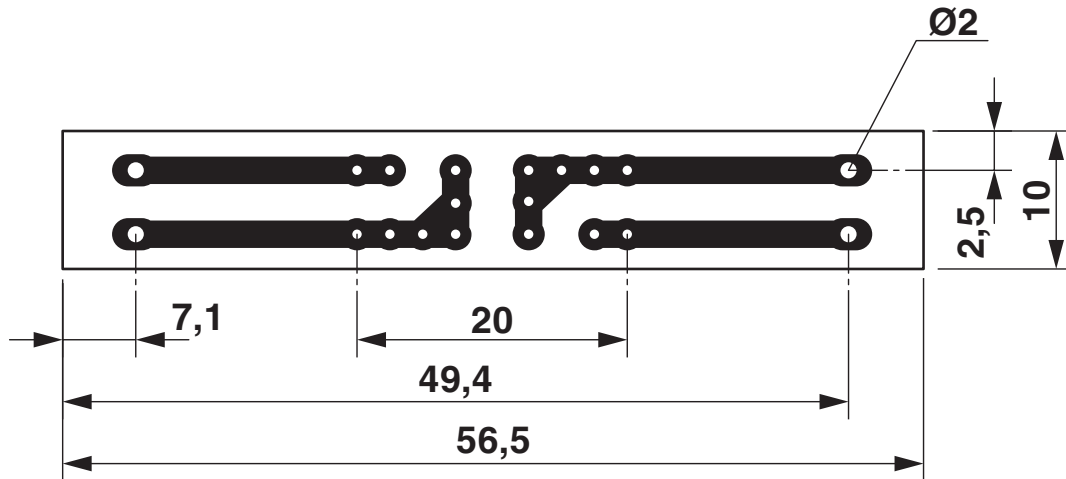
EMK 12-LG - Electronics housing

2757720

<https://www.phoenixcontact.com/us/products/2757720>



Dimensional drawing



Overall component area EMK 12

EMK 12-LG - Electronics housing



2757720

<https://www.phoenixcontact.com/us/products/2757720>

Environmental product compliance

EU RoHS

Fulfills EU RoHS substance requirements	Yes, No exemptions
---	--------------------

China RoHS

Environment friendly use period (EFUP)	EFUP-E
	No hazardous substances above the limits

EU REACH SVHC

REACH candidate substance (CAS No.)	No substance above 0.1 wt%
-------------------------------------	----------------------------

Phoenix Contact 2026 © - all rights reserved
<https://www.phoenixcontact.com>

Phoenix Contact USA
586 Fulling Mill Road
Middletown, PA 17057, United States
(+717) 944-1300
info@phoenixcon.com