

UEG-EU-BE GY - Electronics housing



2757429

<https://www.phoenixcontact.com/us/products/2757429>

Please be informed that the data shown in this PDF document is generated from our online catalog. Please find the complete data in the user documentation. Our general terms of use for downloads are valid.



Electronics housing base element with snap-on foot for mounting on standard DIN rail, 35 mm wide

The figure shows a fully mounted version of the electronic housing

Commercial data

Item number	2757429
Packing unit	10 pc
Minimum order quantity	100 pc
Note	Made to order (non-returnable)
Product key	ACHCCF
GTIN	4017918272791
Weight per piece (including packing)	83.11 g
Weight per piece (excluding packing)	60.998 g
Country of origin	DE

2757429

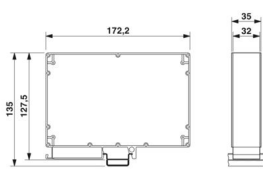
<https://www.phoenixcontact.com/us/products/2757429>

Technical data

Product properties

Product type	Lower housing part
Housing type	Component housing
Housing series	UEG
Product family	UEG-EU
Type	Housing base element, side panels necessary to complete the module

Dimensions

Dimensional drawing	
Width	35 mm
Depth	172 mm
Length	172 mm

Material specifications

Color (Housing)	green (RAL 6021)
Material Housing	PA (fiber-reinforced)

Environmental and real-life conditions

Ambient conditions

Ambient temperature (operation)	-40 °C ... 105 °C
---------------------------------	-------------------

PCB data

Type of PCB mount	Bolt mounting
-------------------	---------------

Mounting

Mounting type	Latching with housing half-shell
---------------	----------------------------------

UEG-EU-BE GY - Electronics housing

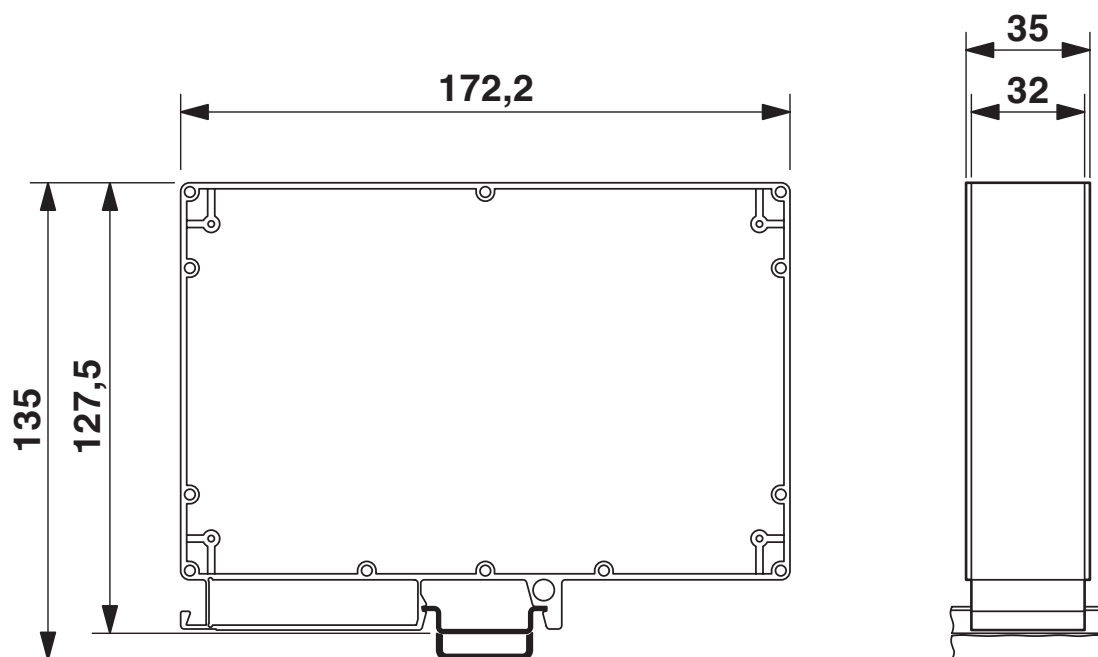
2757429

<https://www.phoenixcontact.com/us/products/2757429>

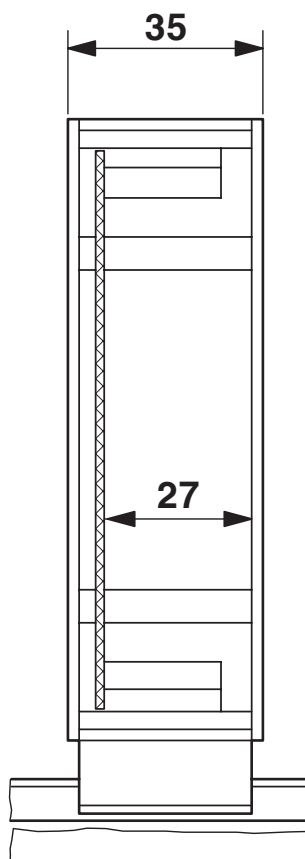


Drawings

Dimensional drawing



Dimensional drawing



Maximum height of the components on the PCB, for 1 PCB

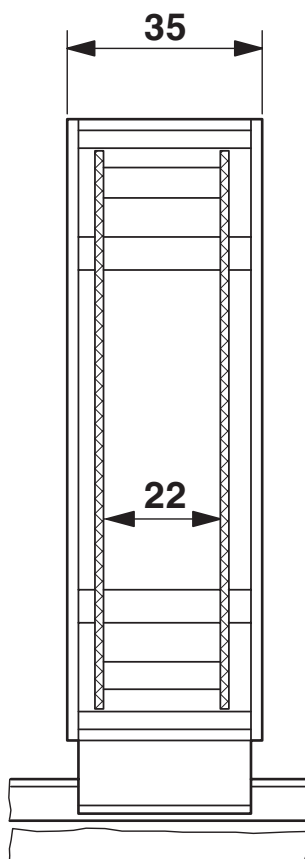
UEG-EU-BE GY - Electronics housing

2757429

<https://www.phoenixcontact.com/us/products/2757429>



Dimensional drawing

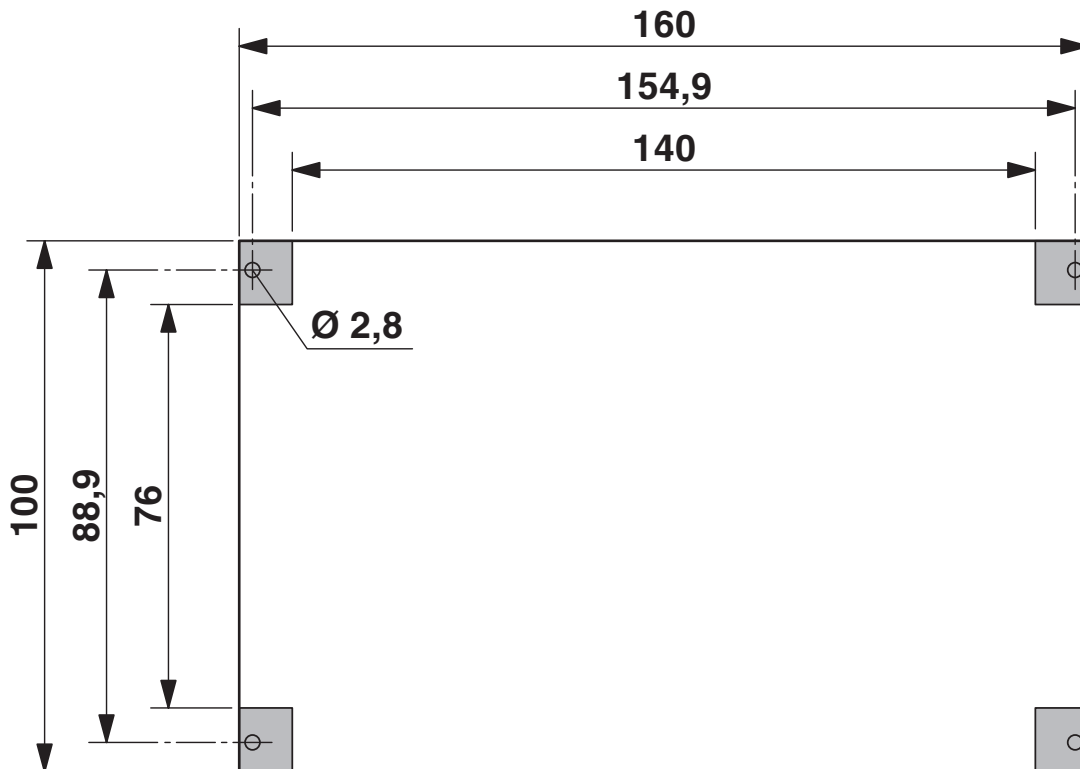


Maximum height of the components on the PCB with 2 PCBs

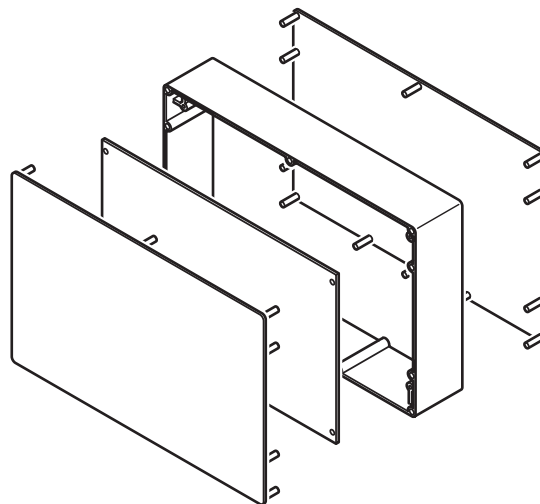
2757429

<https://www.phoenixcontact.com/us/products/2757429>

Dimensional drawing



Exploded view



UEG-EU-BE GY - Electronics housing

2757429

<https://www.phoenixcontact.com/us/products/2757429>



Approvals

To download certificates, visit the product detail page: <https://www.phoenixcontact.com/us/products/2757429>



UL Recognized

Approval ID: E240868

2757429

<https://www.phoenixcontact.com/us/products/2757429>

Classifications

ECLASS

ECLASS-13.0	27190604
ECLASS-15.0	27190604

ETIM

ETIM 10.0	EC002779
-----------	----------

UNSPSC

UNSPSC 21.0	31261500
-------------	----------

2757429

<https://www.phoenixcontact.com/us/products/2757429>

Environmental product compliance

EU RoHS

Fulfills EU RoHS substance requirements	Yes, No exemptions
---	--------------------

China RoHS

Environment friendly use period (EFUP)	EFUP-E
	No hazardous substances above the limits

EU REACH SVHC

REACH candidate substance (CAS No.)	No substance above 0.1 wt%
-------------------------------------	----------------------------

EF3.1 Climate Change

CO2e kg	0.51 kg CO2e
---------	--------------

Phoenix Contact 2026 © - all rights reserved
<https://www.phoenixcontact.com>

Phoenix Contact USA
586 Fulling Mill Road
Middletown, PA 17057, United States
(+717) 944-1300
info@phoenixcon.com