

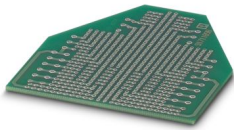
P 1-UEGH - PCB

2757335

<https://www.phoenixcontact.com/us/products/2757335>

Please be informed that the data shown in this PDF document is generated from our online catalog. Please find the complete data in the user documentation. Our general terms of use for downloads are valid.

PCB for custom fitting electronic components



Commercial data

Item number	2757335
Packing unit	10 pc
Minimum order quantity	1 pc
Sales key	AC11
Product key	ACHCCZ
GTIN	4017918063559
Weight per piece (including packing)	18.3 g
Weight per piece (excluding packing)	15.76 g
Customs tariff number	85340019
Country of origin	DE

P 1-UEGH - PCB

2757335

<https://www.phoenixcontact.com/us/products/2757335>



Technical data

Product properties

Product type	PCB
Housing series	UEG
Product family	UEGH

Material specifications

Color (Housing)	green (RAL 6021)
-----------------	------------------

P 1-UEGH - PCB

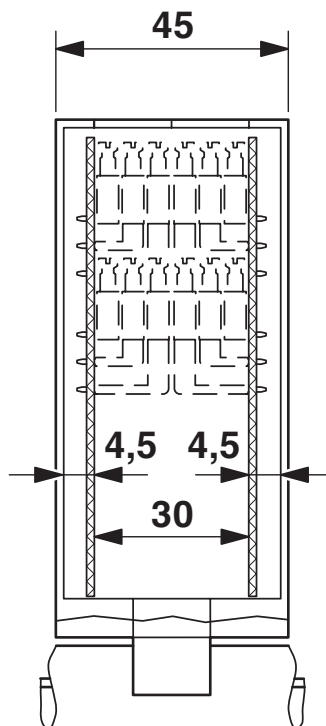
2757335

<https://www.phoenixcontact.com/us/products/2757335>

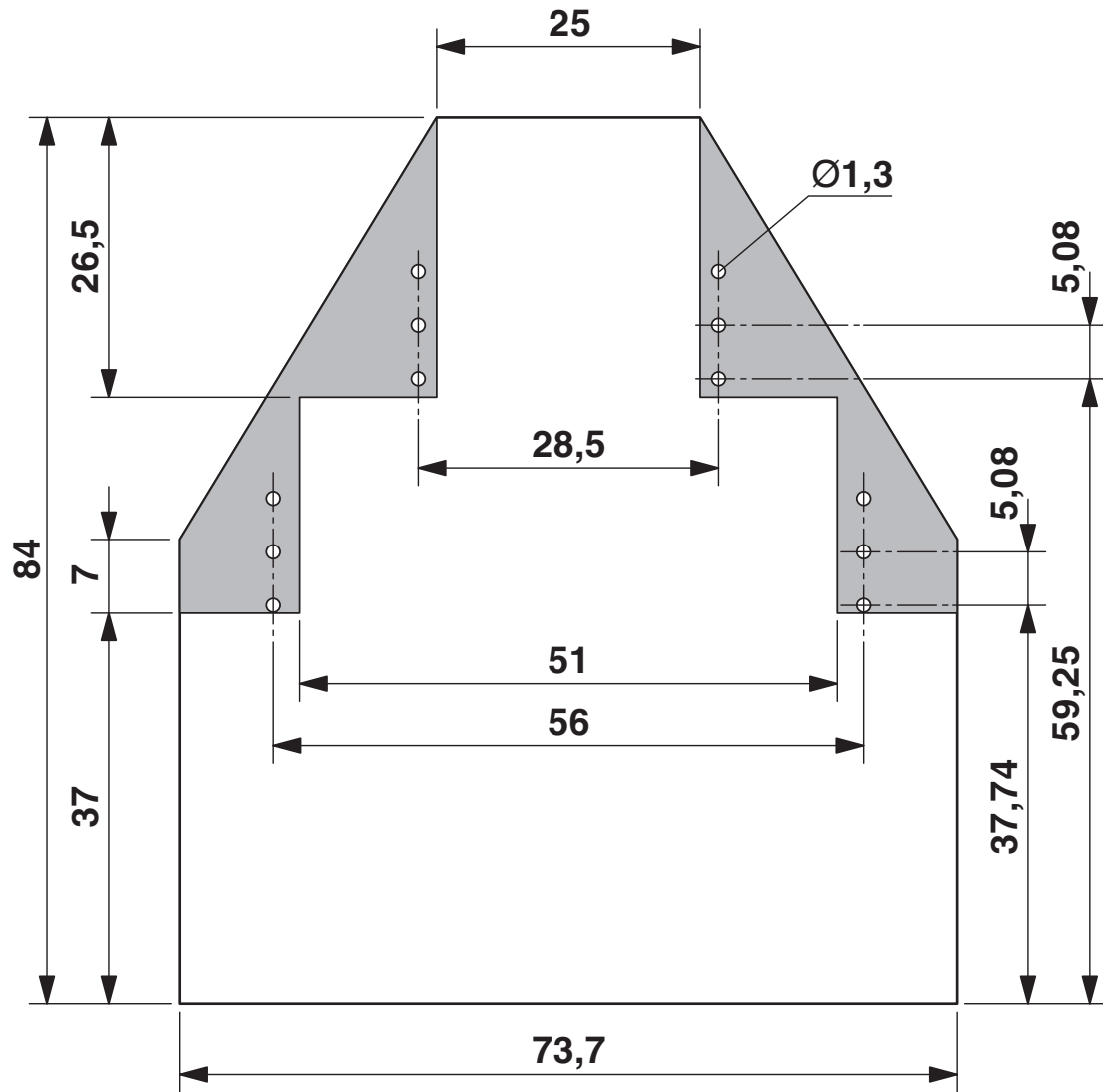


Drawings

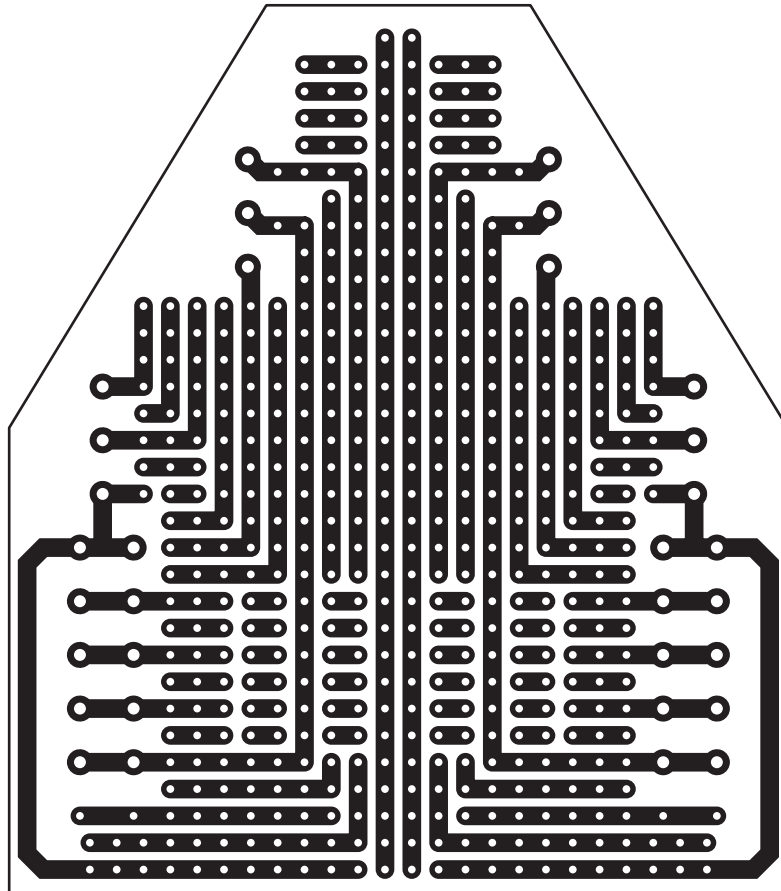
Dimensional drawing



Dimensional drawing



Schematic diagram



P 1-UEGH - PCB



2757335

<https://www.phoenixcontact.com/us/products/2757335>

Classifications

ECLASS

ECLASS-13.0	27260692
ECLASS-15.0	27260692

ETIM

ETIM 10.0	EC001031
-----------	----------

UNSPSC

UNSPSC 21.0	31261500
-------------	----------

P 1-UEGH - PCB



2757335

<https://www.phoenixcontact.com/us/products/2757335>

Environmental product compliance

EU RoHS

Fulfills EU RoHS substance requirements	Yes, No exemptions
---	--------------------

China RoHS

Environment friendly use period (EFUP)	EFUP-E
	No hazardous substances above the limits

EU REACH SVHC

REACH candidate substance (CAS No.)	No substance above 0.1 wt%
-------------------------------------	----------------------------

Phoenix Contact 2026 © - all rights reserved
<https://www.phoenixcontact.com>

Phoenix Contact USA
586 Fulling Mill Road
Middletown, PA 17057, United States
(+717) 944-1300
info@phoenixcon.com