

UEGM 25 BK OHNE LOGO - Electronics housing



2757306

<https://www.phoenixcontact.com/us/products/2757306>

Please be informed that the data shown in this PDF document is generated from our online catalog. Please find the complete data in the user documentation. Our general terms of use for downloads are valid.



Electronic housing, for PCB insertion, fully equipped with 3 screw or 6 tab connections per side

The figure shows version UEGM 22.
5

Commercial data

Item number	2757306
Packing unit	10 pc
Minimum order quantity	1 pc
Note	Made to order (non-returnable)
Sales key	AC11
Product key	ACHCCB
GTIN	4017918272739
Weight per piece (including packing)	56.4 g
Weight per piece (excluding packing)	47.618 g
Customs tariff number	85369010
Country of origin	DE

2757306

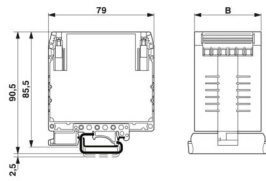
<https://www.phoenixcontact.com/us/products/2757306>

Technical data

Product properties

Product type	Complete housing
Housing type	Component housing
Housing type	Basic housing
Housing series	UEGM
Product family	UEGM 25
Type	Connection system integrated, housing closed
Number of positions	6
Ventilation openings present	no

Dimensions

Dimensional drawing	
Width	25 mm
Length	79 mm

Material specifications

Color (Housing)	black (RAL 9005)
Material Housing	PA
Flammability rating according to UL 94	V2

Environmental and real-life conditions

Ambient conditions

Ambient temperature (operation)	-40 °C ... 105 °C
---------------------------------	-------------------

Mounting

Mounting type	DIN rail mounting
---------------	-------------------

UEGM 25 BK OHNE LOGO - Electronics housing

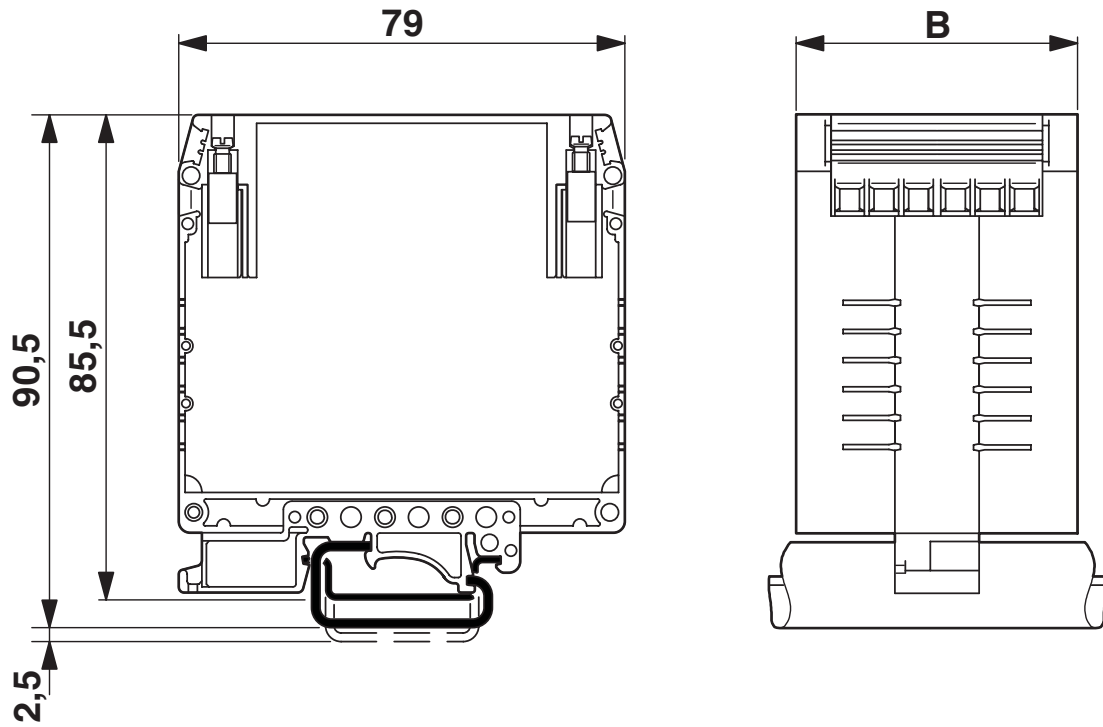
2757306

<https://www.phoenixcontact.com/us/products/2757306>



Drawings

Dimensional drawing



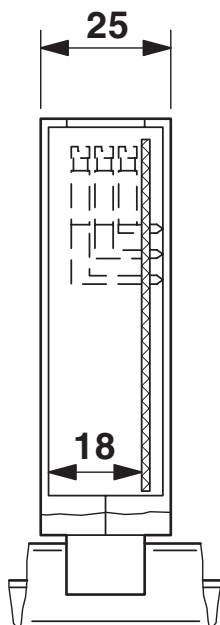
UEGM 25 BK OHNE LOGO - Electronics housing

2757306

<https://www.phoenixcontact.com/us/products/2757306>



Dimensional drawing



UEGM 25... und UEGM 27,5-SMD with 1 PCB, 6 positions or 12 positions (FS/FS)

Dimensional drawing

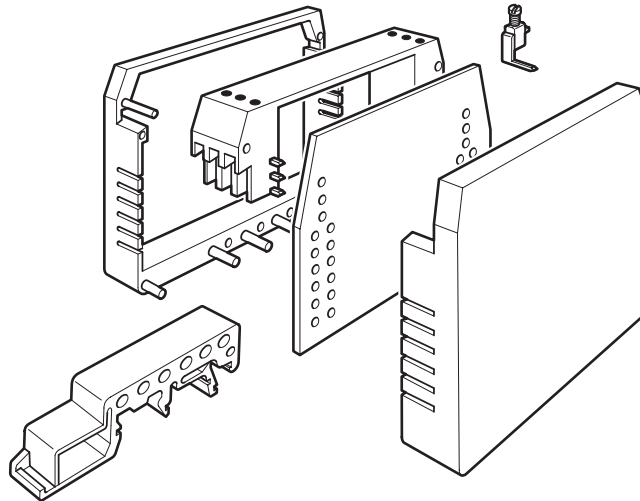


UEGM 25 BK OHNE LOGO - Electronics housing

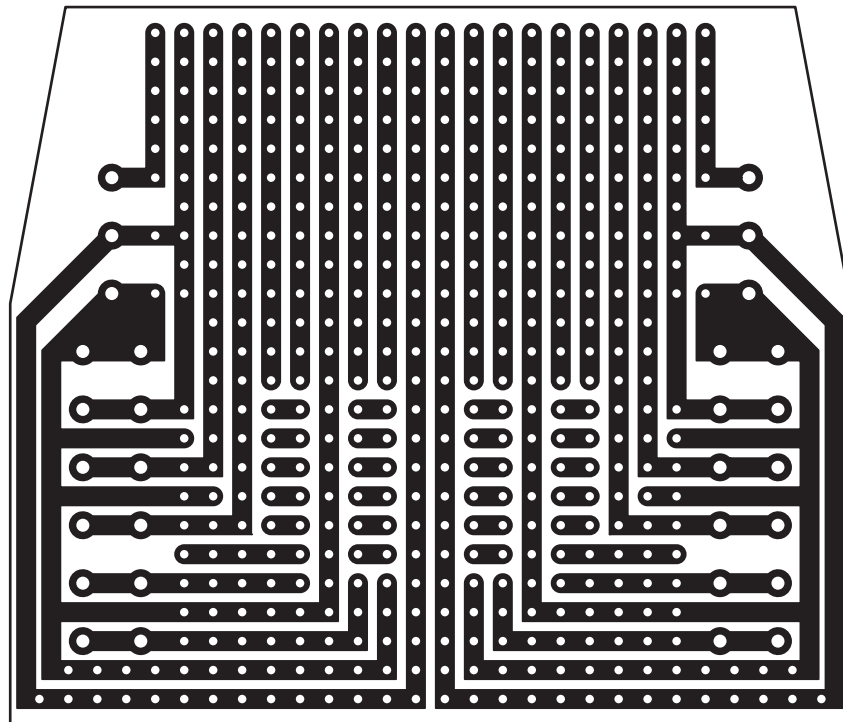
2757306

<https://www.phoenixcontact.com/us/products/2757306>

Exploded view



Schematic diagram



UEGM 25 BK OHNE LOGO - Electronics housing




2757306

<https://www.phoenixcontact.com/us/products/2757306>

Approvals

To download certificates, visit the product detail page: <https://www.phoenixcontact.com/us/products/2757306>

 cULus Recognized Approval ID: E60425-19770427		Nominal voltage U_N	Nominal current I_N	Cross section AWG	Cross section mm^2
keine		300 V	10 A	30 - 12	-

2757306

<https://www.phoenixcontact.com/us/products/2757306>

Classifications

ECLASS

ECLASS-13.0	27190501
ECLASS-15.0	27190501

ETIM

ETIM 10.0	EC001031
-----------	----------

UNSPSC

UNSPSC 21.0	31261500
-------------	----------

UEGM 25 BK OHNE LOGO - Electronics housing



2757306

<https://www.phoenixcontact.com/us/products/2757306>

Environmental product compliance

EU RoHS

Fulfills EU RoHS substance requirements	Yes, No exemptions
---	--------------------

China RoHS

Environment friendly use period (EFUP)	EFUP-E
	No hazardous substances above the limits

EU REACH SVHC

REACH candidate substance (CAS No.)	No substance above 0.1 wt%
-------------------------------------	----------------------------

EF3.1 Climate Change

CO2e kg	0.304 kg CO2e
---------	---------------

Phoenix Contact 2026 © - all rights reserved
<https://www.phoenixcontact.com>

Phoenix Contact USA
586 Fulling Mill Road
Middletown, PA 17057, United States
(+717) 944-1300
info@phoenixcon.com