

UEGH 42,5/2-SMD - Electronics housing

2757160

<https://www.phoenixcontact.com/us/products/2757160>

Please be informed that the data shown in this PDF document is generated from our online catalog. Please find the complete data in the user documentation. Our general terms of use for downloads are valid.



Electronic housing, double-level, fully equipped with 12 screw connections per side for two printed circuit boards, for mounting of SMD components

The figure shows version UEGH 40/1

Your advantages

- Efficient assembly thanks to overlapping housing parts
- Increased number of positions thanks to optional UEGM-MT FS slip-on connections
- Snap-on mounting on standard DIN rails NS 35/7.5 or NS 35/15
- Can accommodate up to two PCBs

Commercial data

Item number	2757160
Packing unit	10 pc
Minimum order quantity	10 pc
Note	Made to order (non-returnable)
Product key	ACHCCD
GTIN	4017918139490
Weight per piece (including packing)	122.1 g
Weight per piece (excluding packing)	106.208 g
Country of origin	DE

2757160

<https://www.phoenixcontact.com/us/products/2757160>

Technical data

Product properties

Product type	Complete housing
Housing type	Complete housing
Product family	UEGH
Type	Connection system integrated, housing closed
Number of positions	24
Pitch	5 mm
Number of rows	2
Pin layout	Linear pinning

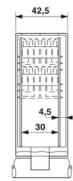
Electrical properties

Nominal voltage U_N	500 V
Nominal current I_N	10 A

Connection data

Connection method	Screw connection
-------------------	------------------

Dimensions

Dimensional drawing	
Width	42.5 mm
Installed height	106.7 mm
Height NS 35/7,5	106.7 mm
Depth	79 mm
Length	79 mm
Pitch	5 mm

Material specifications

Color	green
Flammability rating according to UL 94	V2
Housing material	PA 6.6

Environmental and real-life conditions

Ambient conditions

Ambient temperature (operation)	-40 °C ... 105 °C
---------------------------------	-------------------

Mounting

UEGH 42,5/2-SMD - Electronics housing

2757160

<https://www.phoenixcontact.com/us/products/2757160>



Mounting type	Soldering
Pin layout	Linear pinning

UEGH 42,5/2-SMD - Electronics housing

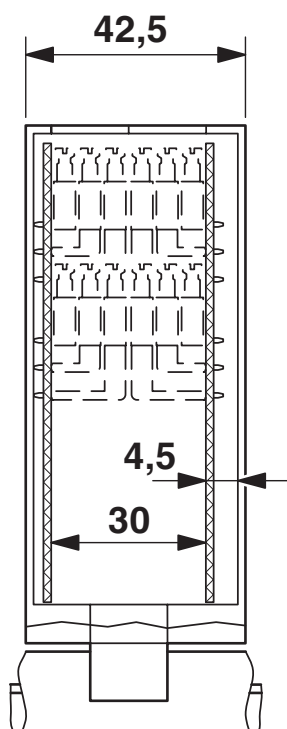
2757160

<https://www.phoenixcontact.com/us/products/2757160>



Drawings

Dimensional drawing



For 2 PCBs, for equipping one reverse side of the PCB with SMD components, 24 positions

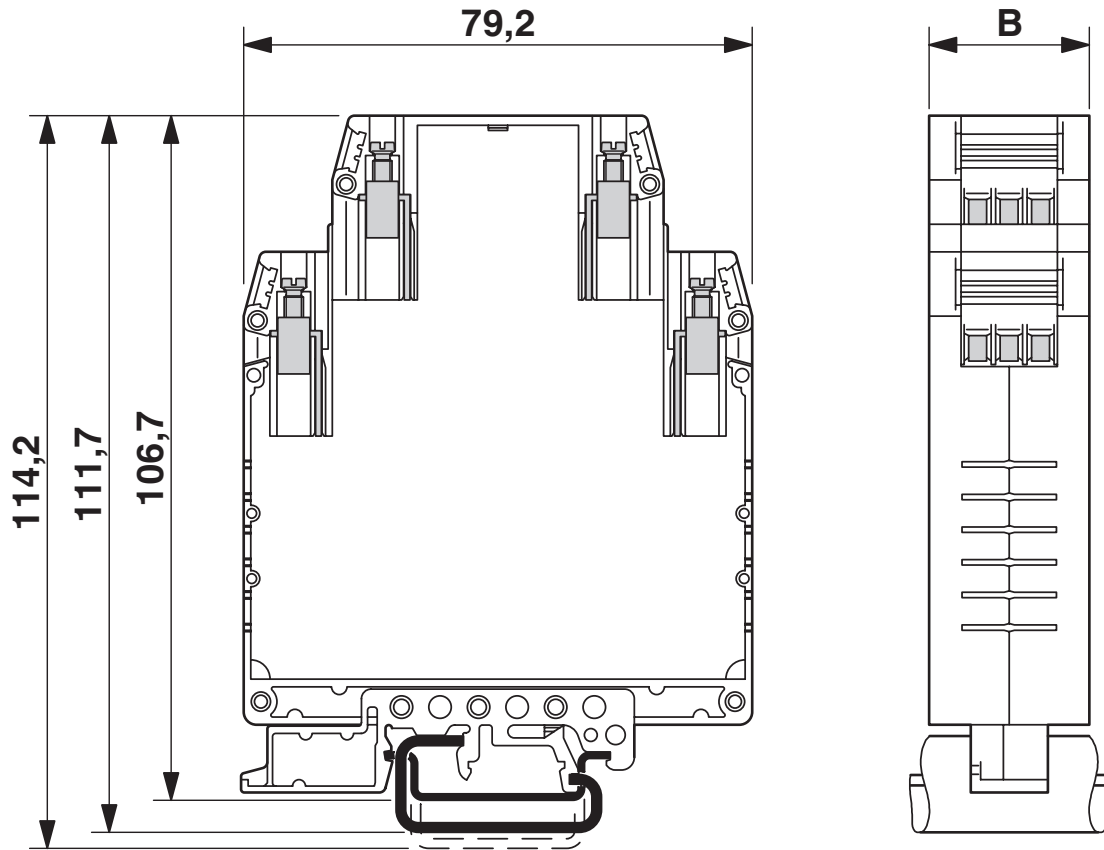
UEGH 42,5/2-SMD - Electronics housing

2757160

<https://www.phoenixcontact.com/us/products/2757160>



Dimensional drawing

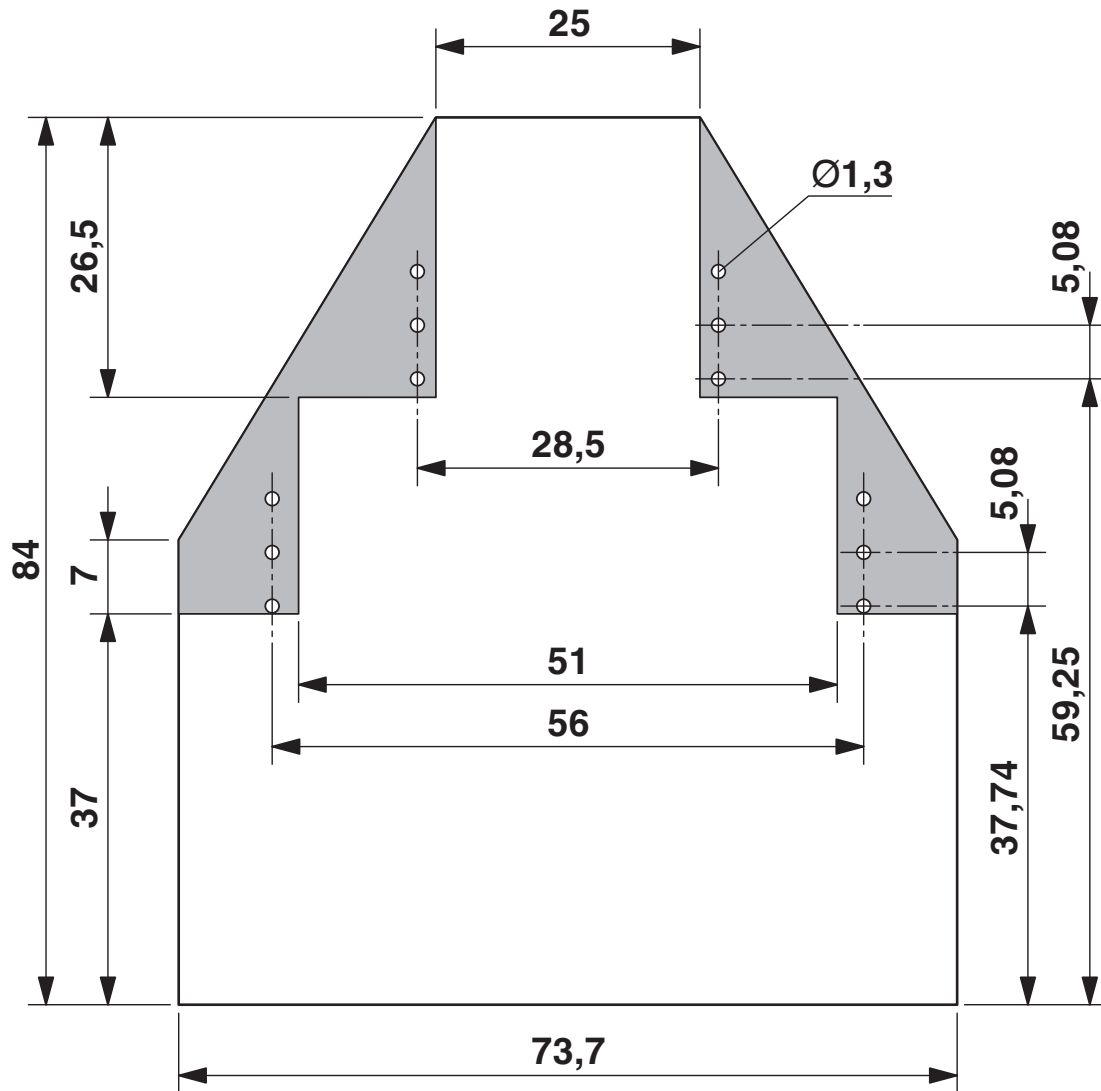


UEGH 42,5/2-SMD - Electronics housing

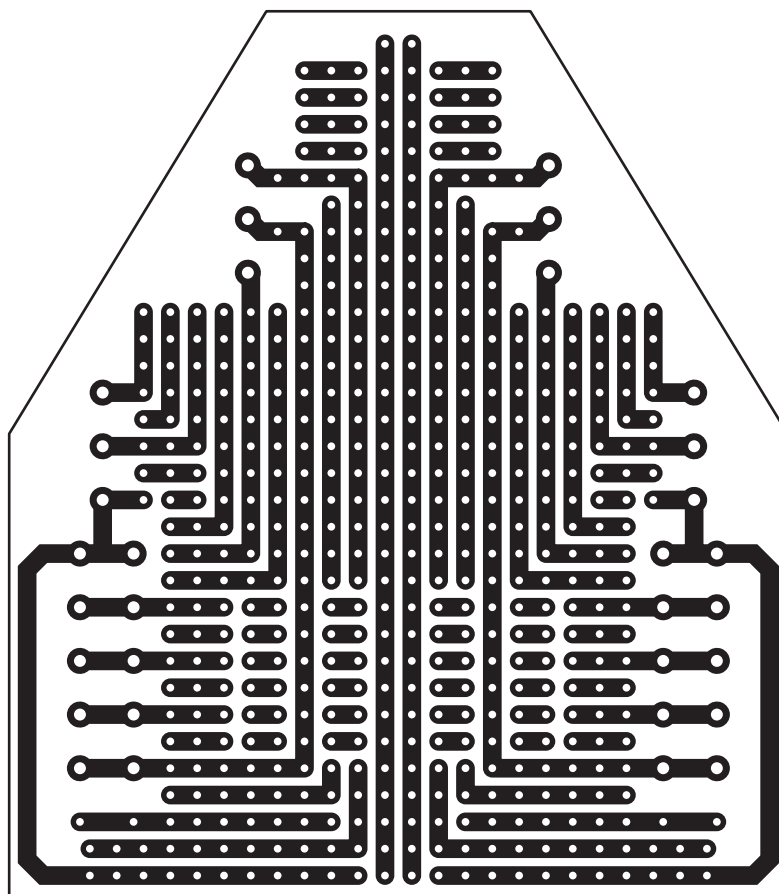
2757160

<https://www.phoenixcontact.com/us/products/2757160>

Dimensional drawing



Schematic diagram



UEGH 42,5/2-SMD - Electronics housing

2757160

<https://www.phoenixcontact.com/us/products/2757160>



Classifications

UNSPSC

UNSPSC 21.0	31261500
-------------	----------

2757160

<https://www.phoenixcontact.com/us/products/2757160>

Environmental product compliance

EU RoHS

Fulfills EU RoHS substance requirements	Yes, No exemptions
---	--------------------

China RoHS

Environment friendly use period (EFUP)	EFUP-50
	An article-related China RoHS declaration table can be found in the download area for the respective article under "Manufacturer declaration". For all articles with EFUP-E, no China RoHS declaration table issued and required.

EU REACH SVHC

REACH candidate substance (CAS No.)	No substance above 0.1 wt%
-------------------------------------	----------------------------

Phoenix Contact 2026 © - all rights reserved

<https://www.phoenixcontact.com>

Phoenix Contact USA
586 Fulling Mill Road
Middletown, PA 17057, United States
(+717) 944-1300
info@phoenixcon.com