

IB ST 24 BDO 8/3 - I/O module



2750811

<https://www.phoenixcontact.com/us/products/2750811>

Please be informed that the data shown in this PDF document is generated from our online catalog. Please find the complete data in the user documentation. Our general terms of use for downloads are valid.



INTERBUS-ST digital output module, 8 outputs, 24 V DC, 250 mA, 3-conductor connection technology, IP20 degree of protection, consisting of: terminal part with screw connection and module electronics

Product description

INTERBUS ST standard digital output modules

The digital INTERBUS output modules are designed for the connection of digital actuators, such as electromechanical valves, contactors or lamps. In addition to the standard IB ST 24 BDO modules, the range is rounded off by modules with extended functionality.

The scope of functions provided by the standard models covers the majority of applications. On top of this, several modules provide additional electronic functions, such as:

- Output channels in up to four electrically isolated groups
- Separate electronic short-circuit protection for each output channel
- Higher output current, which are needed in individual applications.

All the typical advantages of INTERBUS-ST handling, such as multi-wire connection methods and plug-in electronics are provided by both product lines.

Commercial data

Item number	2750811
Packing unit	1 pc
Note	Made to order (non-returnable)
Sales key	NULL
Product key	DRI332
GTIN	4017918108434
Weight per piece (including packing)	490.5 g
Weight per piece (excluding packing)	4.88 g
Customs tariff number	85389091
Country of origin	DE

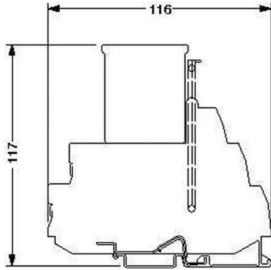
IB ST 24 BDO 8/3 - I/O module

2750811

<https://www.phoenixcontact.com/us/products/2750811>

Technical data

Dimensions

Dimensional drawing	
Width	81 mm
Height	117 mm
Depth	116 mm

Interfaces

ST local bus

Connection method	ST local bus connector
Transmission speed	500 kbps

Output data

Digital:

Output name	Digital outputs
Connection method	Screw connection
Connection technology	3-conductor
Number of outputs	8
Protective circuit	Short-circuit protection; electronic Overload protection; Fuse in header
Maximum output current per group	800 mA
Maximum output current per channel	250 mA
Maximum output current per module / terminal block	2 A
Maximum operating frequency with ohmic nominal load	max. 100 Hz (96 Ω)

Product properties

Product type	I/O component
Product family	Smart Terminal ST
Type	modular
Mounting position	Horizontal DIN rail
No. of channels	8

Electrical properties

Supply: Module electronics

IB ST 24 BDO 8/3 - I/O module



2750811

<https://www.phoenixcontact.com/us/products/2750811>

Supply voltage	24 V DC
Supply voltage range	20 V DC ... 30 V DC (including ripple)
Current consumption	50 mA
Ripple	3.6 V _{pp} within the allowable voltage range

Connection data

Connection technology

Connection name	Terminal block
-----------------	----------------

Terminal block

Connection method	Screw connection
Conductor cross-section, rigid	0.2 mm ² ... 2.5 mm ²
Conductor cross-section, flexible	0.2 mm ² ... 2.5 mm ²
Conductor cross-section AWG	24 ... 12

Environmental and real-life conditions

Ambient conditions

Ambient temperature (operation)	0 °C ... 55 °C
Degree of protection	IP20
Air pressure (operation)	86 kPa ... 108 kPa (1500 m above sea level)
Air pressure (storage/transport)	66 kPa ... 108 kPa (3500 m above sea level)
Ambient temperature (storage/transport)	-25 °C ... 70 °C
Permissible humidity (operation)	75 % (non-condensing)
Permissible humidity (storage/transport)	95 % (non-condensing)

Standards and regulations

Protection class	III (IEC 61140, EN 61140, VDE 0140-1)
------------------	---------------------------------------

Mounting

Mounting type	DIN rail mounting
Mounting position	Horizontal DIN rail

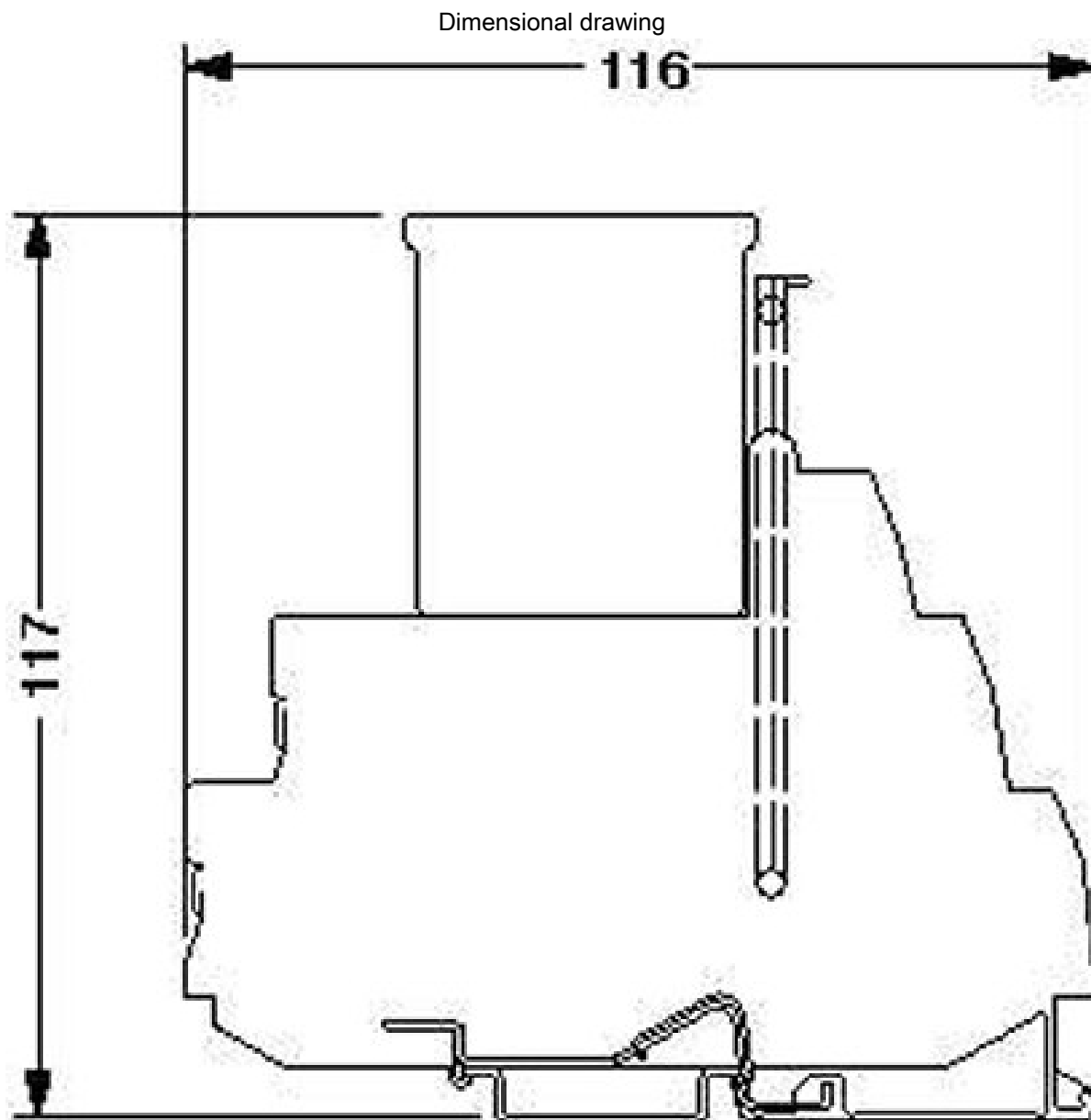
IB ST 24 BDO 8/3 - I/O module



2750811

<https://www.phoenixcontact.com/us/products/2750811>

Drawings



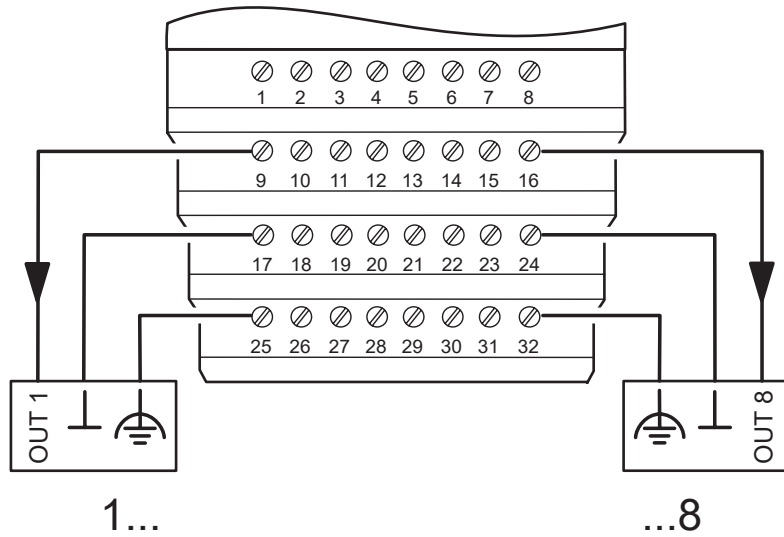
IB ST 24 BDO 8/3 - I/O module

2750811

<https://www.phoenixcontact.com/us/products/2750811>



Connection diagram

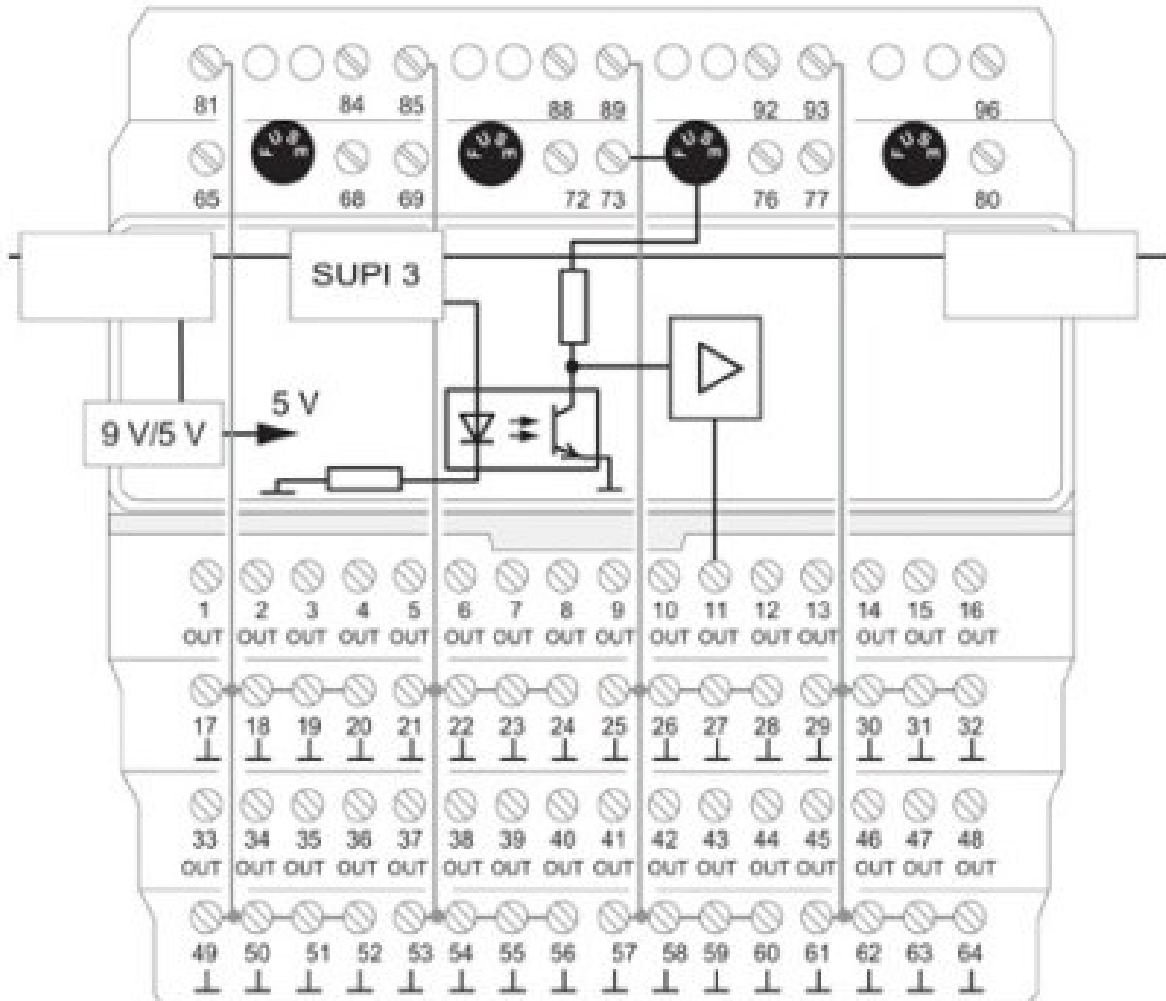


IB ST 24 BDO 8/3 - I/O module

2750811

<https://www.phoenixcontact.com/us/products/2750811>

Block diagram



2750811

<https://www.phoenixcontact.com/us/products/2750811>

Environmental product compliance

EU RoHS

Fulfills EU RoHS substance requirements	Yes
Exemption	6(a), 6(a)-I, 6(c), 7(a), 7(c)-I

China RoHS

Environment friendly use period (EFUP)	EFUP-E
	No hazardous substances above the limits

EU REACH SVHC

REACH candidate substance (CAS No.)	Lead(CAS: 7439-92-1)
-------------------------------------	----------------------

Phoenix Contact 2026 © - all rights reserved

<https://www.phoenixcontact.com>

Phoenix Contact USA
586 Fulling Mill Road
Middletown, PA 17057, United States
(+717) 944-1300
info@phoenixcon.com