

IB ST 24 BDI 8/4 - I/O module

2750808

<https://www.phoenixcontact.com/us/products/2750808>



Please be informed that the data shown in this PDF document is generated from our online catalog. Please find the complete data in the user documentation. Our general terms of use for downloads are valid.



INTERBUS-ST digital input module, 8 inputs, 24 V DC, 4-conductor connection technology, IP20 degree of protection, consisting of: terminal part with screw connection and module electronics

Commercial data

Item number	2750808
Packing unit	1 pc
Note	Made to order (non-returnable)
Sales key	NULL
Product key	DRI331
GTIN	4017918108427
Weight per piece (including packing)	486.3 g
Weight per piece (excluding packing)	486.3 g
Customs tariff number	85389091
Country of origin	DE

Technical data

Electrical properties

Test section	Bus logic/Inputs 500 V AC 50 Hz 1 min
Supply	
Communications power U_L	9 V DC (from the ST local bus)
I/O voltage	24 V DC
I/O voltage range	20 V DC ... 30 V DC
Residual ripple	± 1.2 V
Typical current consumption	50 mA (from the ST local bus)

Input data

Digital

Number of inputs	8
Input voltage range "0" signal	-30 V DC ... 5 V DC
Input voltage range "1" signal	15 V DC ... 30 V DC
Protective circuit	Short-circuit protected initiator supply; Fuse Reverse polarity protection; With inverse-parallel diode and fuse
Connection method	Screw connection
Connection technology	4-conductor
Typical input current per channel	6 mA (at 24 V DC)

Connection data

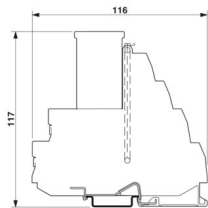
Connection method	Screw connection
Conductor cross-section, rigid	0.2 mm ² ... 2.5 mm ²
Conductor cross-section, flexible	0.2 mm ² ... 2.5 mm ²
Conductor cross-section AWG	24 ... 12

Interfaces

ST local bus

Connection method	ST local bus connector
Transmission physics	Copper

Dimensions

Dimensional drawing	
Length	116 mm

IB ST 24 BDI 8/4 - I/O module

2750808

<https://www.phoenixcontact.com/us/products/2750808>



Environmental and real-life conditions

Ambient conditions

Degree of protection	IP20
----------------------	------

IB ST 24 BDI 8/4 - I/O module

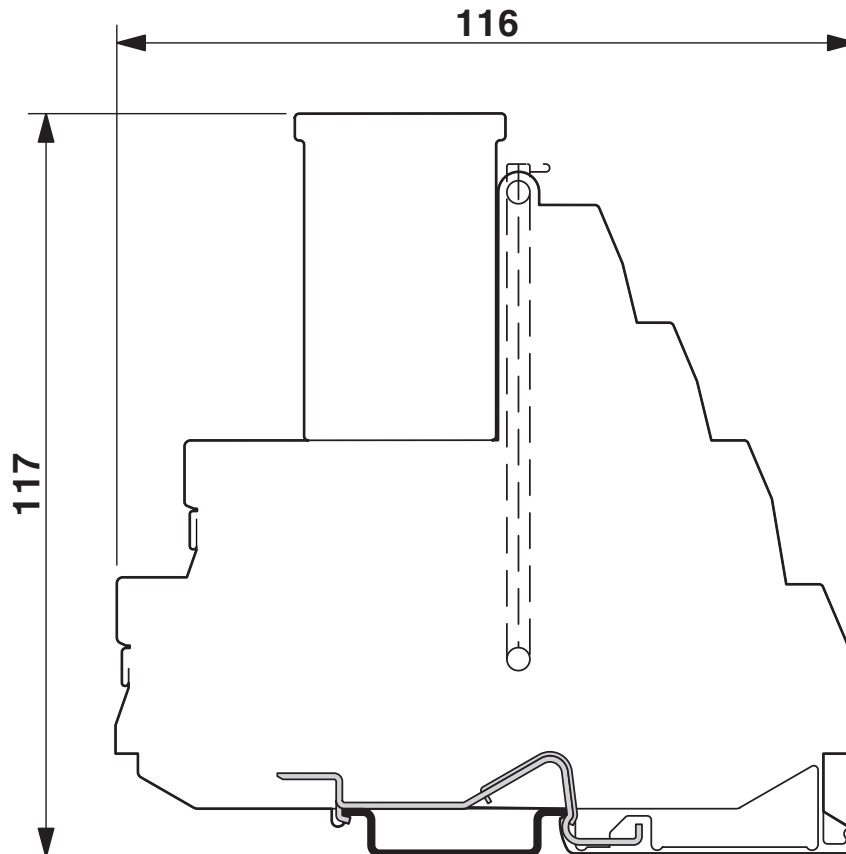
2750808

<https://www.phoenixcontact.com/us/products/2750808>



Drawings

Dimensional drawing



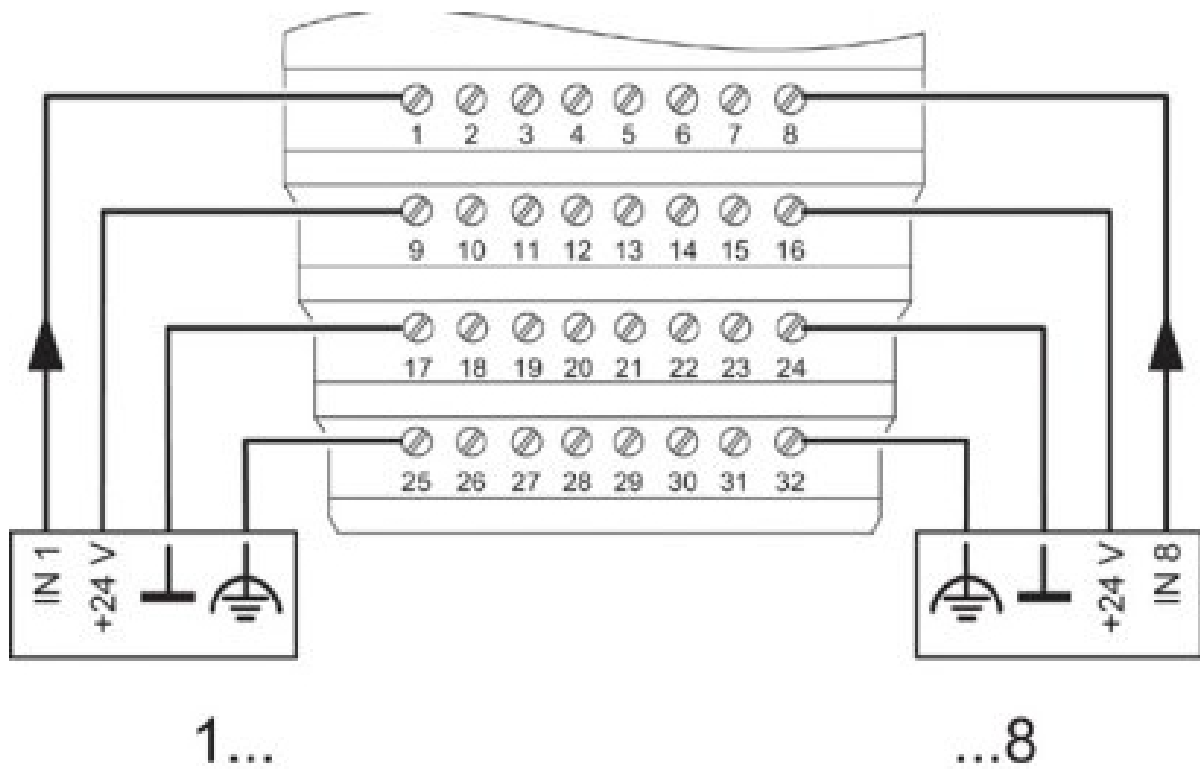
IB ST 24 BDI 8/4 - I/O module

2750808

<https://www.phoenixcontact.com/us/products/2750808>



Connection diagram



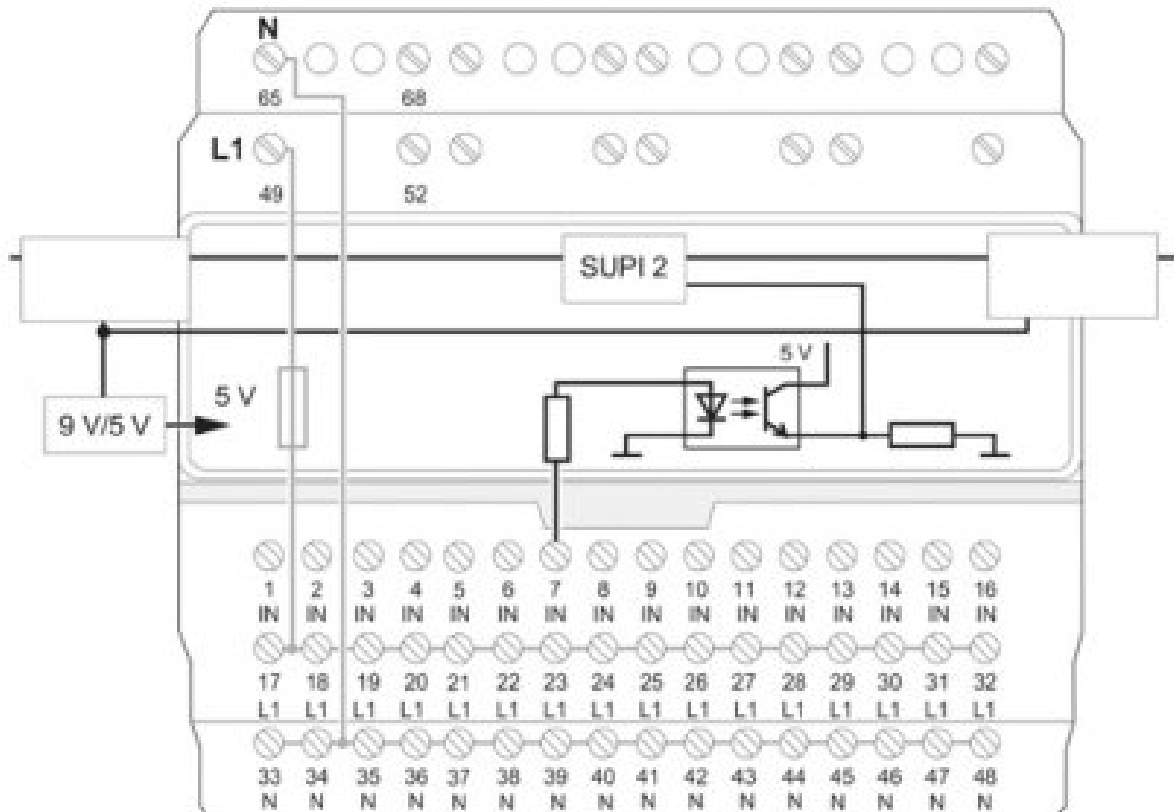
IB ST 24 BDI 8/4 - I/O module

2750808

<https://www.phoenixcontact.com/us/products/2750808>



Block diagram



IB ST 24 BDI 8/4 - I/O module

2750808

<https://www.phoenixcontact.com/us/products/2750808>



Environmental product compliance

EU REACH SVHC

REACH candidate substance (CAS No.)	No substance above 0.1 wt%
-------------------------------------	----------------------------

Phoenix Contact 2026 © - all rights reserved

<https://www.phoenixcontact.com>

Phoenix Contact USA
586 Fulling Mill Road
Middletown, PA 17057, United States
(+717) 944-1300
info@phoenixcon.com