

IB ST ZF 24 BDI 16/4 - I/O module

2750730

<https://www.phoenixcontact.com/us/products/2750730>

Please be informed that the data shown in this PDF document is generated from our online catalog. Please find the complete data in the user documentation. Our general terms of use for downloads are valid.



INTERBUS-ST digital input module, 16 inputs, 24 V DC, 4-conductor connection technology, IP20 degree of protection, consisting of: terminal part with spring-cage connection and module electronics

The figure shows version IB ST 24
BDI 16/4

Product description

INTERBUS ST standard digital input modules

The digital INTERBUS input modules are designed for the connection of digital control signals, such as those generated by switches, limit switches, electronic proximity switches, and photoelectric switches.

The scope of functions provided by the standard models covers the majority of applications.

All the typical advantages of INTERBUS ST handling, such as multi-wire connection method and plug-in electronics are available.

Your advantages

- 16 digital inputs
- Connection of sensors in 4-conductor technology
- Spring-cage connection with direct plug-in technology

Commercial data

Item number	2750730
Packing unit	1 pc
Sales key	DR03
Product key	DRI331
GTIN	4017918132118
Weight per piece (including packing)	662 g
Weight per piece (excluding packing)	662 g
Customs tariff number	85389091
Country of origin	DE

IB ST ZF 24 BDI 16/4 - I/O module

2750730

<https://www.phoenixcontact.com/us/products/2750730>

Technical data

Dimensions

Dimensional drawing	
Width	118 mm
Height	117 mm
Depth	116 mm

Interfaces

ST local bus

Connection method	ST local bus connector
Transmission speed	500 kbps

Input data

Digital:

Input name	Digital inputs
Number of inputs	16
Connection method	Spring-cage connection
Connection technology	4-conductor
Input voltage	24 V DC
Input voltage range "0" signal	-30 V DC ... 5 V DC
Input voltage range "1" signal	15 V DC ... 30 V DC
Nominal input current at U_{IN}	typ. 6 mA (per channel)
Typical response time	50 μ s

Product properties

Product type	I/O component
Product family	Smart Terminal ST
Type	modular INTERBUS Smart Terminal
Mounting position	Horizontal DIN rail
No. of channels	16

Electrical properties

Supply: Module electronics

Supply voltage	24 V DC
----------------	---------

IB ST ZF 24 BDI 16/4 - I/O module



2750730

<https://www.phoenixcontact.com/us/products/2750730>

Supply voltage range	20 V DC ... 30 V DC (including ripple)
Current consumption	typ. 100 mA
Ripple	3.6 V _{pp} within the allowable voltage range

Electrical isolation/isolation of the voltage ranges

Test voltage: Bus logic / I/O	500 V AC, 50 Hz, 1 min
Test voltage: Supply voltage logic / I/O	500 V AC, 50 Hz, 1 min

Connection data

Connection method	Spring-cage connection
Conductor cross-section, rigid	0.2 mm ² ... 1.5 mm ²
Conductor cross-section, flexible	0.2 mm ² ... 1.5 mm ²
Conductor cross-section AWG	24 ... 16
Stripping length	8 mm

Environmental and real-life conditions

Ambient conditions

Ambient temperature (operation)	0 °C ... 55 °C
Degree of protection	IP20
Air pressure (operation)	80 kPa ... 106 kPa (up to 2000 m above sea level)
Air pressure (storage/transport)	80 kPa ... 106 kPa (up to 2000 m above sea level)
Ambient temperature (storage/transport)	-25 °C ... 70 °C
Permissible humidity (operation)	75 % (on average, 85% infrequently, non-condensing)
Permissible humidity (storage/transport)	75 % (on average, 85% infrequently, non-condensing)

Standards and regulations

Protection class	III (IEC 61140, EN 61140, VDE 0140-1)
------------------	---------------------------------------

Mounting

Mounting type	DIN rail mounting
Mounting position	Horizontal DIN rail

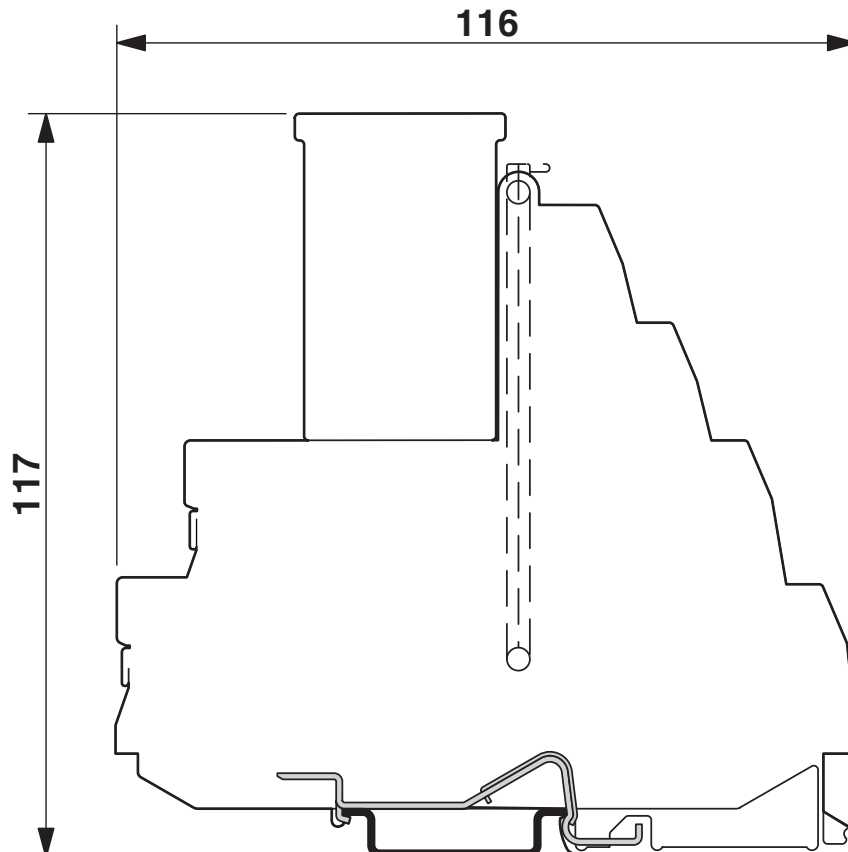
IB ST ZF 24 BDI 16/4 - I/O module

2750730

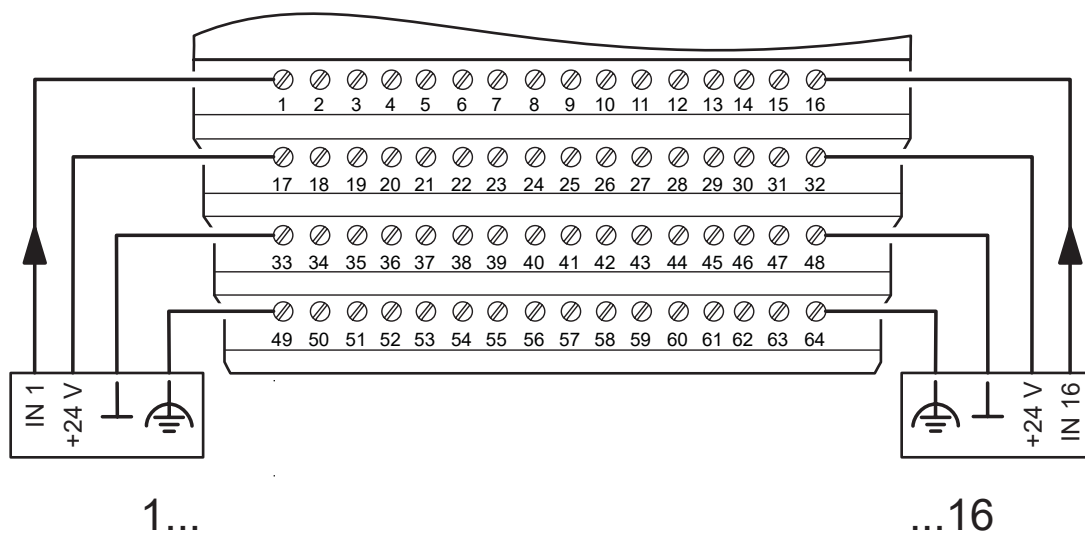
<https://www.phoenixcontact.com/us/products/2750730>

Drawings

Dimensional drawing



Connection diagram

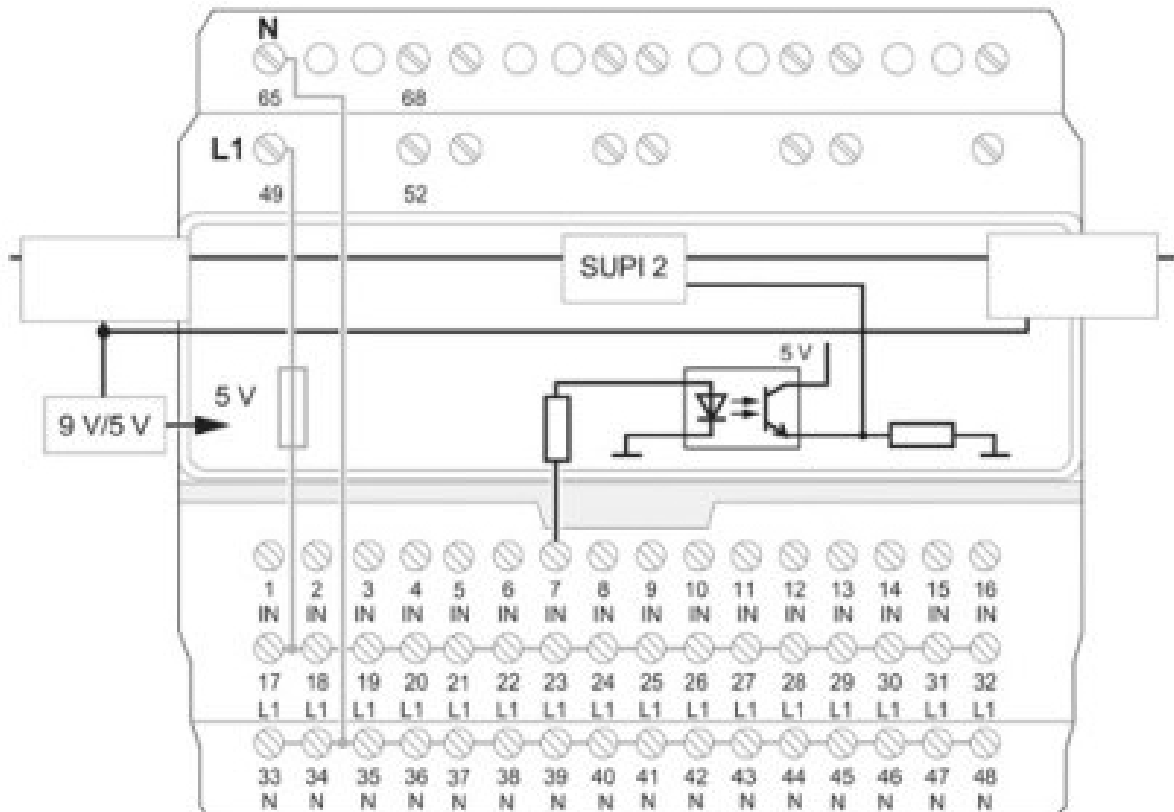


IB ST ZF 24 BDI 16/4 - I/O module

2750730

<https://www.phoenixcontact.com/us/products/2750730>

Block diagram



IB ST ZF 24 BDI 16/4 - I/O module



2750730

<https://www.phoenixcontact.com/us/products/2750730>

Classifications

ECLASS

ECLASS-13.0	27242604
ECLASS-15.0	27242604

UNSPSC

UNSPSC 21.0	32151600
-------------	----------

2750730

<https://www.phoenixcontact.com/us/products/2750730>

Environmental product compliance

EU RoHS

Fulfills EU RoHS substance requirements	Yes
Exemption	6(a), 6(a)-I, 6(c), 7(a), 7(c)-I

China RoHS

Environment friendly use period (EFUP)	EFUP-50
	An article-related China RoHS declaration table can be found in the download area for the respective article under "Manufacturer declaration". For all articles with EFUP-E, no China RoHS declaration table issued and required.

EU REACH SVHC

REACH candidate substance (CAS No.)	Lead(CAS: 7439-92-1)
-------------------------------------	----------------------

Phoenix Contact 2026 © - all rights reserved
<https://www.phoenixcontact.com>

Phoenix Contact USA
586 Fulling Mill Road
Middletown, PA 17057, United States
(+717) 944-1300
info@phoenixcon.com