

IB ST ZF 24 BDO32/2 - I/O module



2750691

<https://www.phoenixcontact.com/us/products/2750691>

Please be informed that the data shown in this PDF document is generated from our online catalog. Please find the complete data in the user documentation. Our general terms of use for downloads are valid.



INTERBUS-ST digital output module, 32 outputs, 24 V DC, 500 mA, 2-conductor connection technology, IP20 degree of protection, consisting of: terminal part with spring-cage connection and module electronics

The figure shows version IB ST 24 BDO 32/2

Product description

INTERBUS ST standard digital output modules

The digital INTERBUS output modules are designed for the connection of digital actuators, such as electromechanical valves, contactors or lamps. In addition to the standard IB ST 24 BDO modules, the range is rounded off by modules with extended functionality.

The scope of functions provided by the standard models covers the majority of applications. On top of this, several modules provide additional electronic functions, such as:

- Output channels in up to four electrically isolated groups
- Separate electronic short-circuit protection for each output channel
- Higher output current, which are needed in individual applications.

All the typical advantages of INTERBUS-ST handling, such as multi-wire connection methods and plug-in electronics are provided by both product lines.

Your advantages

- Diagnostic and status indicators
- Electrical isolation
- Connection of actuators in 2-conductor technology
- 32 digital outputs
- Nominal current per output: 500 mA

Commercial data

Item number	2750691
Packing unit	1 pc
Note	Made to order (non-returnable)
Sales key	DR03
Product key	DRI332
GTIN	4017918140106
Weight per piece (including packing)	704 g
Weight per piece (excluding packing)	691.3 g
Customs tariff number	85389091
Country of origin	DE

IB ST ZF 24 BDO32/2 - I/O module

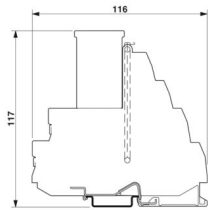


2750691

<https://www.phoenixcontact.com/us/products/2750691>

Technical data

Dimensions

Dimensional drawing	
Width	118 mm
Height	117 mm
Depth	116 mm

Interfaces

ST local bus

Connection method	ST local bus connector
Transmission speed	500 kbps

Output data

Digital:

Output name	Digital outputs
Connection method	Spring-cage connection
Connection technology	2-conductor
Number of outputs	32
Protective circuit	Short-circuit protection; electronic Current limit for 8 channels; Fuse in header
Maximum output current per group	16 A
Maximum output current per channel	500 mA
Maximum output current per module / terminal block	16 A
Nominal load, inductive	12 VA
Nominal load, lamp	4 W
Nominal load, ohmic	12 W
Maximum operating frequency with ohmic nominal load	max. 100 Hz

Product properties

Product type	I/O component
Product family	Smart Terminal ST
Type	modular INTERBUS Smart Terminal
Mounting position	Horizontal DIN rail
No. of channels	32

IB ST ZF 24 BDO32/2 - I/O module



2750691

<https://www.phoenixcontact.com/us/products/2750691>

Electrical properties

Maximum power dissipation for nominal condition	2.4 W
---	-------

Supply: Module electronics

Supply voltage	24 V DC
Supply voltage range	20 V DC ... 30 V DC (including ripple)
Current consumption	100 mA
Ripple	3.6 V _{pp} within the allowable voltage range

Electrical isolation/isolation of the voltage ranges

Test voltage: Supply voltage logic / I/O	500 V AC, 50 Hz, 1 min
--	------------------------

Connection data

Connection method	Spring-cage connection
Conductor cross-section, rigid	0.2 mm ² ... 1.5 mm ²
Conductor cross-section, flexible	0.2 mm ² ... 1.5 mm ²
Conductor cross-section AWG	24 ... 16
Stripping length	8 mm

Environmental and real-life conditions

Ambient conditions

Ambient temperature (operation)	0 °C ... 55 °C
Degree of protection	IP20
Air pressure (operation)	86 kPa ... 108 kPa (1500 m above sea level)
Air pressure (storage/transport)	86 kPa ... 108 kPa (1500 m above sea level)
Ambient temperature (storage/transport)	-25 °C ... 70 °C
Permissible humidity (operation)	75 % (non-condensing)
Permissible humidity (storage/transport)	95 % (non-condensing)

Standards and regulations

Protection class	III (IEC 61140, EN 61140, VDE 0140-1)
------------------	---------------------------------------

Mounting

Mounting type	DIN rail mounting
Mounting position	Horizontal DIN rail

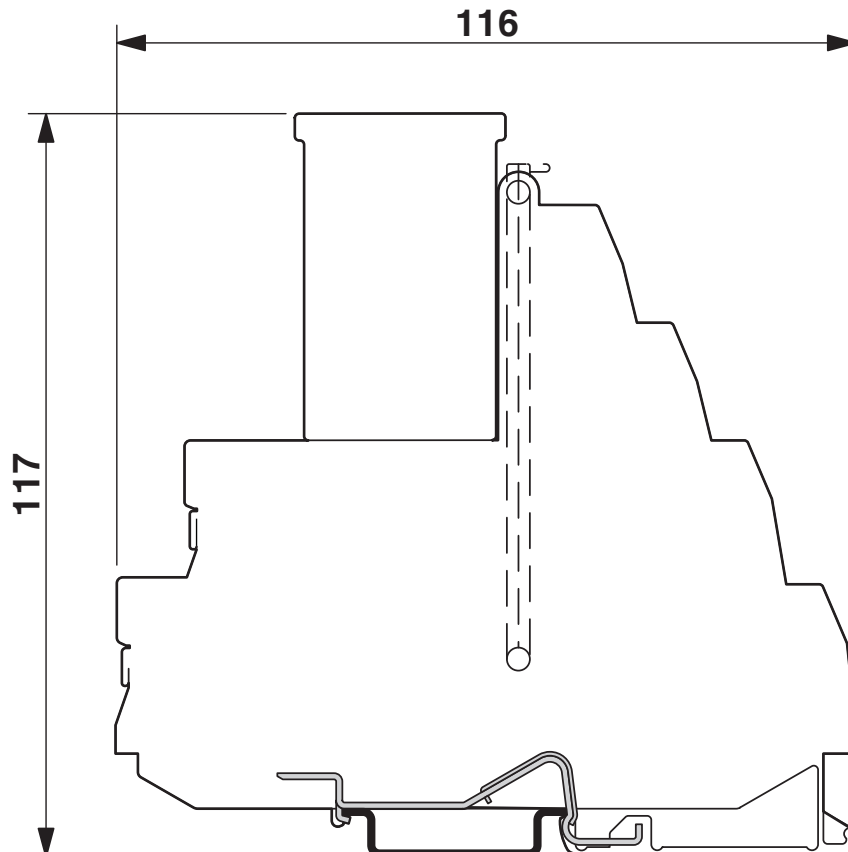
IB ST ZF 24 BDO32/2 - I/O module

2750691

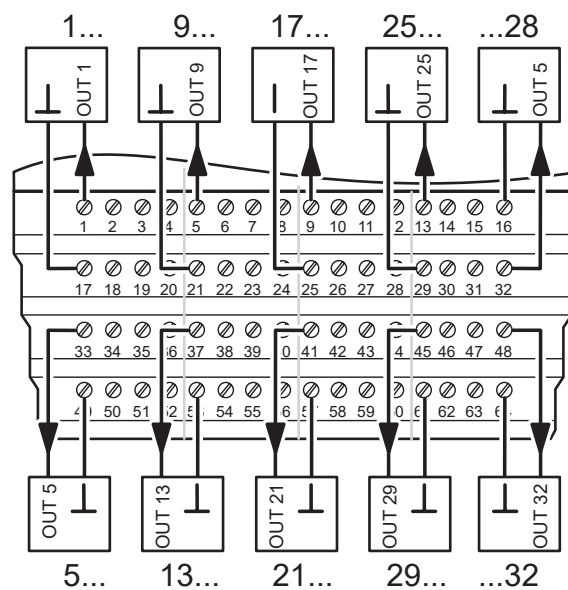
<https://www.phoenixcontact.com/us/products/2750691>

Drawings

Dimensional drawing



Connection diagram

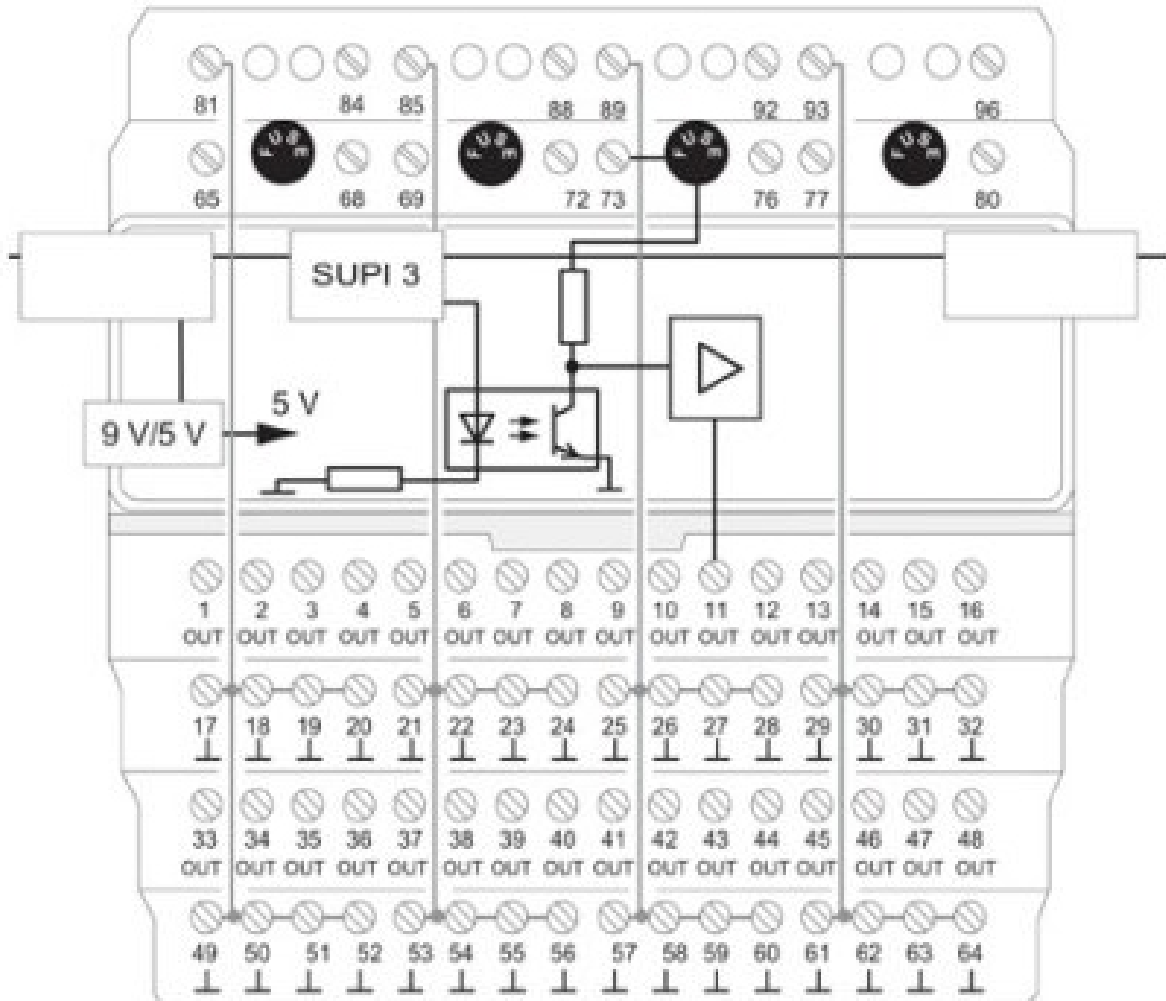


IB ST ZF 24 BDO32/2 - I/O module

2750691

<https://www.phoenixcontact.com/us/products/2750691>

Block diagram



IB ST ZF 24 BDO32/2 - I/O module

2750691

<https://www.phoenixcontact.com/us/products/2750691>



Classifications

UNSPSC

UNSPSC 21.0	32151602
-------------	----------

IB ST ZF 24 BDO32/2 - I/O module



2750691

<https://www.phoenixcontact.com/us/products/2750691>

Environmental product compliance

China RoHS

Environment friendly use period (EFUP)	EFUP-E
	No hazardous substances above the limits

EU REACH SVHC

REACH candidate substance (CAS No.)	No substance above 0.1 wt%
-------------------------------------	----------------------------

Phoenix Contact 2026 © - all rights reserved
<https://www.phoenixcontact.com>

Phoenix Contact USA
586 Fulling Mill Road
Middletown, PA 17057, United States
(+717) 944-1300
info@phoenixcon.com