

IB ST ZF 24 DI32/2 - I/O module

2750675

<https://www.phoenixcontact.com/us/products/2750675>



Please be informed that the data shown in this PDF document is generated from our online catalog. Please find the complete data in the user documentation. Our general terms of use for downloads are valid.



The figure shows version IB ST
24 BDI 32/2

INTERBUS-ST digital input module, 32 inputs, 24 V DC, 2-conductor connection technology, IP20 degree of protection, consisting of: terminal part with spring-cage connection and module electronics

Product description

INTERBUS ST digital input modules

The digital INTERBUS input modules are designed for the connection of digital control signals, such as those generated by switches, limit switches, electronic proximity switches, and photoelectric switches.

The scope of functions provided by the standard models covers the majority of applications.

All the typical advantages of INTERBUS ST handling, such as multi-wire connection method and plug-in electronics are available.

Your advantages

- 32 digital inputs
- Connection of sensors in 2-conductor technology
- Diagnostic and status indicators

Commercial data

Item number	2750675
Packing unit	1 pc
Sales key	DR03
Product key	DRI331
GTIN	4017918126902
Weight per piece (including packing)	670 g
Weight per piece (excluding packing)	620 g
Customs tariff number	85389091
Country of origin	DE

IB ST ZF 24 DI32/2 - I/O module

2750675

<https://www.phoenixcontact.com/us/products/2750675>



Technical data

Dimensions

Dimensional drawing	
Width	118 mm
Height	117 mm
Depth	116 mm

Interfaces

ST local bus

Connection method	ST local bus connector
Transmission speed	500 kbps

Input data

Digital:

Input name	Digital inputs
Number of inputs	32
Connection method	Spring-cage connection
Connection technology	2-conductor
Input voltage	24 V DC
Input voltage range "0" signal	-30 V DC ... 6 V DC
Input voltage range "1" signal	13 V DC ... 30 V DC
Nominal input current at U_{IN}	typ. 5 mA (per channel)
Typical response time	3 ms (typical)

Product properties

Product type	I/O component
Product family	Smart Terminal ST
Type	modular INTERBUS Smart Terminal
Mounting position	Horizontal DIN rail
No. of channels	32

Electrical properties

Maximum power dissipation for nominal condition	4.8 W
---	-------

Supply: Module electronics

IB ST ZF 24 DI32/2 - I/O module



2750675

<https://www.phoenixcontact.com/us/products/2750675>

Supply voltage	24 V DC
Supply voltage range	20 V DC ... 30 V DC (including ripple)
Current consumption	typ. 200 mA
Ripple	3.6 V _{pp} within the allowable voltage range

Electrical isolation/isolation of the voltage ranges

Test voltage: Bus logic / I/O	500 V AC, 50 Hz, 1 min
Test voltage: Ground conductor / I/O	500 V AC, 50 Hz, 1 min
Test voltage: Supply voltage logic / I/O	500 V AC, 50 Hz, 1 min

Connection data

Connection method	Spring-cage connection
Conductor cross-section, rigid	0.2 mm ² ... 1.5 mm ²
Conductor cross-section, flexible	0.2 mm ² ... 1.5 mm ²
Conductor cross-section AWG	24 ... 16
Stripping length	8 mm

Environmental and real-life conditions

Ambient conditions

Ambient temperature (operation)	0 °C ... 55 °C
Degree of protection	IP20
Air pressure (operation)	80 kPa ... 108 kPa (up to 2000 m above sea level)
Air pressure (storage/transport)	80 kPa ... 108 kPa (up to 2000 m above sea level)
Ambient temperature (storage/transport)	-20 °C ... 70 °C
Permissible humidity (operation)	75 % (on average, 85% infrequently, non-condensing)
Permissible humidity (storage/transport)	75 % (on average, 85% infrequently, non-condensing)

Standards and regulations

Protection class	III (IEC 61140, EN 61140, VDE 0140-1)
------------------	---------------------------------------

Mounting

Mounting type	DIN rail mounting
Mounting position	Horizontal DIN rail

IB ST ZF 24 DI32/2 - I/O module

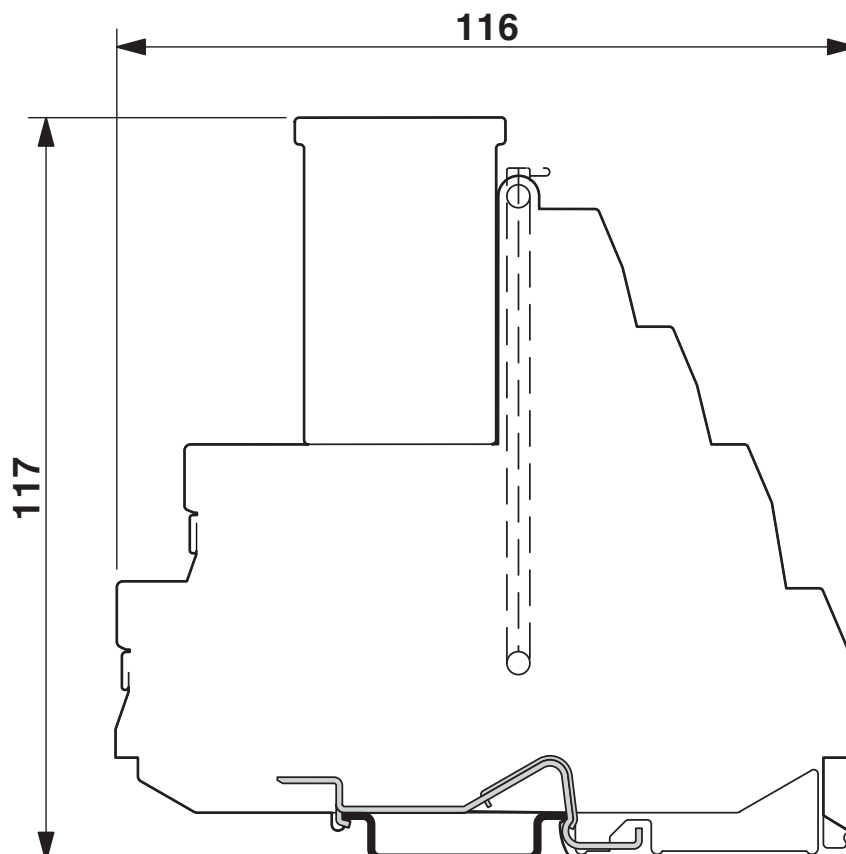
2750675

<https://www.phoenixcontact.com/us/products/2750675>

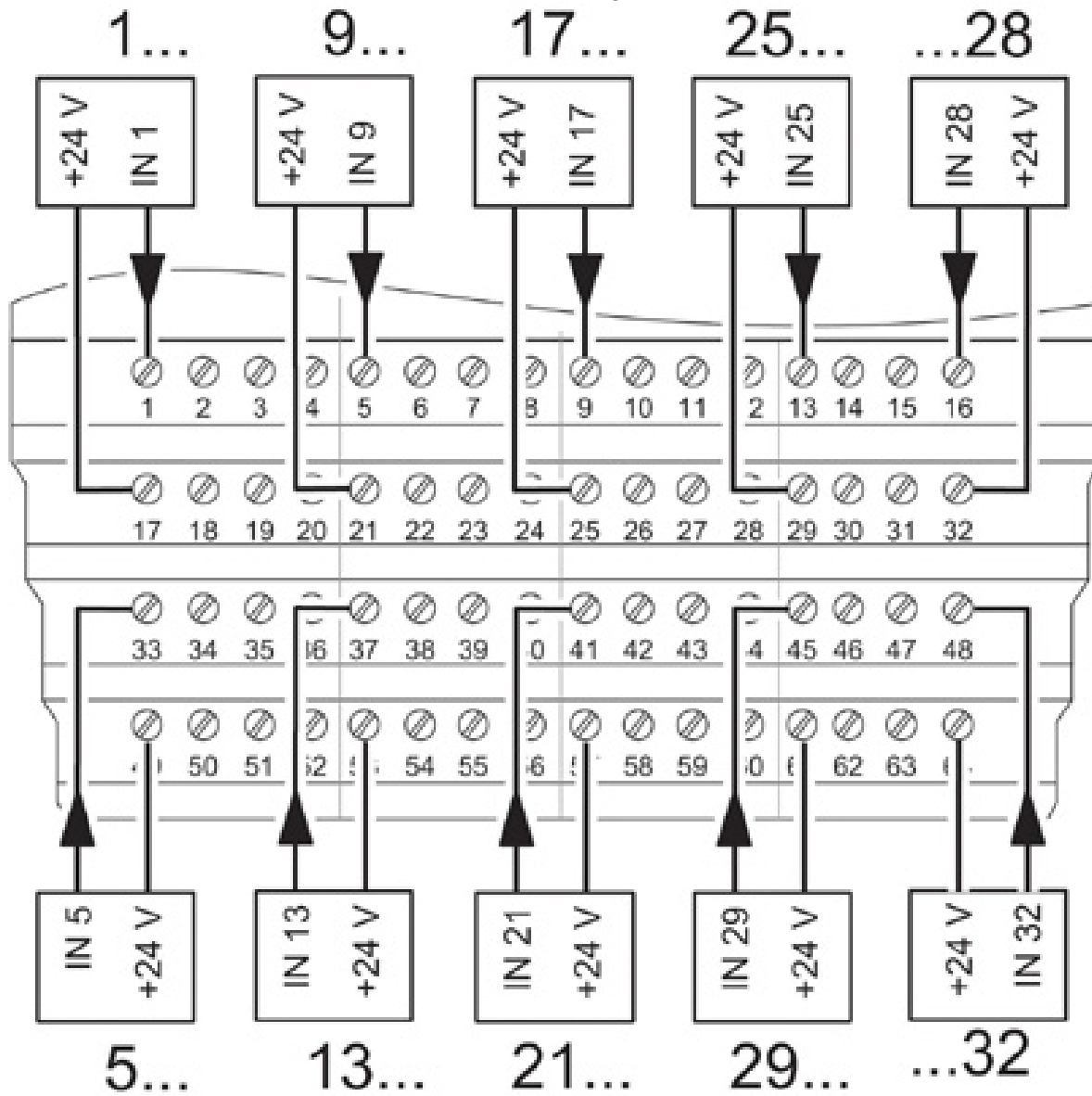


Drawings

Dimensional drawing



Connection diagram

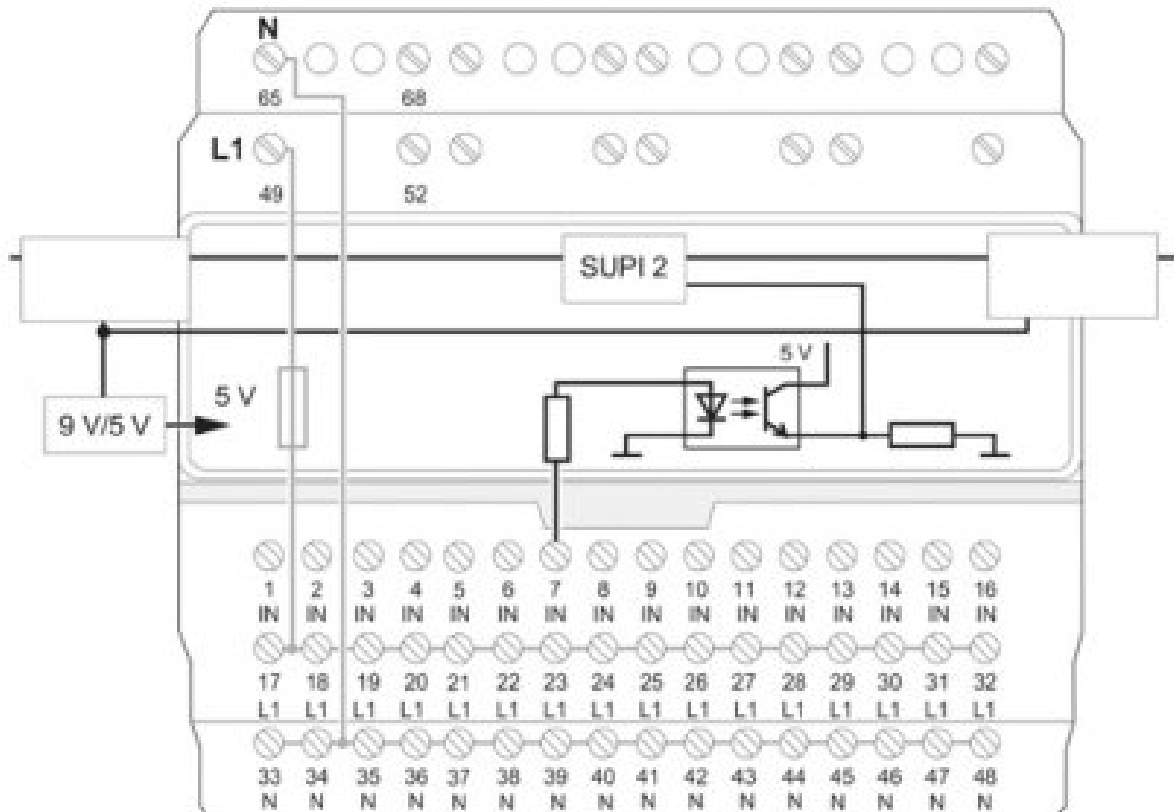


IB ST ZF 24 DI32/2 - I/O module

2750675

<https://www.phoenixcontact.com/us/products/2750675>

Block diagram



IB ST ZF 24 DI32/2 - I/O module



2750675

<https://www.phoenixcontact.com/us/products/2750675>

Classifications

ECLASS

ECLASS-13.0	27242604
ECLASS-15.0	27242604

UNSPSC

UNSPSC 21.0	32151600
-------------	----------

IB ST ZF 24 DI32/2 - I/O module



2750675

<https://www.phoenixcontact.com/us/products/2750675>

Environmental product compliance

EU RoHS

Fulfills EU RoHS substance requirements	Yes
Exemption	6(a), 6(a)-I, 6(c), 7(a), 7(c)-I

China RoHS

Environment friendly use period (EFUP)	EFUP-E
	No hazardous substances above the limits

EU REACH SVHC

REACH candidate substance (CAS No.)	Lead(CAS: 7439-92-1)
-------------------------------------	----------------------

Phoenix Contact 2026 © - all rights reserved

<https://www.phoenixcontact.com>

Phoenix Contact USA
586 Fulling Mill Road
Middletown, PA 17057, United States
(+717) 944-1300
info@phoenixcon.com