

IB ST ZF 24 DO 8/3-2A - I/O module

2750659

<https://www.phoenixcontact.com/us/products/2750659>

Please be informed that the data shown in this PDF document is generated from our online catalog. Please find the complete data in the user documentation. Our general terms of use for downloads are valid.



INTERBUS-ST digital output module, 8 outputs, 24 V DC, 250 mA, 3-conductor connection technology, IP20 degree of protection, consisting of: terminal part with spring-cage connection and module electronics

The figure shows version IB ST
24 BDO 8/3

Product description

INTERBUS ST digital output modules

The digital INTERBUS output modules are designed for the connection of digital actuators, such as electromechanical valves, contactors or lamps. In addition to the standard IB ST 24 BDO modules, the range is rounded off by modules with extended functionality.

The scope of functions provided by the standard models covers the majority of applications. On top of this, several modules provide additional electronic functions, such as:

- Output channels in up to four electrically isolated groups
- Separate electronic short-circuit protection for each output channel
- Higher output current, which are needed in individual applications.

All the typical advantages of INTERBUS-ST handling, such as multi-wire connection methods and plug-in electronics are provided by both product lines.

Commercial data

Item number	2750659
Packing unit	1 pc
Note	Made to order (non-returnable)
Sales key	NULL
Product key	DRI332
GTIN	4017918132217
Weight per piece (including packing)	435.12 g
Weight per piece (excluding packing)	4.6 g
Customs tariff number	85389091
Country of origin	DE

IB ST ZF 24 DO 8/3-2A - I/O module



2750659

<https://www.phoenixcontact.com/us/products/2750659>

Technical data

Product properties

Type	modular
Mounting position	Horizontal DIN rail
No. of channels	8

Electrical properties

Supply: Module electronics

Supply voltage	24 V DC
Supply voltage range	20 V DC ... 30 V DC (including ripple)
Current consumption	100 mA
Ripple	3.6 V _{pp} within the allowable voltage range

Output data

Digital:

Output name	Digital outputs
Connection method	Spring-cage connection
Connection technology	3-conductor
Number of outputs	8
Protective circuit	Short-circuit protection; electronic
Maximum output current per group	5 A
Maximum output current per channel	2 A
Maximum output current per module / terminal block	10 A
Maximum operating frequency with ohmic nominal load	max. 150 Hz (12 Ω)

Connection data

Connection method	Spring-cage connection
Conductor cross-section, rigid	0.2 mm ² ... 1.5 mm ²
Conductor cross-section, flexible	0.2 mm ² ... 1.5 mm ²
Conductor cross-section AWG	24 ... 16

Interfaces

ST local bus

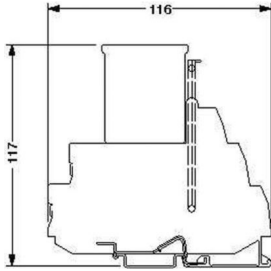
Connection method	ST local bus connector
-------------------	------------------------

Dimensions

IB ST ZF 24 DO 8/3-2A - I/O module

2750659

<https://www.phoenixcontact.com/us/products/2750659>

Dimensional drawing	
Width	81 mm
Height	117 mm
Depth	116 mm

Environmental and real-life conditions

Ambient conditions

Ambient temperature (operation)	0 °C ... 55 °C
Degree of protection	IP20
Air pressure (operation)	86 kPa ... 108 kPa (1500 m above sea level)
Air pressure (storage/transport)	66 kPa ... 108 kPa (3500 m above sea level)
Ambient temperature (storage/transport)	-20 °C ... 70 °C
Permissible humidity (operation)	75 % (non-condensing)
Permissible humidity (storage/transport)	95 % (non-condensing)

Standards and regulations

Protection class	III (IEC 61140, EN 61140, VDE 0140-1)
------------------	---------------------------------------

Mounting

Mounting type	DIN rail mounting
Mounting position	Horizontal DIN rail

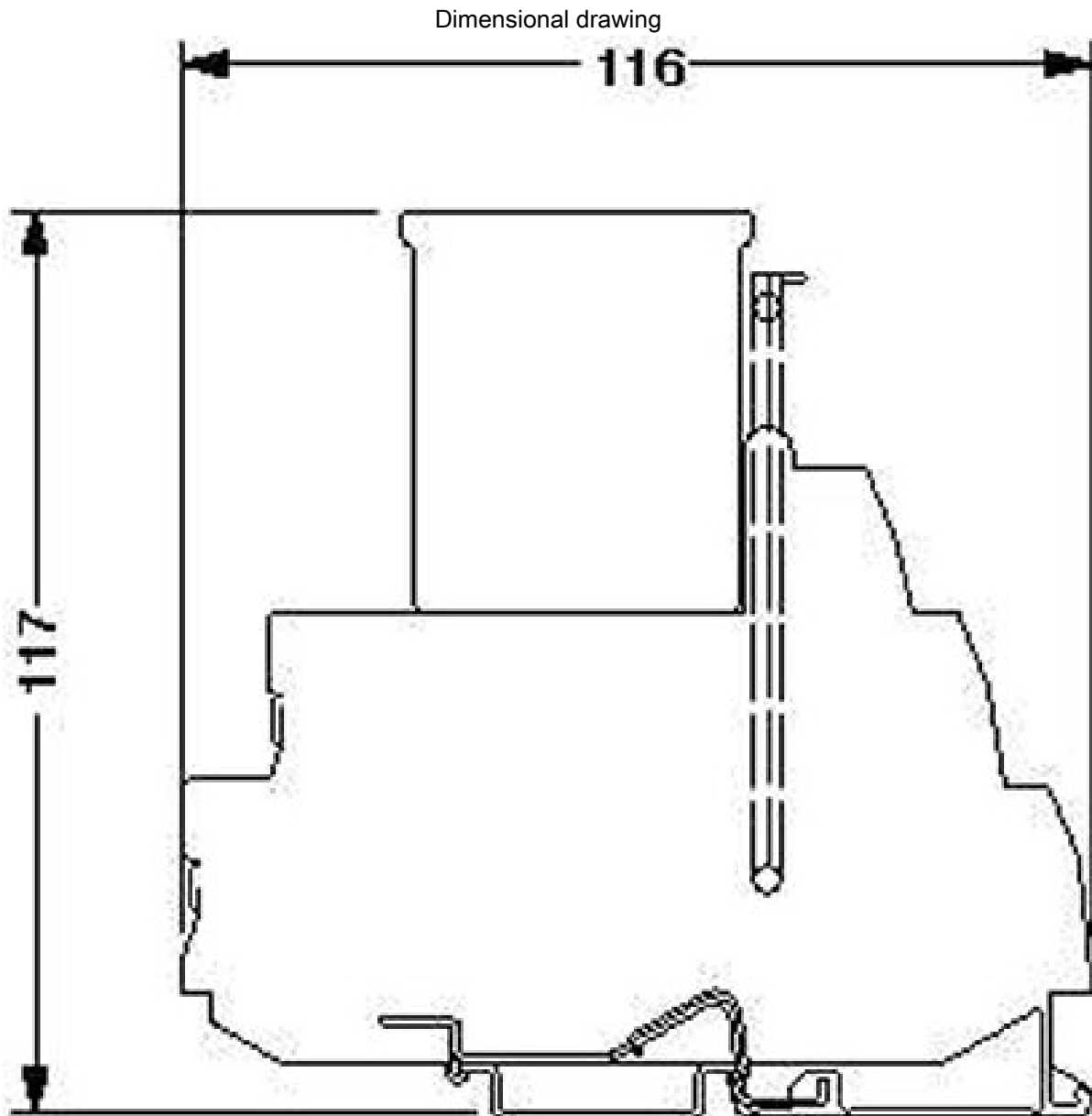
IB ST ZF 24 DO 8/3-2A - I/O module

2750659

<https://www.phoenixcontact.com/us/products/2750659>



Drawings

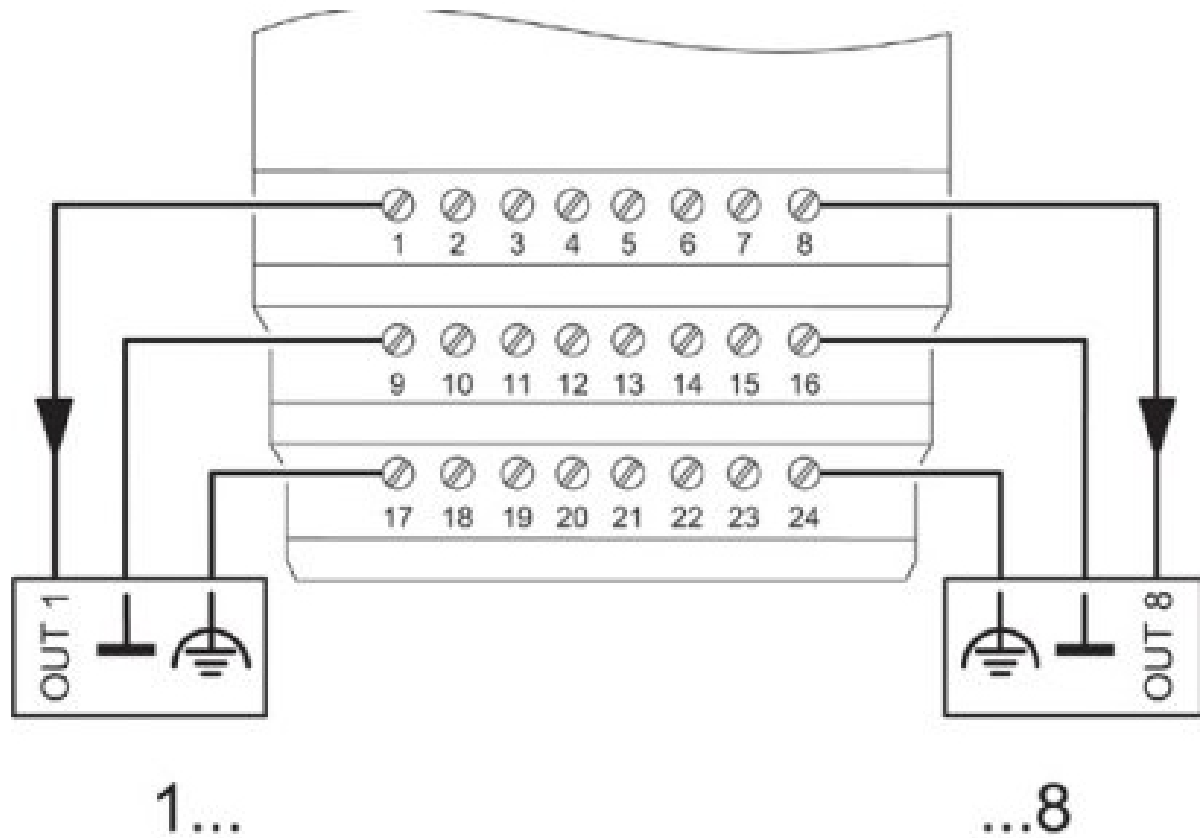


IB ST ZF 24 DO 8/3-2A - I/O module

2750659

<https://www.phoenixcontact.com/us/products/2750659>

Connection diagram

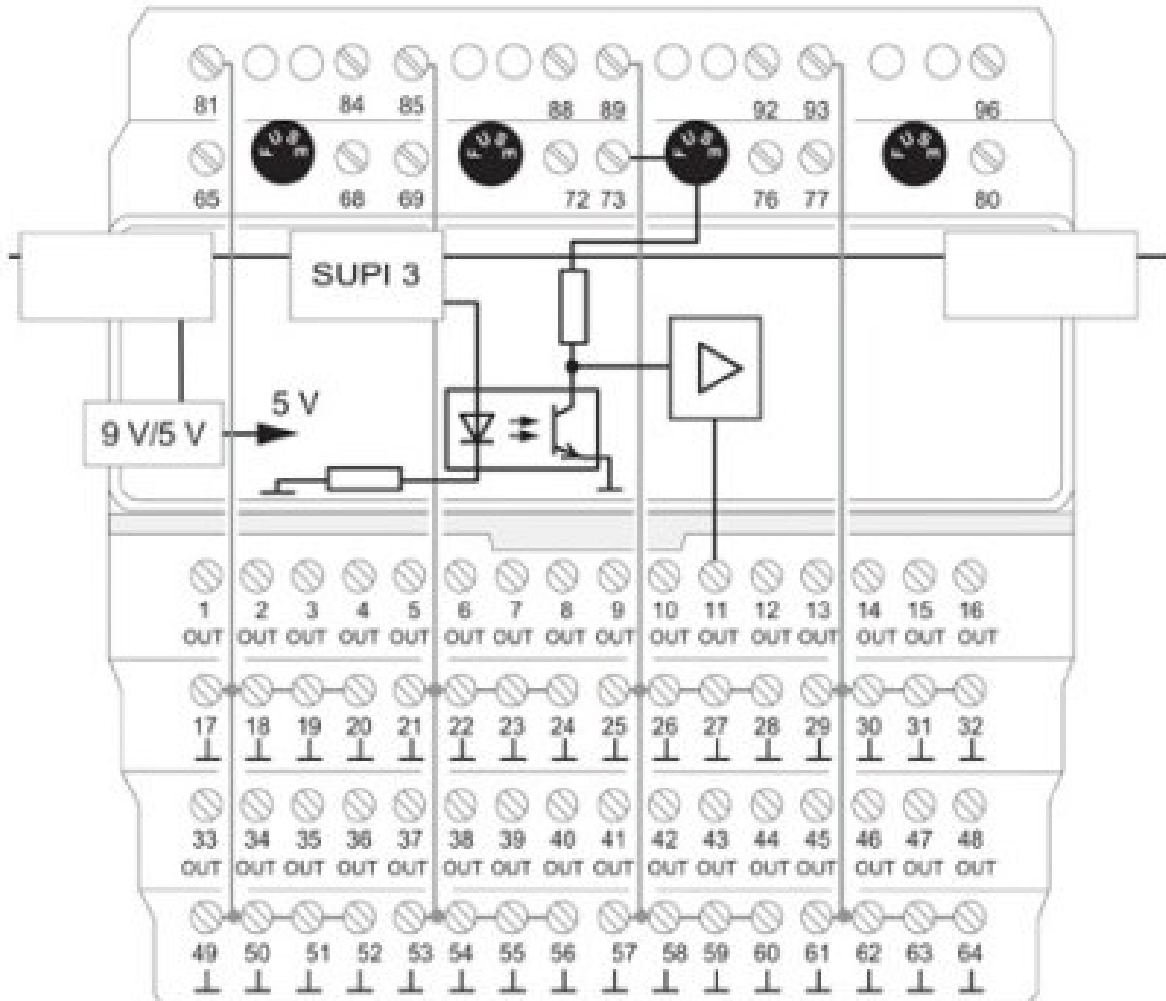


IB ST ZF 24 DO 8/3-2A - I/O module

2750659

<https://www.phoenixcontact.com/us/products/2750659>

Block diagram



IB ST ZF 24 DO 8/3-2A - I/O module



2750659

<https://www.phoenixcontact.com/us/products/2750659>

Environmental product compliance

EU REACH SVHC

REACH candidate substance (CAS No.)	No substance above 0.1 wt%
-------------------------------------	----------------------------

Phoenix Contact 2026 © - all rights reserved

<https://www.phoenixcontact.com>

Phoenix Contact USA
586 Fulling Mill Road
Middletown, PA 17057, United States
(+717) 944-1300
info@phoenixcon.com