

IB ST ZF 24 AI 4/SF4 - I/O module

2750594

<https://www.phoenixcontact.com/us/products/2750594>

Please be informed that the data shown in this PDF document is generated from our online catalog. Please find the complete data in the user documentation. Our general terms of use for downloads are valid.



INTERBUS-ST analog input module, 4 inputs, 4 - 20 mA, 0 - 10 V, IP20 protection, consisting of: Terminal part with spring-cage connection and module electronics

The figure shows version IB ST 24
AI 4/SF

Product description

INTERBUS ST analog input modules

The wide range of INTERBUS analog input modules makes it possible to choose the ideal product for a variety of applications. All commercially available analog standard sensors with voltage or current signals can be detected. Particular features of the INTERBUS analog input modules are:

- High accuracy of measurement
- Extremely rapid acquisition of measurement values
- Very good interference and common mode suppression
- A constant voltage source for the connection of passive sensors

Moreover, a host of measures guarantee a high standard of operational reliability, even under extreme industrial environmental conditions. In addition to integrated safety systems, such as:

- Watchdog monitoring of the processor, or
- Monitoring the supply voltage, in particular, comprehensive EMC measures, for example, a new shielding concept.

There is a separate shield connection option for each input, without extra external wiring necessary. The connection to protective earth ground is created automatically when the module is snapped onto the DIN rail.

Your advantages

- Temperature measurement modules
- Standard signal types (voltage and current)
- Connection of sensors in 2-, 3-, and 4-conductor technology
- Spring-cage connection with direct plug-in technology with a release mechanism

Commercial data

Item number	2750594
Packing unit	1 pc
Note	Made to order (non-returnable)
Sales key	DR03
Product key	DRI341
GTIN	4017918140014
Weight per piece (including packing)	650.1 g
Weight per piece (excluding packing)	600 g
Customs tariff number	85389091
Country of origin	DE

IB ST ZF 24 AI 4/SF4 - I/O module



2750594

<https://www.phoenixcontact.com/us/products/2750594>

Technical data

Dimensions

Dimensional drawing	
Width	118 mm
Height	117 mm
Length	116 mm

Notes

Utilization restriction

EMC note	EMC: class A product, see manufacturer's declaration in the download area
----------	---------------------------------------------------------------------------

Material specifications

Color	green
-------	-------

Interfaces

ST local bus

Connection method	ST local bus connector
Transmission speed	500 kbps
Transmission physics	Copper

Product properties

Product type	I/O component
Product family	Smart Terminal ST
Type	modular INTERBUS Smart Terminal
No. of channels	4

Electrical properties

Maximum power dissipation for nominal condition	1.56 W
Test section	Bus/Inputs 500 V AC 50 Hz 1 min Supply voltage/inputs 500 V AC 50 Hz 1 min Supply voltage/Ground conductor 500 V AC 50 Hz 1 min I/O voltage/Ground conductor 500 V AC 50 Hz 1 min

Supply

Communications power U_L	9 V DC (from the ST local bus)
----------------------------	--------------------------------

IB ST ZF 24 AI 4/SF4 - I/O module



2750594

<https://www.phoenixcontact.com/us/products/2750594>

I/O voltage	± 24 V DC 5 % (ripple)
I/O voltage range	20 V DC ... 30 V DC
Max. current consumption	125 mA (without passive sensors)
Typical current consumption	65 mA (without passive sensors)

Connection data

Connection method	Spring-cage connection
Conductor cross-section, rigid	0.2 mm ² ... 1.5 mm ²
Conductor cross-section, flexible	0.2 mm ² ... 1.5 mm ²
Conductor cross-section AWG	24 ... 16
Stripping length	8 mm

Environmental and real-life conditions

Ambient conditions

Degree of protection	IP20
----------------------	------

Mounting

Mounting type	DIN rail mounting
---------------	-------------------

IB ST ZF 24 AI 4/SF4 - I/O module

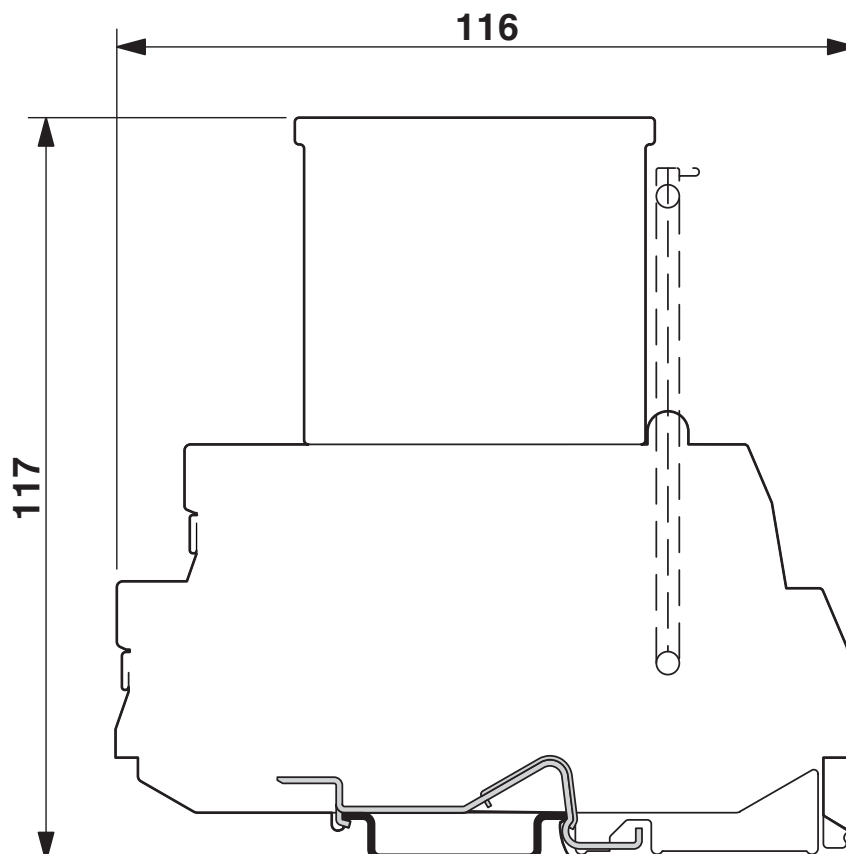
2750594

<https://www.phoenixcontact.com/us/products/2750594>



Drawings

Dimensional drawing

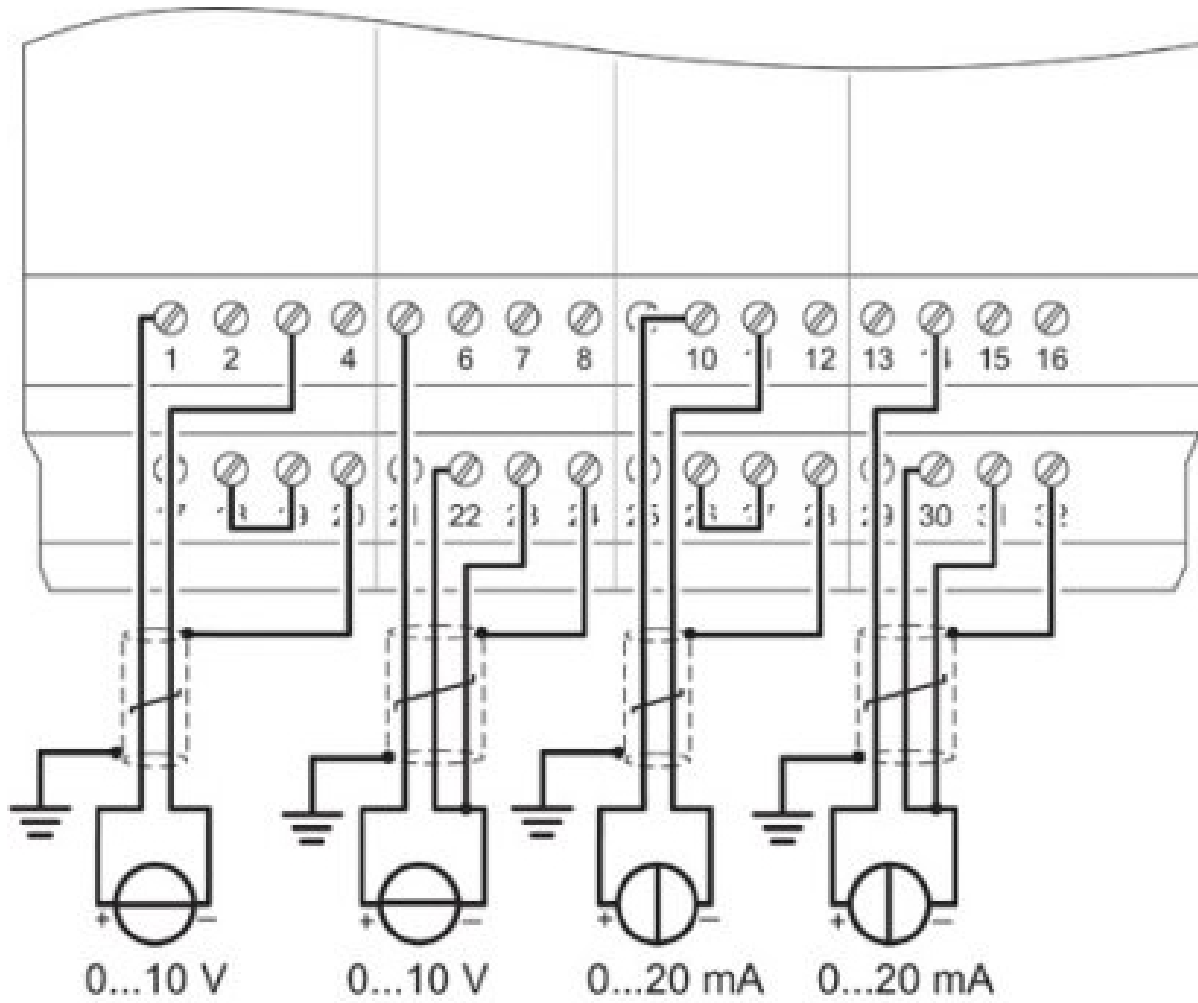


IB ST ZF 24 AI 4/SF4 - I/O module

2750594

<https://www.phoenixcontact.com/us/products/2750594>

Connection diagram



IB ST ZF 24 AI 4/SF4 - I/O module



2750594

<https://www.phoenixcontact.com/us/products/2750594>

Environmental product compliance

China RoHS

Environment friendly use period (EFUP)	EFUP-E
	No hazardous substances above the limits

EU REACH SVHC

REACH candidate substance (CAS No.)	No substance above 0.1 wt%
-------------------------------------	----------------------------

Phoenix Contact 2026 © - all rights reserved
<https://www.phoenixcontact.com>

Phoenix Contact USA
586 Fulling Mill Road
Middletown, PA 17057, United States
(+717) 944-1300
info@phoenixcon.com