

IBS OPTOSUB F/R-LK - Fiber optic adapter



2750073

<https://www.phoenixcontact.com/us/products/2750073>

Please be informed that the data shown in this PDF document is generated from our online catalog. Please find the complete data in the user documentation. Our general terms of use for downloads are valid.



INTERBUS fiber optic adapter, for converting the remote IN interface to fiber optic, FO output right

Product description

Using the fiber optic (FO) converter you can equip INTERBUS controller boards or suitable INTERBUS devices with a fiber optic interface. In order to support the different orientation of the 9-pos. D-SUB connector, the fiber optic converter is available in 2 versions.

Commercial data

Item number	2750073
Packing unit	1 pc
Note	Made to order (non-returnable)
Sales key	DR14
Product key	DREDDA
GTIN	4017918120108
Weight per piece (including packing)	42.3 g
Weight per piece (excluding packing)	33.24 g
Customs tariff number	85369010
Country of origin	DE

2750073

<https://www.phoenixcontact.com/us/products/2750073>

Technical data

Notes

Utilization restriction

EMC note	EMC: class A product, see manufacturer's declaration in the download area
----------	---

Product properties

Product type	Media converter
--------------	-----------------

Interfaces

Signal	INTERBUS
--------	----------

Data: optical FO

Connection method	F-SMA
Wavelength	660 nm
Transmission medium	FO

Data: Incoming remote bus

Bus system	INTERBUS
Transmission speed	500 kbps
Connection method	D-SUB 9 plug
Transmission length	35 m (50 m system without optical path diagnostics) 50 m (70 m system with optical path diagnostics)

Dimensions

Width	49.7 mm
Height	49.7 mm
Depth	15.6 mm

Material specifications

Color	green
-------	-------

Environmental and real-life conditions

Ambient conditions

Degree of protection	IP20
----------------------	------

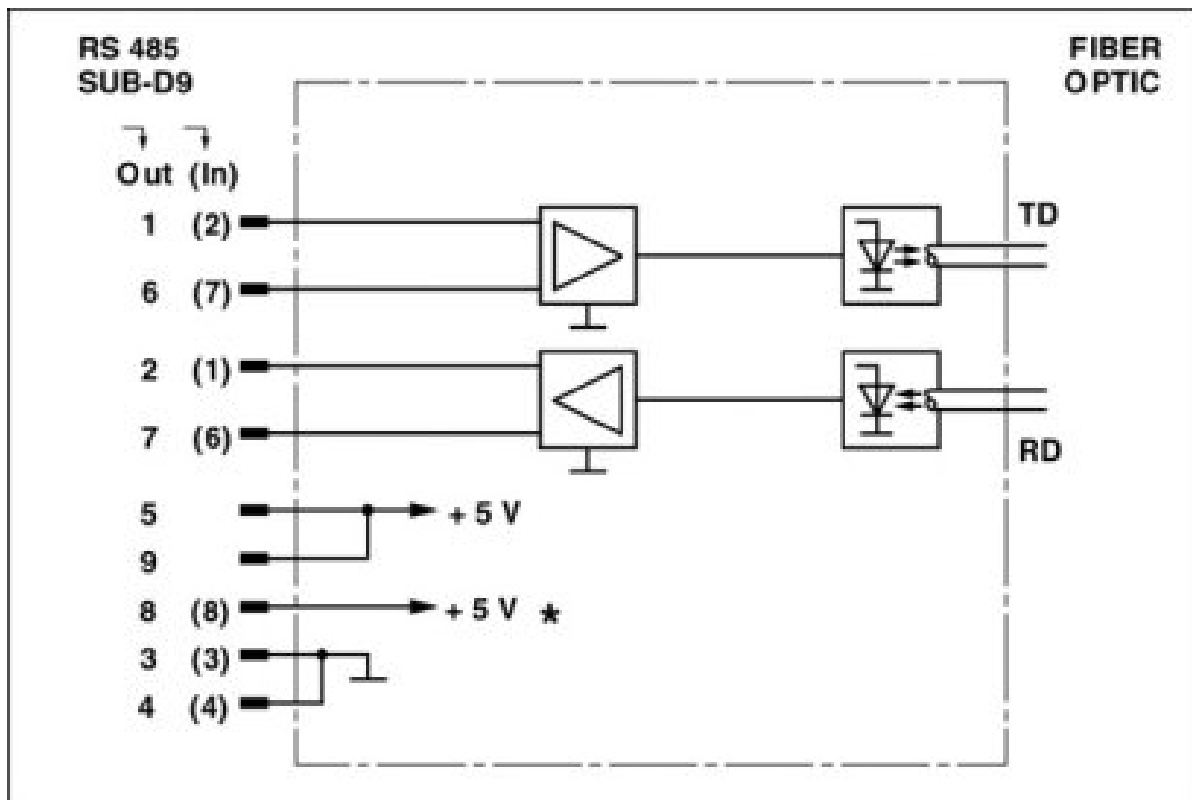
IBS OPTOSUB F/R-LK - Fiber optic adapter

2750073

<https://www.phoenixcontact.com/us/products/2750073>

Drawings

Connection diagram



IBS OPTOSUB F/R-LK - Fiber optic adapter



2750073

<https://www.phoenixcontact.com/us/products/2750073>

Environmental product compliance

EU REACH SVHC

REACH candidate substance (CAS No.)	No substance above 0.1 wt%
-------------------------------------	----------------------------

Phoenix Contact 2026 © - all rights reserved

<https://www.phoenixcontact.com>

Phoenix Contact USA
586 Fulling Mill Road
Middletown, PA 17057, United States
(+717) 944-1300
info@phoenixcon.com