

# SCT-D-SUB 15-KG - Housing

2749563

<https://www.phoenixcontact.com/us/products/2749563>



Please be informed that the data shown in this PDF document is generated from our online catalog. Please find the complete data in the user documentation. Our general terms of use for downloads are valid.

Cable housing for D-SUB-15



## Commercial data

Item number	2749563
Packing unit	1 pc
Minimum order quantity	1 pc
Sales key	CL03
Product key	CL311Z
GTIN	4017918104986
Weight per piece (including packing)	49 g
Weight per piece (excluding packing)	48.1 g
Customs tariff number	85389099
Country of origin	DK

# SCT-D-SUB 15-KG - Housing

2749563

<https://www.phoenixcontact.com/us/products/2749563>



## Technical data

### Product properties

Product type	Cable housing
Product family	DATATRAB

### Material specifications

Color	silver-colored
Housing material	Die-cast zinc
Housing surface material	nickel-plated

# SCT-D-SUB 15-KG - Housing

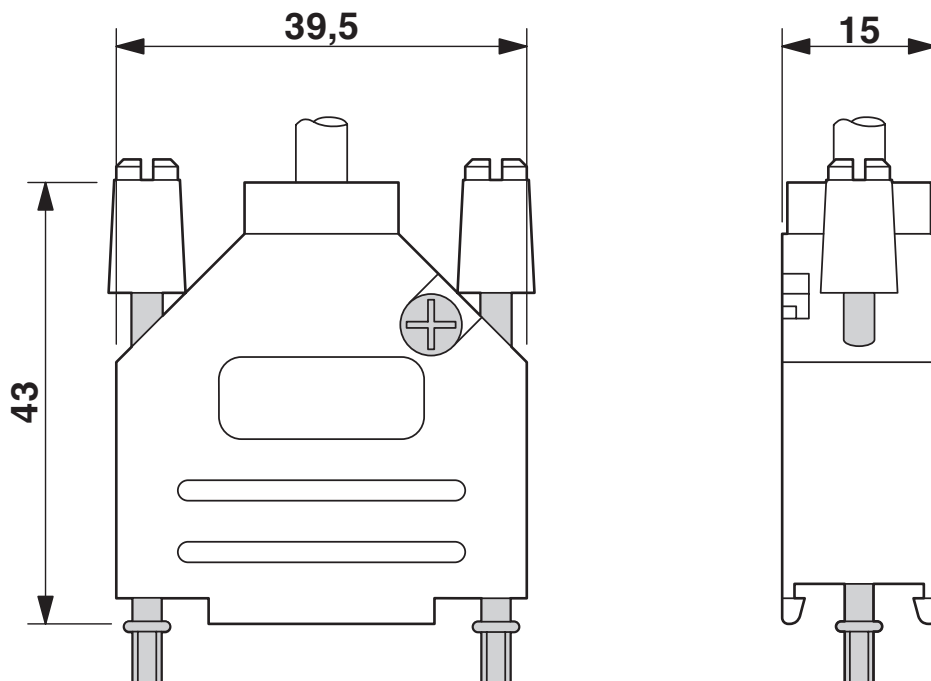
2749563

<https://www.phoenixcontact.com/us/products/2749563>



## Drawings

Dimensional drawing



# SCT-D-SUB 15-KG - Housing



2749563

<https://www.phoenixcontact.com/us/products/2749563>

## Classifications

### ECLASS

ECLASS-13.0	27171503
ECLASS-15.0	27171503

### ETIM

ETIM 10.0	EC001466
-----------	----------

### UNSPSC

UNSPSC 21.0	39121600
-------------	----------

# SCT-D-SUB 15-KG - Housing



2749563

<https://www.phoenixcontact.com/us/products/2749563>

## Environmental product compliance

### EU RoHS

Fulfills EU RoHS substance requirements	Yes, No exemptions
---	--------------------

### China RoHS

Environment friendly use period (EFUP)	EFUP-E
	No hazardous substances above the limits

### EU REACH SVHC

REACH candidate substance (CAS No.)	No substance above 0.1 wt%
-------------------------------------	----------------------------

Phoenix Contact 2026 © - all rights reserved  
<https://www.phoenixcontact.com>

Phoenix Contact USA  
586 Fulling Mill Road  
Middletown, PA 17057, United States  
(+717) 944-1300  
[info@phoenixcon.com](mailto:info@phoenixcon.com)