

SCT-D-SUB 9-KG - Housing

2749550

<https://www.phoenixcontact.com/us/products/2749550>



Please be informed that the data shown in this PDF document is generated from our online catalog. Please find the complete data in the user documentation. Our general terms of use for downloads are valid.

Cable housing for D-SUB-9



Commercial data

Item number	2749550
Packing unit	1 pc
Minimum order quantity	1 pc
Sales key	CL03
Product key	CL311Z
GTIN	4017918104979
Weight per piece (including packing)	47.34 g
Weight per piece (excluding packing)	45.7 g
Customs tariff number	85389099
Country of origin	DK

SCT-D-SUB 9-KG - Housing

2749550

<https://www.phoenixcontact.com/us/products/2749550>



Technical data

Product properties

Product type	Cable housing
Product family	DATATRAB

Material specifications

Color	silver-colored
Housing material	Die-cast zinc
Housing surface material	nickel-plated

SCT-D-SUB 9-KG - Housing

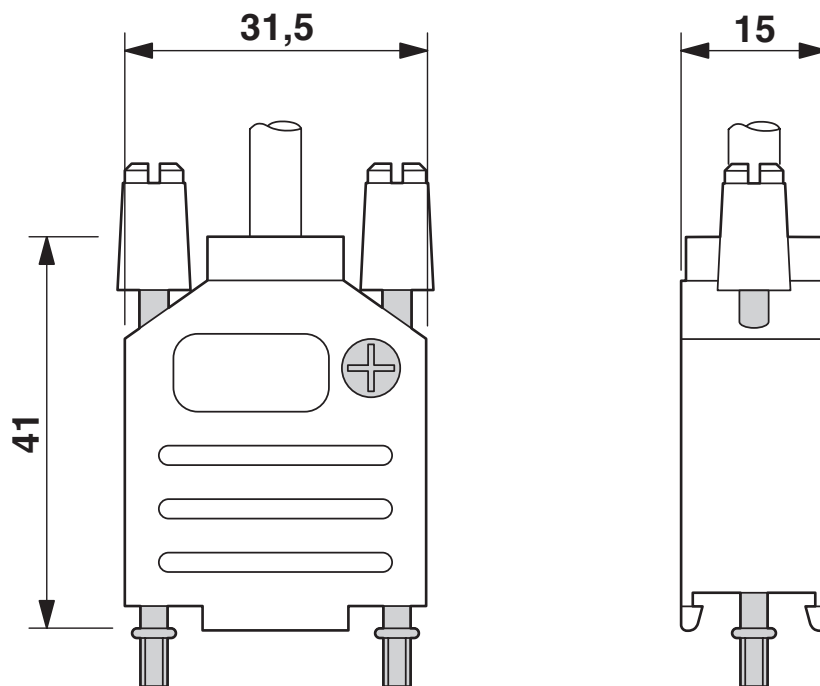
2749550

<https://www.phoenixcontact.com/us/products/2749550>



Drawings

Dimensional drawing



SCT-D-SUB 9-KG - Housing

2749550

<https://www.phoenixcontact.com/us/products/2749550>



Classifications

ECLASS

ECLASS-13.0	27171503
ECLASS-15.0	27171503

ETIM

ETIM 10.0	EC001466
-----------	----------

UNSPSC

UNSPSC 21.0	39121600
-------------	----------

SCT-D-SUB 9-KG - Housing



2749550

<https://www.phoenixcontact.com/us/products/2749550>

Environmental product compliance

EU RoHS

Fulfills EU RoHS substance requirements	Yes, No exemptions
-----------------------------------------	--------------------

China RoHS

Environment friendly use period (EFUP)	EFUP-E
	No hazardous substances above the limits

EU REACH SVHC

REACH candidate substance (CAS No.)	No substance above 0.1 wt%
-------------------------------------	----------------------------

Phoenix Contact 2026 © - all rights reserved
<https://www.phoenixcontact.com>

Phoenix Contact USA
586 Fulling Mill Road
Middletown, PA 17057, United States
(+717) 944-1300
info@phoenixcon.com