

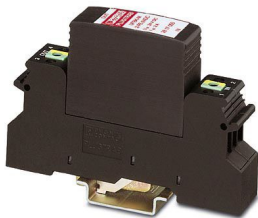
UFBK 2-PE-HF-BE - Surge protection base-element



2748975

<https://www.phoenixcontact.com/us/products/2748975>

Please be informed that the data shown in this PDF document is generated from our online catalog. Please find the complete data in the user documentation. Our general terms of use for downloads are valid.



Base element for protective plugs UFBK and UFBK-M with HF two-conductor protection for floating signal circuits, for mounting on NS 32 or NS 35/7.5, housing width: 17.5 mm

Commercial data

Item number	2748975
Packing unit	1 pc
Note	Made to order (non-returnable)
Sales key	CL02
Product key	CL2121
GTIN	4017918139667
Weight per piece (including packing)	53.9 g
Weight per piece (excluding packing)	53.9 g
Customs tariff number	85363010
Country of origin	DE

UFBK 2-PE-HF-BE - Surge protection base-element

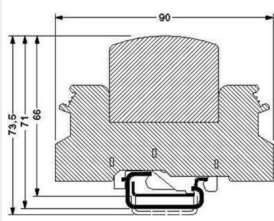


2748975

<https://www.phoenixcontact.com/us/products/2748975>

Technical data

Dimensions

Dimensional drawing	
Horizontal pitch	1 Div.

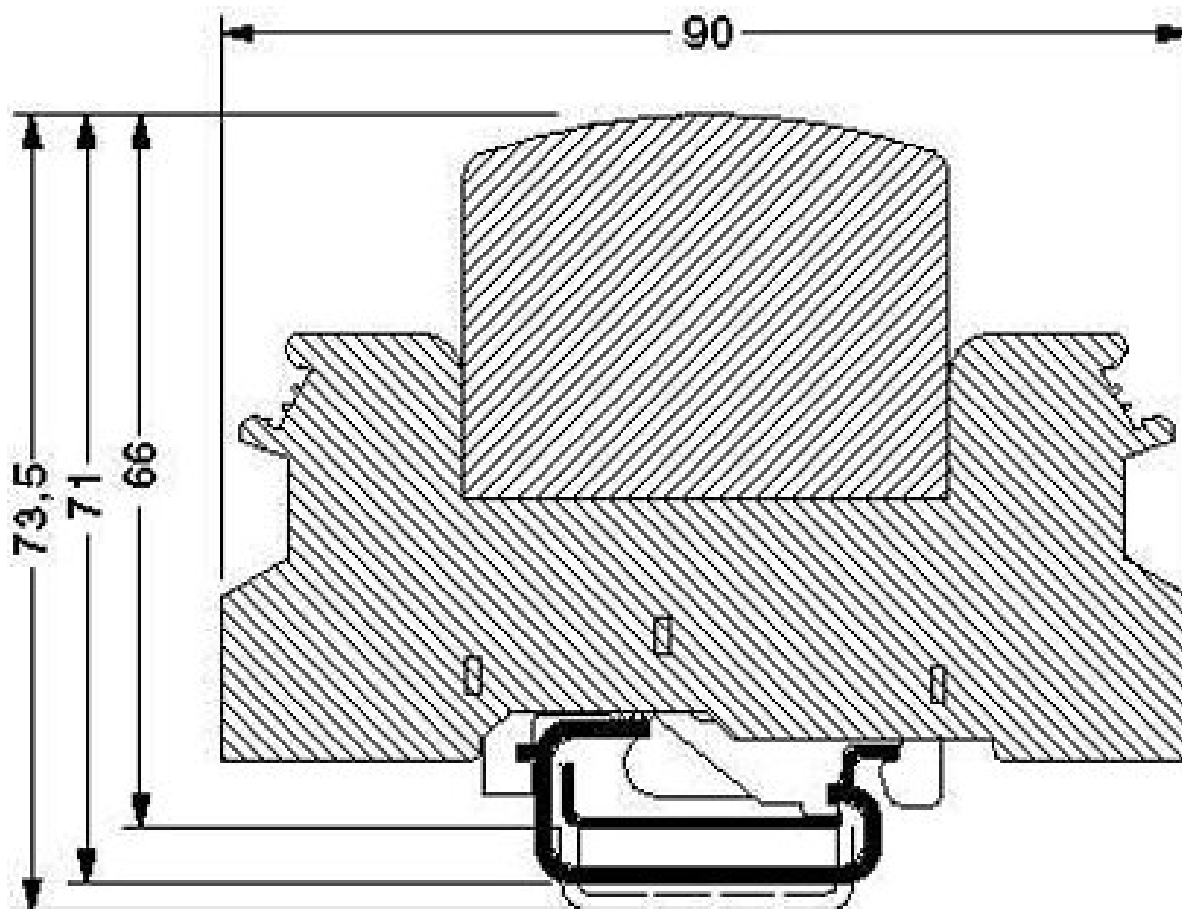
UFBK 2-PE-HF-BE - Surge protection base-element

2748975

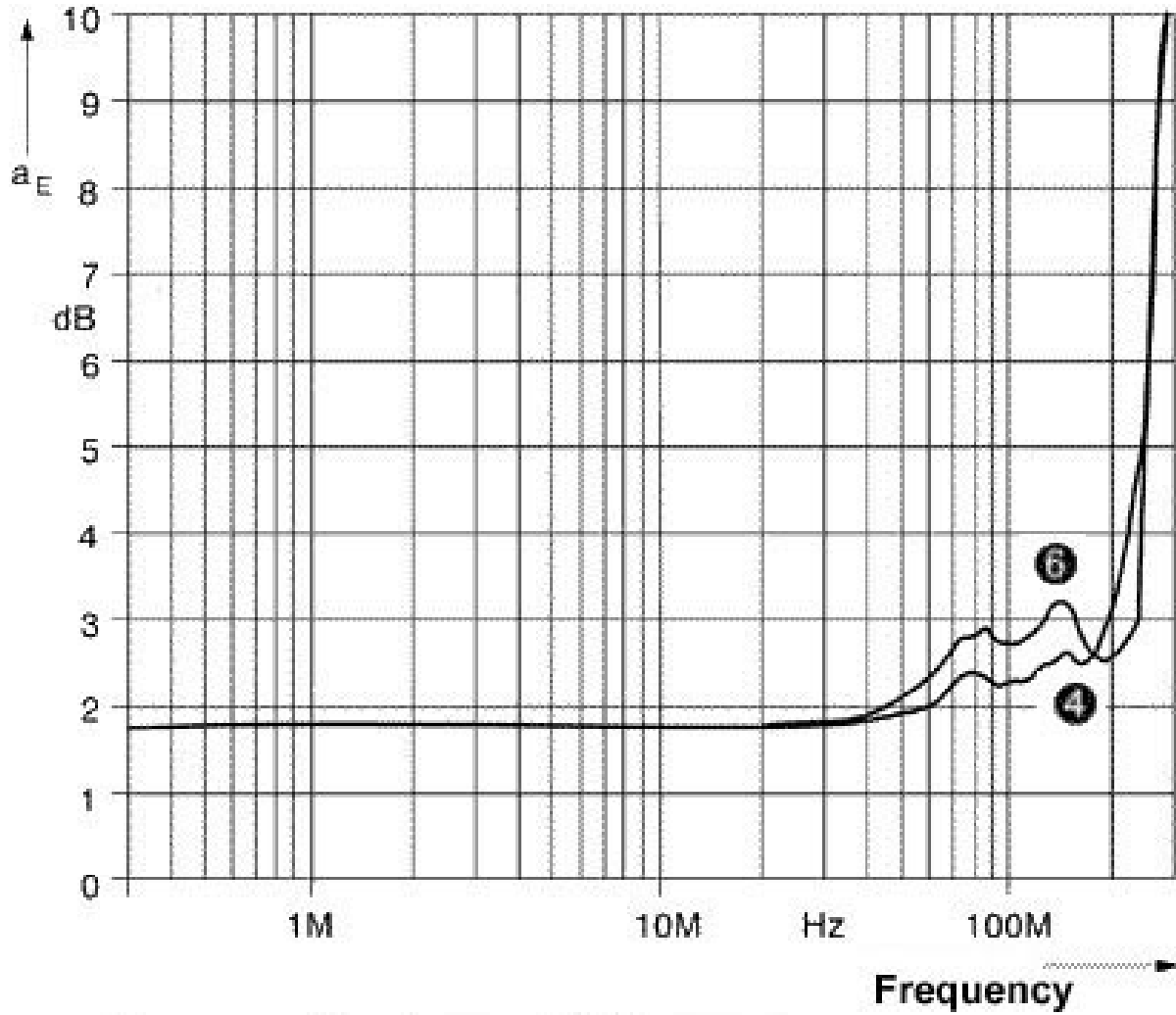
<https://www.phoenixcontact.com/us/products/2748975>

Drawings

Dimensional drawing



Diagram



- ④ symmetrical curve (50 Ω)
- ⑥ asymmetrical curve (50 Ω)

Circuit diagram



UFBK 2-PE-HF-BE - Surge protection base-element



2748975

<https://www.phoenixcontact.com/us/products/2748975>

Environmental product compliance

EU REACH SVHC

REACH candidate substance (CAS No.)	
-------------------------------------	--

	No substance above 0.1 wt%
--	----------------------------

Phoenix Contact 2026 © - all rights reserved

<https://www.phoenixcontact.com>

Phoenix Contact USA
586 Fulling Mill Road
Middletown, PA 17057, United States
(+717) 944-1300
info@phoenixcon.com