

MT-2/1-S- 48DC - Surge protection device



2748056

<https://www.phoenixcontact.com/us/products/2748056>

Please be informed that the data shown in this PDF document is generated from our online catalog. Please find the complete data in the user documentation. Our general terms of use for downloads are valid.



Rail-mountable module with surge voltage fine protection, mounting on NS 35/7.5. Nominal voltage: 48 V DC, housing width: 12.5 mm

Commercial data

Item number	2748056
Packing unit	10 pc
Minimum order quantity	1 pc
Note	Made to order (non-returnable)
Product key	CL2251
GTIN	4017918062309
Weight per piece (including packing)	36.78 g
Weight per piece (excluding packing)	30.725 g
Country of origin	DE

MT-2/1-S- 48DC - Surge protection device



2748056

<https://www.phoenixcontact.com/us/products/2748056>

Technical data

Product properties

Product type	Surge protection for MCR technology
IEC test classification	C1
	C2
	C3
Type	DIN rail module, one-piece
Number of positions	2
Surge protection fault message	none
Wire pairs per module	1

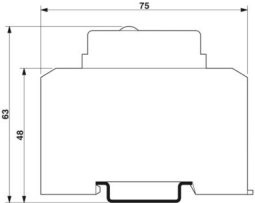
Electrical properties

Nominal voltage U_N	48 V DC
-----------------------	---------

Connection data

Connection method	Screw terminal blocks
Screw thread	M3
Conductor cross-section flexible	0.2 mm ² ... 2.5 mm ²
Conductor cross-section rigid	0.2 mm ² ... 4 mm ²
Conductor cross-section AWG	24 ... 12

Dimensions

Dimensional drawing	
Width	12.4 mm
Height	77.5 mm
Depth	55 mm

Material specifications

Flammability rating according to UL 94	V-0
Housing material	PA-F

Mechanical properties

Mechanical data	
Open side panel	No

Protective circuit

Direction of action	Line-Line
---------------------	-----------

MT-2/1-S- 48DC - Surge protection device



2748056

<https://www.phoenixcontact.com/us/products/2748056>

Nominal voltage U_N	48 V DC
Maximum continuous operating voltage U_C	52 V DC
	36 V AC
Rated current	6 A
Operating effective current I_C at U_C	$\leq 10 \mu\text{A}$
Nominal discharge current I_n (8/20) μs (line-line)	1.1 kA
Total discharge current I_{Total} (8/20) μs	1.1 kA
Max. discharge current I_{max} (8/20) μs maximum (line-line)	1.1 kA
Nominal pulse current I_{an} (10/1000) μs (line-line)	119 A
Output voltage limitation at 1 kV/ μs (line-line) static	$\leq 80 \text{ V}$
Residual voltage at I_n (conductor-conductor)	$\leq 115 \text{ V}$
Residual voltage with I_{an} (10/1000) μs (line-line)	$\leq 85 \text{ V}$
Response time t_A (line-line)	$\leq 1 \text{ ns}$
Capacity (Core-Core)	typ. 3.5 nF
Surge protection fault message	none
Impulse durability (line-line)	C1 - 1 kV / 500 A
	C2 - 2 kV / 1 kA
	C3 - 100 A

Environmental and real-life conditions

Ambient conditions

Degree of protection	IP20
Ambient temperature (operation)	-40 °C ... 85 °C

Standards and regulations

Standards Information technology specification

Standards/regulations	IEC 61643-21
	IEC 61643-21

Air clearances and creepage distances

Standards/regulations	VDE 0110-1
-----------------------	------------

Mounting

Mounting type	DIN rail: 35 mm
---------------	-----------------

MT-2/1-S- 48DC - Surge protection device

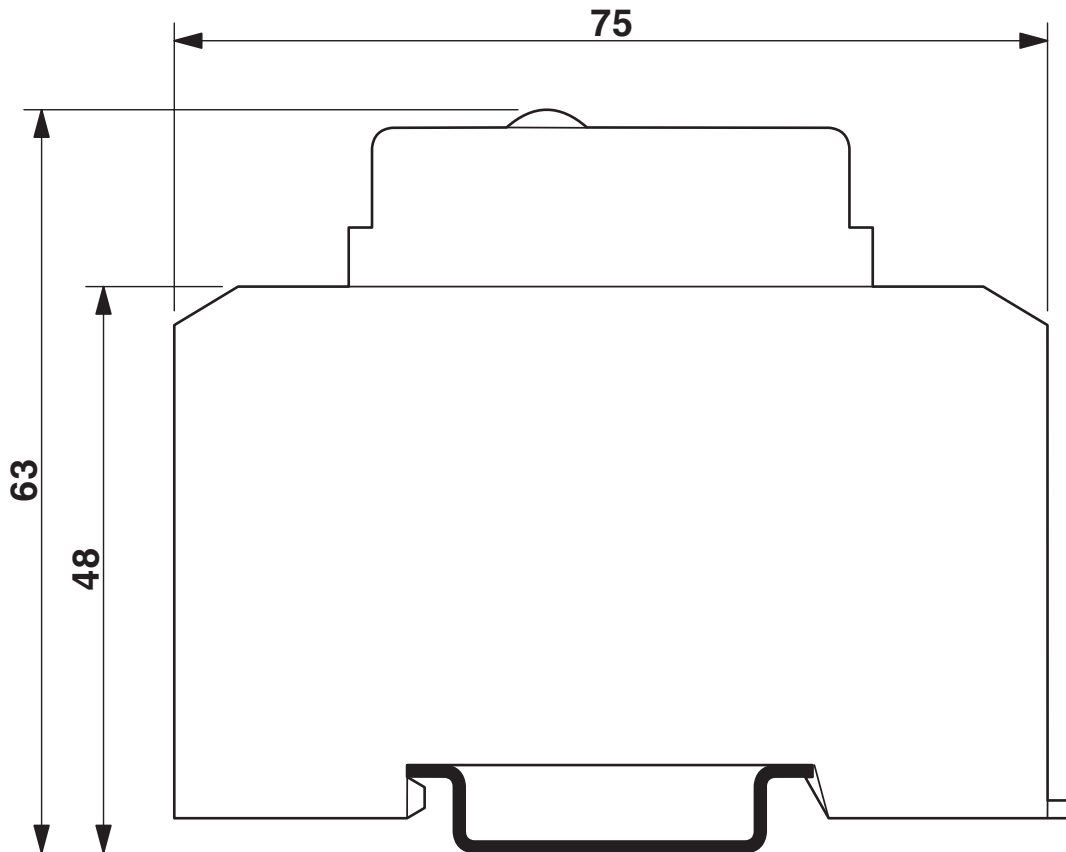


2748056

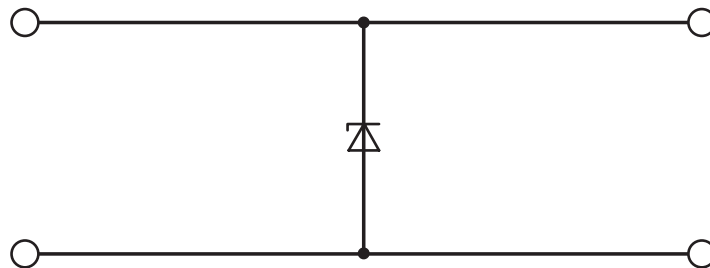
<https://www.phoenixcontact.com/us/products/2748056>

Drawings

Dimensional drawing



Circuit diagram



MT-2/1-S- 48DC - Surge protection device



2748056

<https://www.phoenixcontact.com/us/products/2748056>

Environmental product compliance

EU REACH SVHC

REACH candidate substance (CAS No.)	
-------------------------------------	--

	No substance above 0.1 wt%
--	----------------------------

Phoenix Contact 2026 © - all rights reserved

<https://www.phoenixcontact.com>

Phoenix Contact USA
586 Fulling Mill Road
Middletown, PA 17057, United States
(+717) 944-1300
info@phoenixcon.com