

# FL MC 10BASE-T/FO G850 - FO accessories



2744788

<https://www.phoenixcontact.com/us/products/2744788>

Please be informed that the data shown in this PDF document is generated from our online catalog. Please find the complete data in the user documentation. Our general terms of use for downloads are valid.



Fiber optic converter, for converting 10Base-T to multimode fiberglass, (850 nm), B-FOC (ST®) FO connection, supply 24 V DC

## Commercial data

Item number	2744788
Packing unit	1 pc
Note	Made to order (non-returnable)
Sales key	DN06
Product key	DNC311
GTIN	4017918819460
Weight per piece (including packing)	166.7 g
Weight per piece (excluding packing)	166.7 g
Customs tariff number	85176200
Country of origin	DE

2744788

<https://www.phoenixcontact.com/us/products/2744788>

## Technical data

### Product properties

Product type	Media converter
--------------	-----------------

### Electrical properties

Electrical isolation	10Base-T// supply
Test voltage data interface/power supply	500 V

### Supply

Nominal supply voltage	24 V DC $\pm$ 20 %
Max. current consumption	55 mA

### Connection data

#### Supply

Connection method	COMBICON plug-in screw terminal block
-------------------	---------------------------------------

### Interfaces

Signal	Ethernet
--------	----------

#### Data: optical FO

Transmit capacity, minimum	min. -22 dBm ((50/125 $\mu$ m) dynamic in link mode (average))
	min. -18.2 dBm ((62,5/125 $\mu$ m) dynamic in link mode (average))
	min. -19 dBm (50/125 $\mu$ m, static)
	min. -15.2 dBm (62,5/125 $\mu$ m, static)
Transmit capacity, maximum	max. -15.8 dBm ((50/125 $\mu$ m) dynamic in link mode (average))
	max. -12 dBm ((62,5/125 $\mu$ m) dynamic in link mode (average))
	max. -12.8 dBm (50/125 $\mu$ m, static)
	max. -9 dBm (62,5/125 $\mu$ m, static)
Transmission length incl. 3 dB system reserve	min. 3000 m (with F-G 50/125 2.5 dB/km)
	min. 3800 m (with F-G 62,5/125 3.0 dB/km)
	min. 3000 m (with F-G 62,5/125 3,75 dB/km)
Connection method	B-FOC (ST®)
Wavelength	850 nm
Minimum receiver sensitivity	min. -32.5 dBm (dynamic in link mode (average))
	min. -29.5 dBm (static)
Transmission medium	Polymer fiber

#### Data: Ethernet interface, 10BASE-T

Serial transmission speed	10 Mbps
Connection method	RJ45 jack, shielded
Transmission medium	Copper
Signal LEDs	Activity, link status

### Dimensions

# FL MC 10BASE-T/FO G850 - FO accessories



2744788

<https://www.phoenixcontact.com/us/products/2744788>

Width	22.5 mm
Height	99 mm
Depth	127 mm

## Material specifications

Color (Housing)	green (RAL 6021)
Material (Housing)	PA V0

## Cable/line

### FO cable

Fiber types	50/125 µm
	62.5/125 µm
	Fiberglass

## Environmental and real-life conditions

### Ambient conditions

Degree of protection	IP20
Ambient temperature (operation)	0 °C ... 55 °C

## EMC data

Electromagnetic compatibility	Conformance with EMC directive 89/336/EC
Noise immunity	EN 61000-6-2:2005

### Noise emission

Standards/regulations	EN 50081-2
-----------------------	------------

## Standards and regulations

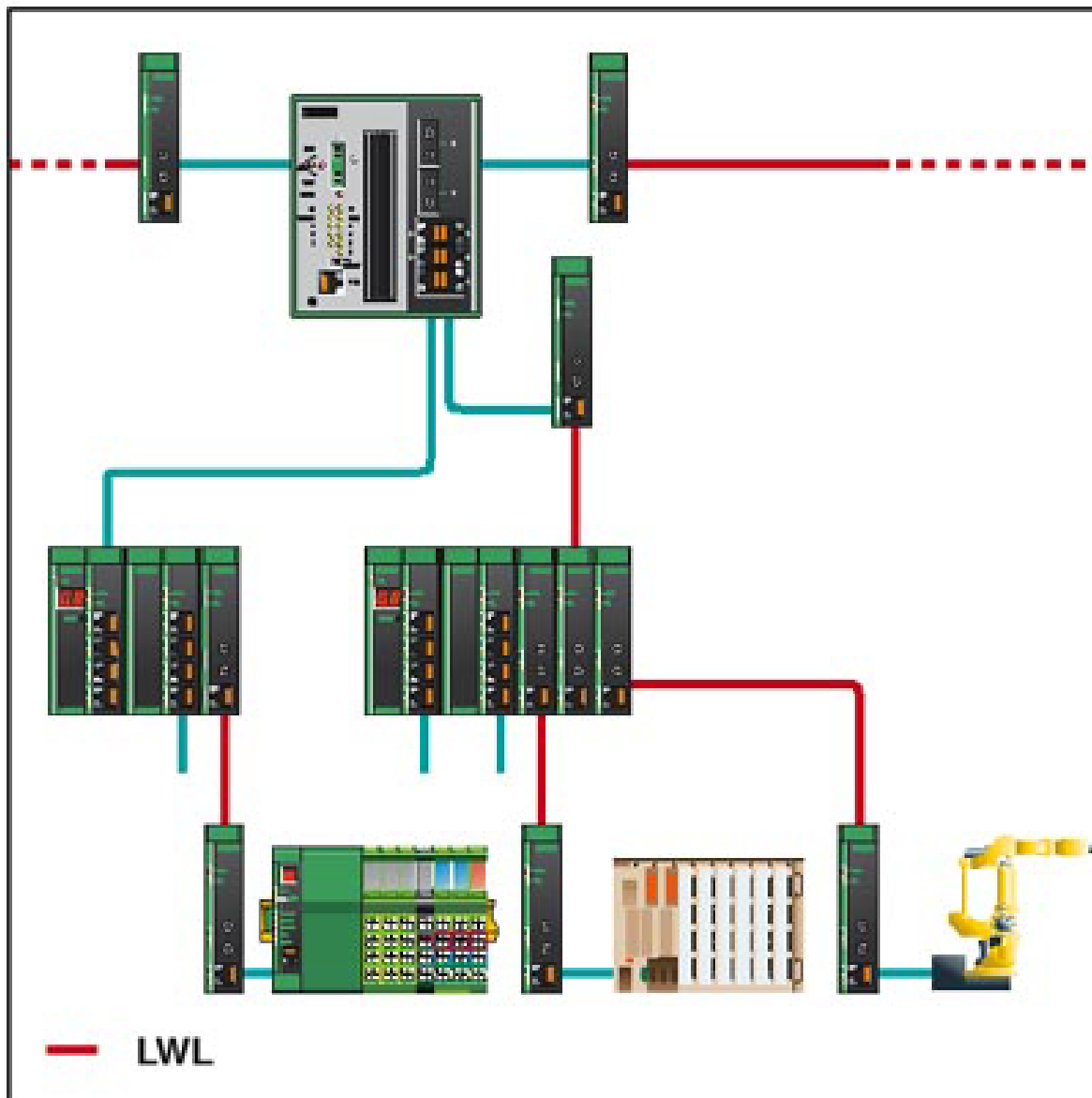
Electrical isolation	10Base-T// supply
----------------------	-------------------

## Mounting

Mounting type	DIN rail mounting
---------------	-------------------

## Drawings

Application drawing



2744788

<https://www.phoenixcontact.com/us/products/2744788>

## Environmental product compliance

### EU RoHS

Fulfills EU RoHS substance requirements	Yes
Exemption	6(c), 7(a), 7(c)-I

### EU REACH SVHC

REACH candidate substance (CAS No.)	Lead(CAS: 7439-92-1)
-------------------------------------	----------------------

Phoenix Contact 2026 © - all rights reserved  
<https://www.phoenixcontact.com>

Phoenix Contact USA  
586 Fulling Mill Road  
Middletown, PA 17057, United States  
(+717) 944-1300  
[info@phoenixcon.com](mailto:info@phoenixcon.com)