

SUBCON-PLUS-PROFIB - D-SUB bus connector



2744348

<https://www.phoenixcontact.com/us/products/2744348>

Please be informed that the data shown in this PDF document is generated from our online catalog. Please find the complete data in the user documentation. Our general terms of use for downloads are valid.



D-SUB plug, 9-pos., pin, axial version with two 35° cable entries, bus system: PROFIBUS DP up to 12 Mbps, termination resistor can be switched on via slide switch, pin assignment: 3, 5, 6, 8; spring-cage connection terminal blocks

Your advantages

- Suitable for all common Fast Connect PROFIBUS cables and RS-485 bus lines
- Change to the D-SUB orientation through a reversible connection block

Commercial data

Item number	2744348
Packing unit	1 pc
Minimum order quantity	1 pc
Sales key	DN10
Product key	DNC531
GTIN	4017918172947
Weight per piece (including packing)	38.7 g
Weight per piece (excluding packing)	39.7 g
Customs tariff number	85366990
Country of origin	DE

SUBCON-PLUS-PROFIB - D-SUB bus connector



2744348

<https://www.phoenixcontact.com/us/products/2744348>

Technical data

Notes

Note on application

Note on application	Only for industrial use
---------------------	-------------------------

Utilization restriction

CCCex note	Use in potentially explosive areas is not permitted in China.
------------	---

Product properties

Product type	Data plug
MTTF	6706 Years (SN 29500 standard, temperature 25°C, operating cycle 21%)
	1817 Years (SN 29500 standard, temperature 40°C, operating cycle 34.25%)
	155 Years (SN 29500 standard, temperature 40°C, operating cycle 100%)
Pin assignment	3, 5, 6, 8

Electrical properties

Maximum power dissipation for nominal condition	0.025 W
Nominal voltage U_N	30 V AC/DC
Nominal current I_N	100 mA
Transmission medium	Copper

Connection data

D-SUB connection

Connection method	D-SUB connector
-------------------	-----------------

PCB connection

Connection method	Spring-cage connection
Stripping length	9 mm
Conductor cross-section, rigid min.	0.12 mm ²
Conductor cross-section, rigid max.	0.5 mm ²
Single-wire/terminal point, rigid AWG min.	26
Single-wire/terminal point, rigid AWG max.	20

Interfaces

Bus system	PROFIBUS DP
Signal	PROFIBUS

Dimensions

SUBCON-PLUS-PROFIB - D-SUB bus connector



2744348

<https://www.phoenixcontact.com/us/products/2744348>

Dimensional drawing	
Width	16 mm
Height	49.5 mm
Length	60 mm

Material specifications

Color (Housing)	white aluminium (RAL 9006)
Material (Housing)	ABS (metal-plated)

Cable/line

External cable diameter	7.6 mm ... 8.4 mm (Incoming bus line)
-------------------------	---------------------------------------

Mechanical properties

Mechanical data

Insertion/withdrawal cycles	> 200
Fixing screws	4-40 UNC
Tightening torque	0.4 Nm

Mechanical tests

Vibration resistance in accordance with EN 60068-2-6/IEC 60068-2-6	Operation: 5g, 10...150 Hz, 2.5 h, in XYZ direction
Shock in accordance with EN 60068-2-27/IEC 60068-2-27	Operation: 15g, 11 ms period, half-sine shock pulse

Environmental and real-life conditions

Ambient conditions

Degree of protection	IP40
Ambient temperature (operation)	-20 °C ... 75 °C
Ambient temperature (storage/transport)	-25 °C ... 80 °C
Altitude	≤ 5000 m (For restrictions, see the manufacturer's declaration for altitude operation)
Permissible humidity (operation)	10 % ... 95 % (non-condensing)
Permissible humidity (storage/transport)	5 % ... 95 % (non-condensing)

Approvals

ATEX

Identification	⊕ II 3 G Ex ec IIC T4 Gc
Certificate	PxCIF15ATEX2744348X
Note	Please follow the special installation instructions in the documentation!

SUBCON-PLUS-PROFIB - D-SUB bus connector



2744348

<https://www.phoenixcontact.com/us/products/2744348>

UKEX

Identification	Ⓜ II 3 G Ex ec IIC T4 Gc
Certificate	PxCIMA22UKEX2744348X

Corrosive gas test

Identification	ISA-S71.04-1985 G3 Harsh Group A
----------------	----------------------------------

Standards and regulations

Free from substances that could impair the application of coating	VDMA 24364:2018-05
---	--------------------

SUBCON-PLUS-PROFIB - D-SUB bus connector

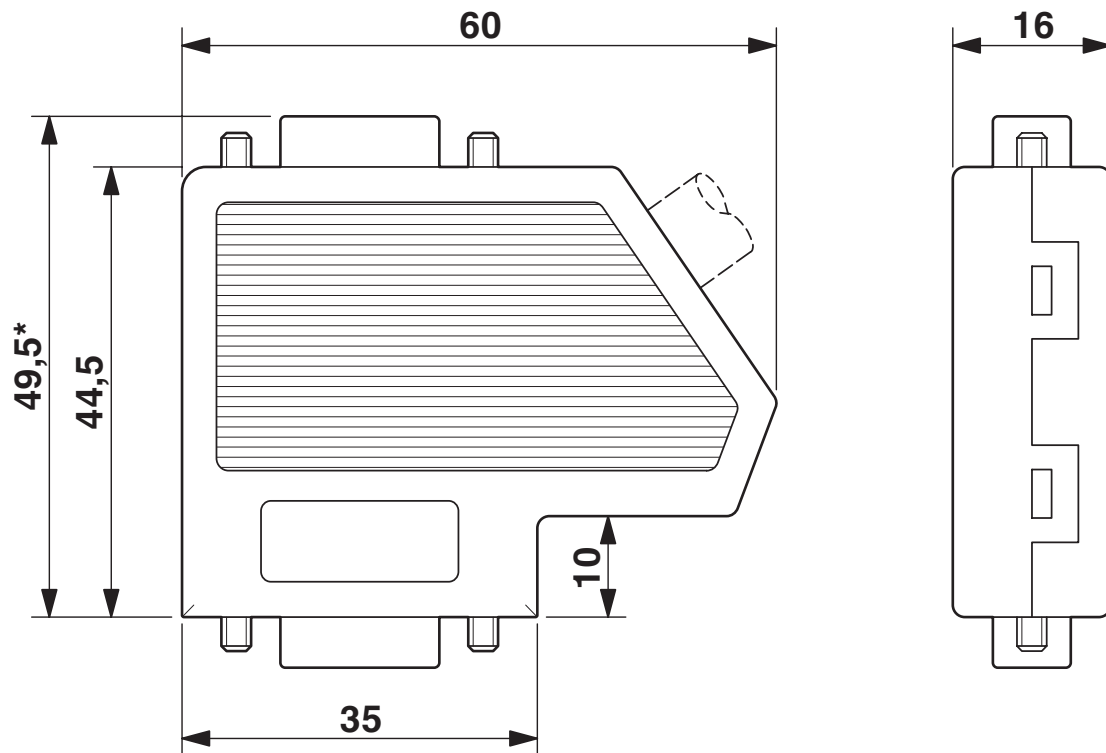
2744348

<https://www.phoenixcontact.com/us/products/2744348>



Drawings

Dimensional drawing



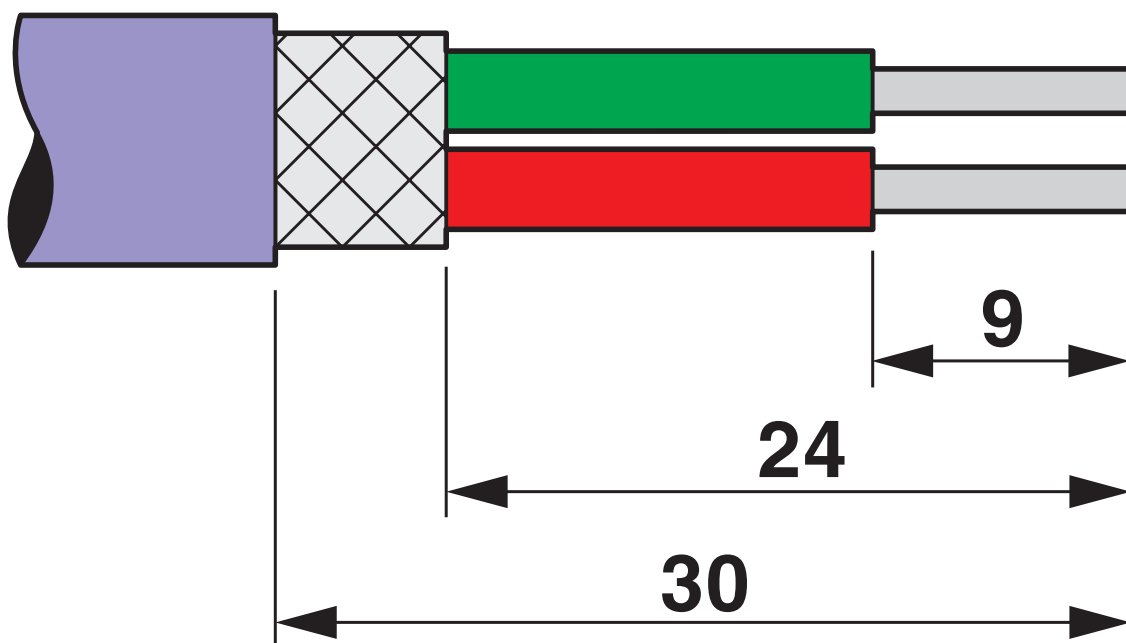
Dimensional drawing

SUBCON-PLUS-PROFIB - D-SUB bus connector

2744348

<https://www.phoenixcontact.com/us/products/2744348>

Schematic diagram



Stripping specifications

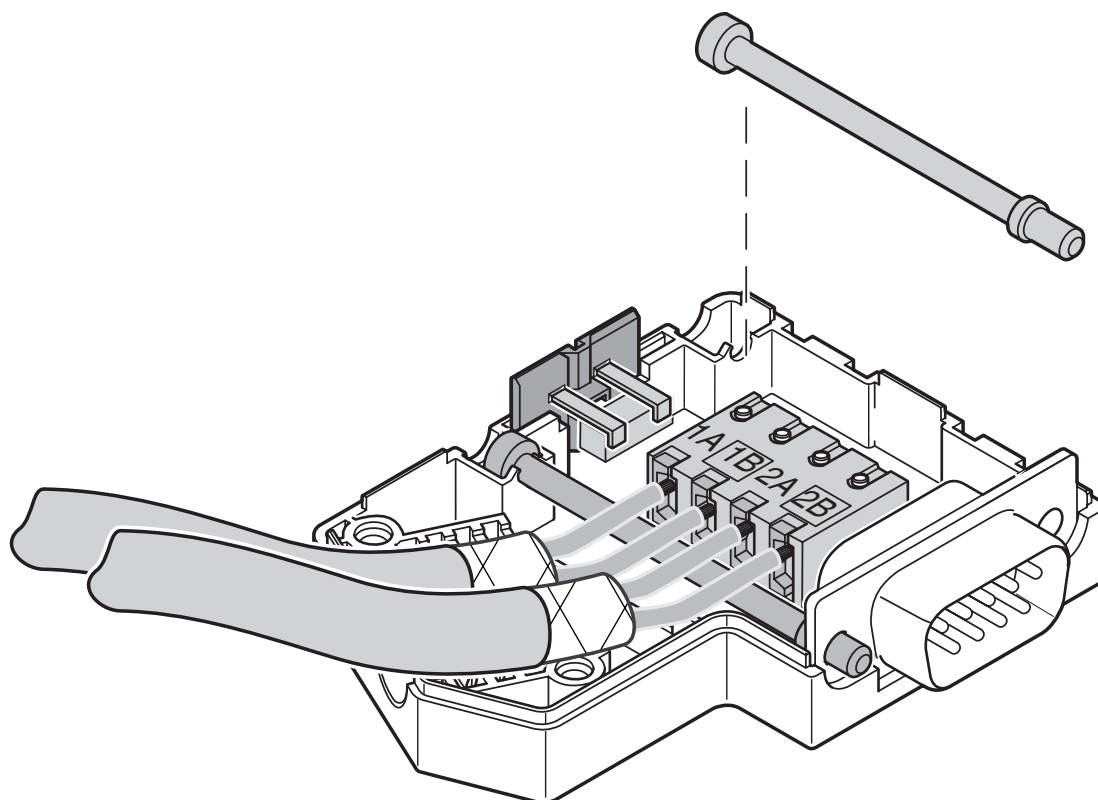
SUBCON-PLUS-PROFIB - D-SUB bus connector



2744348

<https://www.phoenixcontact.com/us/products/2744348>

Schematic diagram



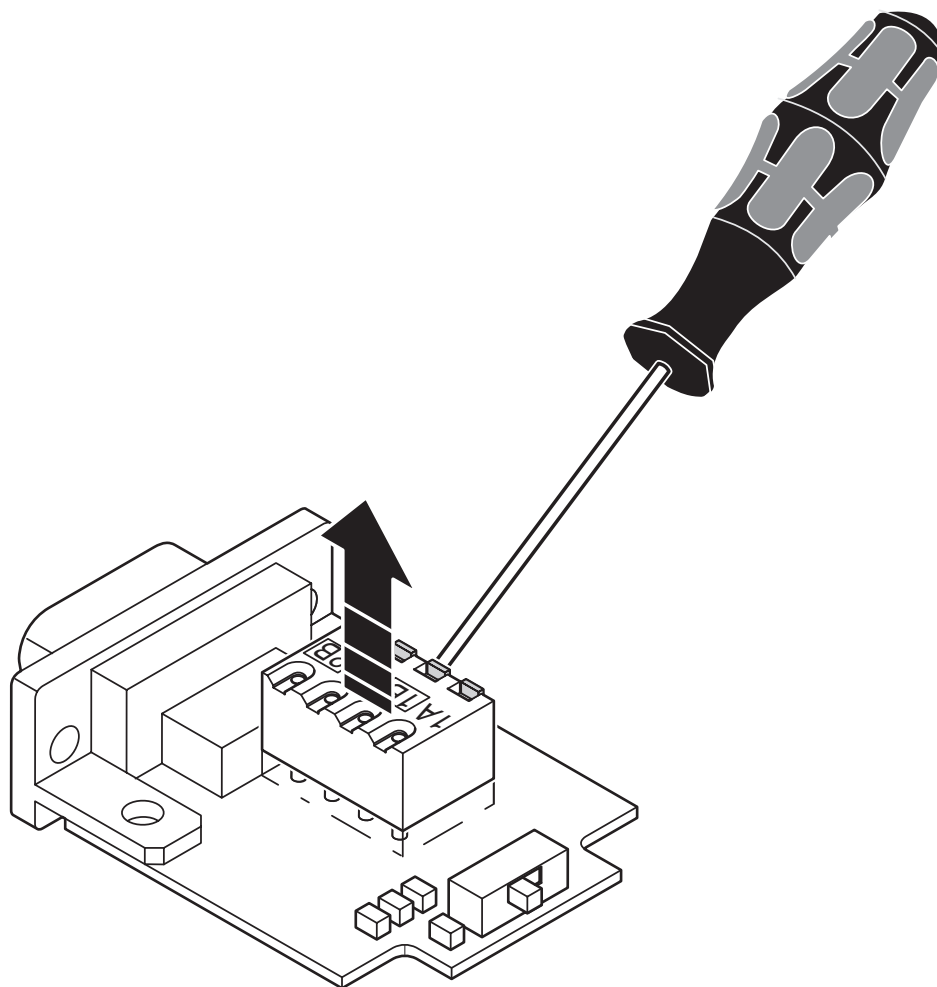
Left-hand side cable entry

SUBCON-PLUS-PROFIB - D-SUB bus connector

2744348

<https://www.phoenixcontact.com/us/products/2744348>

Schematic diagram



Right-hand side cable entry

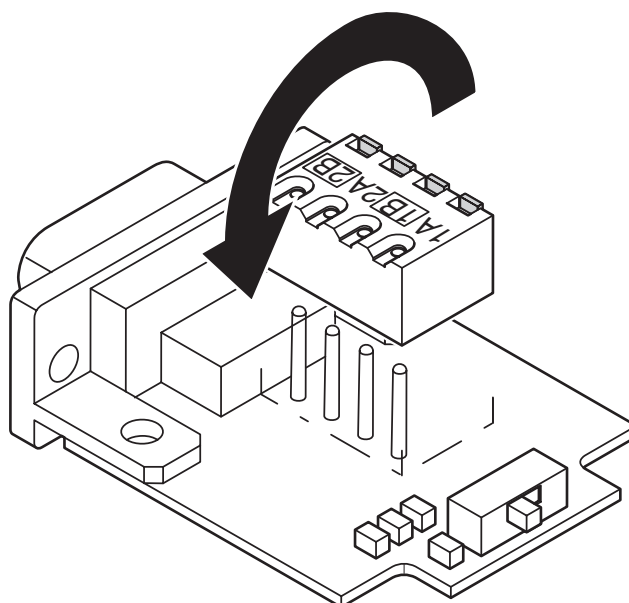
SUBCON-PLUS-PROFIB - D-SUB bus connector

2744348

<https://www.phoenixcontact.com/us/products/2744348>



Schematic diagram



Right-hand side cable entry

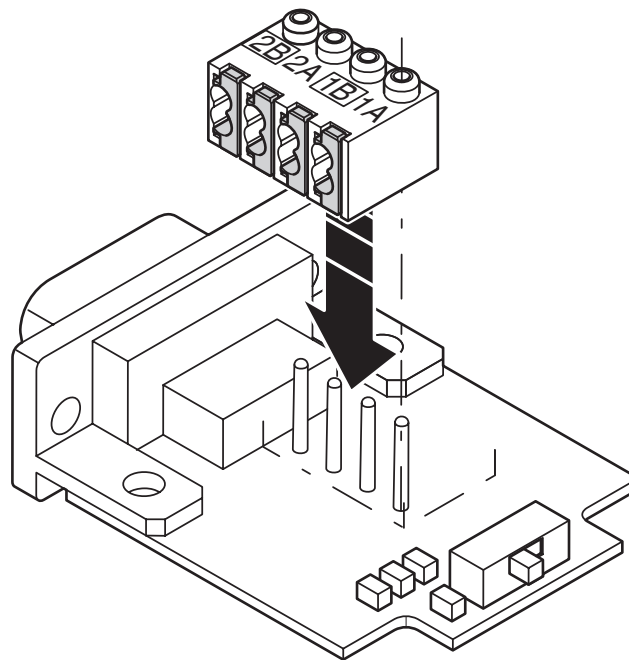
SUBCON-PLUS-PROFIB - D-SUB bus connector

2744348

<https://www.phoenixcontact.com/us/products/2744348>



Schematic diagram



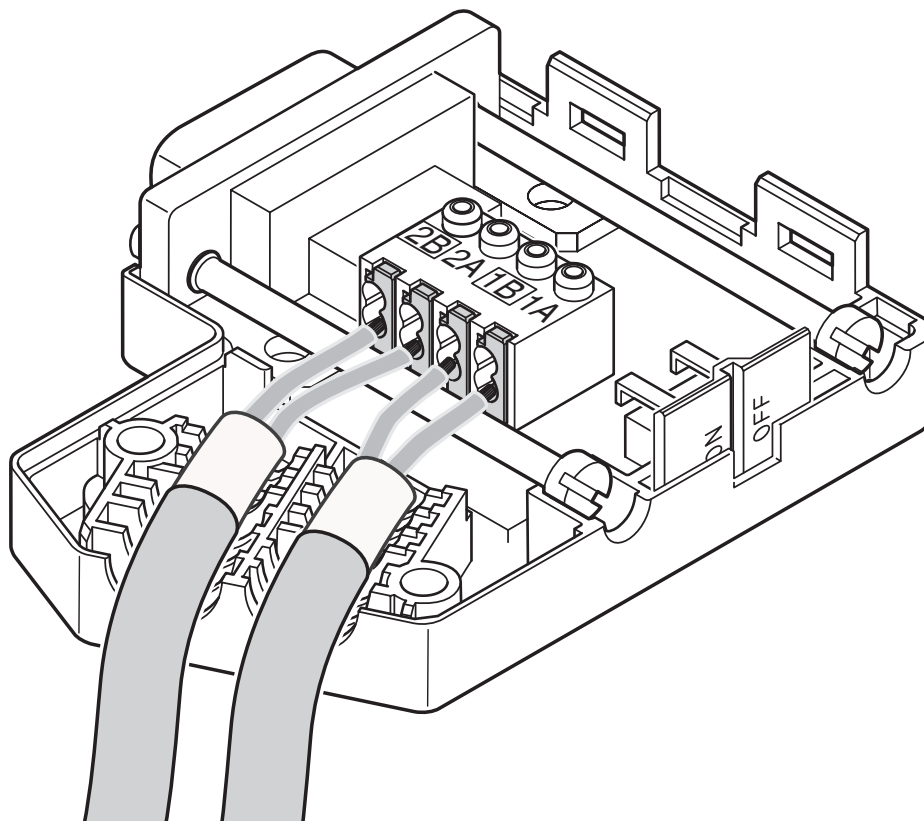
Right-hand side cable entry

SUBCON-PLUS-PROFIB - D-SUB bus connector

2744348

<https://www.phoenixcontact.com/us/products/2744348>

Schematic diagram



Right-hand side cable entry

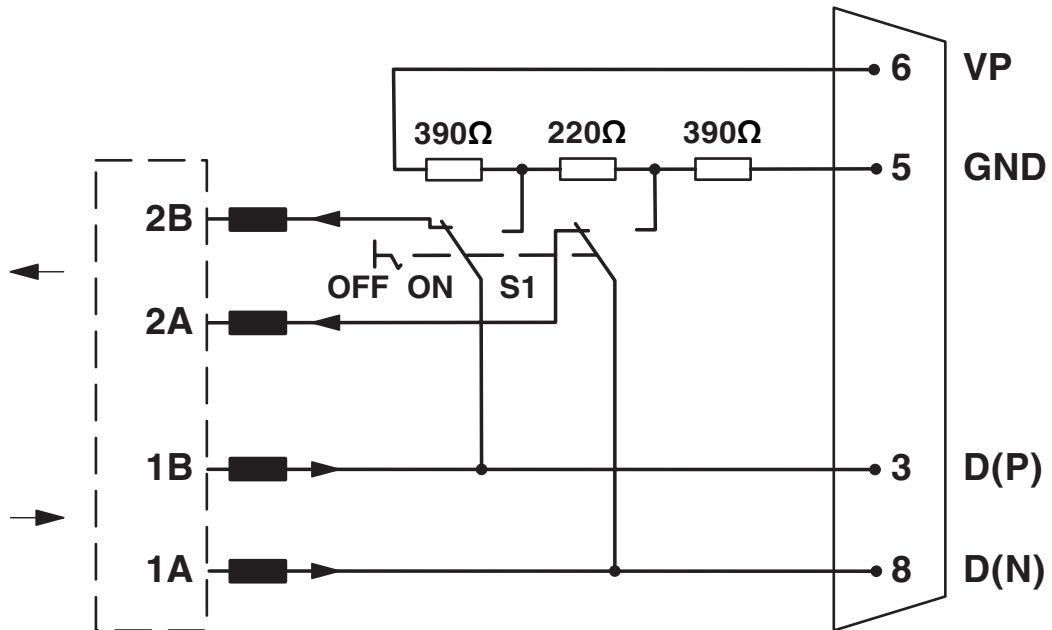
SUBCON-PLUS-PROFIB - D-SUB bus connector



2744348

<https://www.phoenixcontact.com/us/products/2744348>

Circuit diagram



Functional diagram of the connector range
SUBCON-PLUS-PROFIB/...

SUBCON-PLUS-PROFIB - D-SUB bus connector



2744348

<https://www.phoenixcontact.com/us/products/2744348>

Approvals

To download certificates, visit the product detail page: <https://www.phoenixcontact.com/us/products/2744348>



cUL Recognized
Approval ID: E238705



UL Recognized
Approval ID: E238705

SUBCON-PLUS-PROFIB - D-SUB bus connector



2744348

<https://www.phoenixcontact.com/us/products/2744348>

Classifications

ECLASS

ECLASS-13.0	27440302
ECLASS-15.0	27440322

ETIM

ETIM 10.0	EC001132
-----------	----------

UNSPSC

UNSPSC 21.0	39121400
-------------	----------

SUBCON-PLUS-PROFIB - D-SUB bus connector



2744348

<https://www.phoenixcontact.com/us/products/2744348>

Environmental product compliance

EU RoHS

Fulfills EU RoHS substance requirements	Yes, No exemptions
---	--------------------

China RoHS

Environment friendly use period (EFUP)	EFUP-E
	No hazardous substances above the limits

EU REACH SVHC

REACH candidate substance (CAS No.)	No substance above 0.1 wt%
-------------------------------------	----------------------------

Phoenix Contact 2026 © - all rights reserved
<https://www.phoenixcontact.com>

Phoenix Contact USA
586 Fulling Mill Road
Middletown, PA 17057, United States
(+717) 944-1300
info@phoenixcon.com