

SUBCON-PLUS F5 - D-SUB bus connector



2744102

<https://www.phoenixcontact.com/us/products/2744102>

Please be informed that the data shown in this PDF document is generated from our online catalog. Please find the complete data in the user documentation. Our general terms of use for downloads are valid.



D-SUB connector, 9-pos. female connector, two cable entries < 35°, bus system: Modbus, CELELEC, pin assignment: 1, 1, 2, 3, 6, 7; screw connection terminal blocks

Your advantages

- Change to the D-SUB orientation through a reversible connection block
- Easy assembly thanks to knurled screws
- Separate terminal blocks for each cable
- For universal use
- High level of EMC
- Assembly under field conditions
- High transmission speed
- Flexibility in terms of cable entry selection

Commercial data

Item number	2744102
Packing unit	1 pc
Note	Made to order (non-returnable)
Sales key	DN10
Product key	DNC521
GTIN	4017918376055
Weight per piece (including packing)	78.2 g
Weight per piece (excluding packing)	60.8 g
Customs tariff number	85366990
Country of origin	DE

SUBCON-PLUS F5 - D-SUB bus connector



2744102

<https://www.phoenixcontact.com/us/products/2744102>

Technical data

Notes

Utilization restriction

CCCex note	Use in potentially explosive areas is not permitted in China.
------------	---

Product properties

Product type	Data plug
MTTF	6706 Years (SN 29500 standard, temperature 25°C, operating cycle 21%)
	1817 Years (SN 29500 standard, temperature 40°C, operating cycle 34.25%)
	155 Years (SN 29500 standard, temperature 40°C, operating cycle 100%)
Pin assignment	1, 1, 2, 3, 6, 7 on two terminal blocks

Electrical properties

Nominal voltage U_N	50 V
Nominal current I_N	100 mA
Transmission medium	Copper

Connection data

D-SUB connection

Connection method	D-SUB socket
-------------------	--------------

PCB connection

Connection method	Screw connection
Stripping length	5 mm
Conductor cross-section, rigid min.	0.14 mm ²
Conductor cross-section, rigid max.	1.5 mm ²
Conductor cross-section flexible min.	0.14 mm ²
Conductor cross-section flexible max.	1 mm ²
Conductor cross-section AWG min.	26
Conductor cross-section AWG max.	16
Min. AWG conductor cross-section, flexible	26
Max. AWG conductor cross-section, flexible	18

Interfaces

Bus system	Modbus, CELELEC
Signal	RS-485

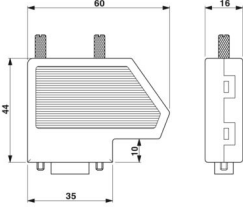
Dimensions

SUBCON-PLUS F5 - D-SUB bus connector



2744102

<https://www.phoenixcontact.com/us/products/2744102>

Dimensional drawing	
Width	16 mm
Height	44 mm
Length	60 mm

Material specifications

Material (Housing)	ABS (metal-plated)
--------------------	--------------------

Cable/line

External cable diameter	6 mm ... 10 mm (Incoming bus line)
-------------------------	------------------------------------

Mechanical properties

Mechanical data

Insertion/withdrawal cycles	> 200
Fixing screws	4-40 UNC
Tightening torque	0.4 Nm

Environmental and real-life conditions

Ambient conditions

Degree of protection	IP20
Ambient temperature (operation)	-20 °C ... 75 °C
Ambient temperature (storage/transport)	-25 °C ... 80 °C
Altitude	≤ 5000 m (For restrictions, see the manufacturer's declaration for altitude operation)

Approvals

ATEX

Identification	⊕ II 3 G Ex nA IIC T4 Gc X
Note	Please follow the special installation instructions in the documentation!

Corrosive gas test

Identification	ISA-S71.04-1985 G3 Harsh Group A
----------------	----------------------------------

Standards and regulations

Free from substances that could impair the application of coating	in accordance with VW-AUDI-Seat central standard P-VW 3.10.7 57 65 0
---	--

SUBCON-PLUS F5 - D-SUB bus connector

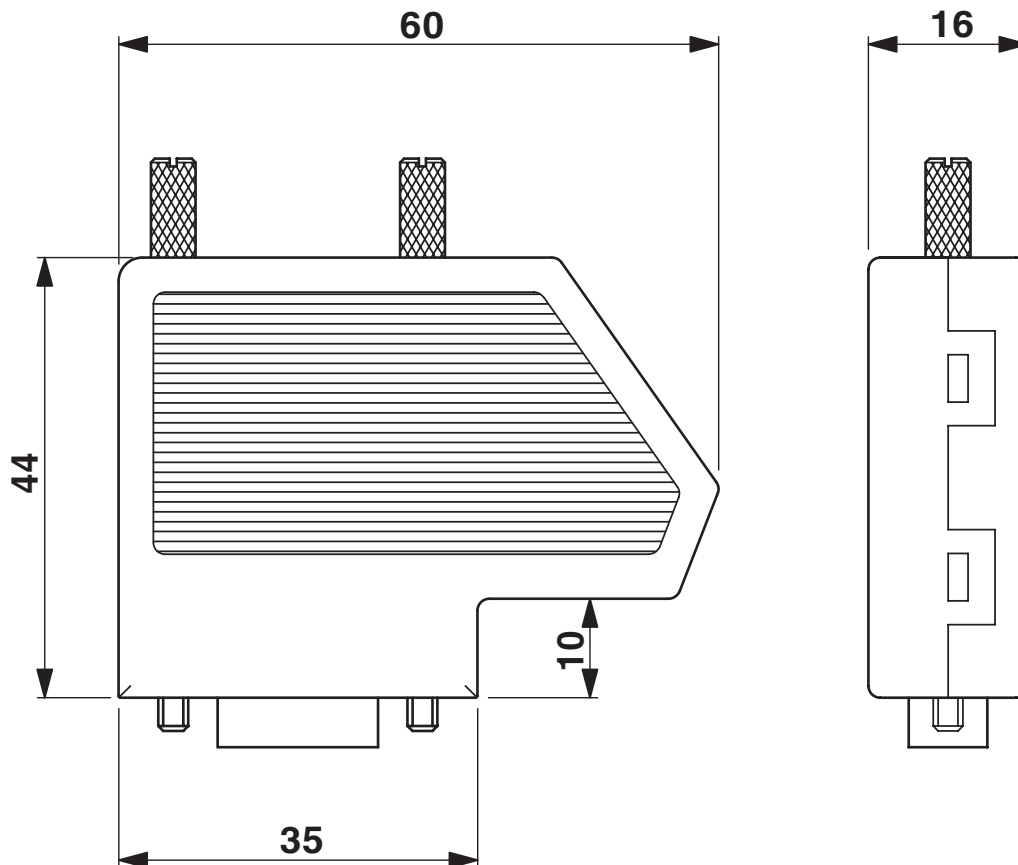
2744102

<https://www.phoenixcontact.com/us/products/2744102>



Drawings

Dimensional drawing



Dimensional drawing SUBCON-PLUS...

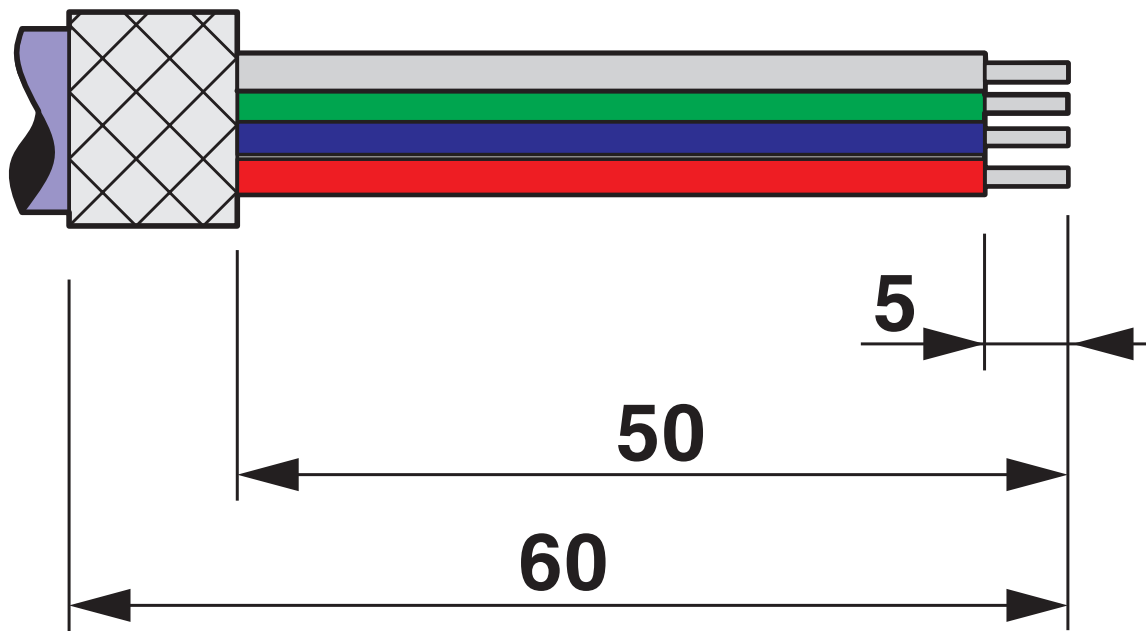
SUBCON-PLUS F5 - D-SUB bus connector



2744102

<https://www.phoenixcontact.com/us/products/2744102>

Schematic diagram



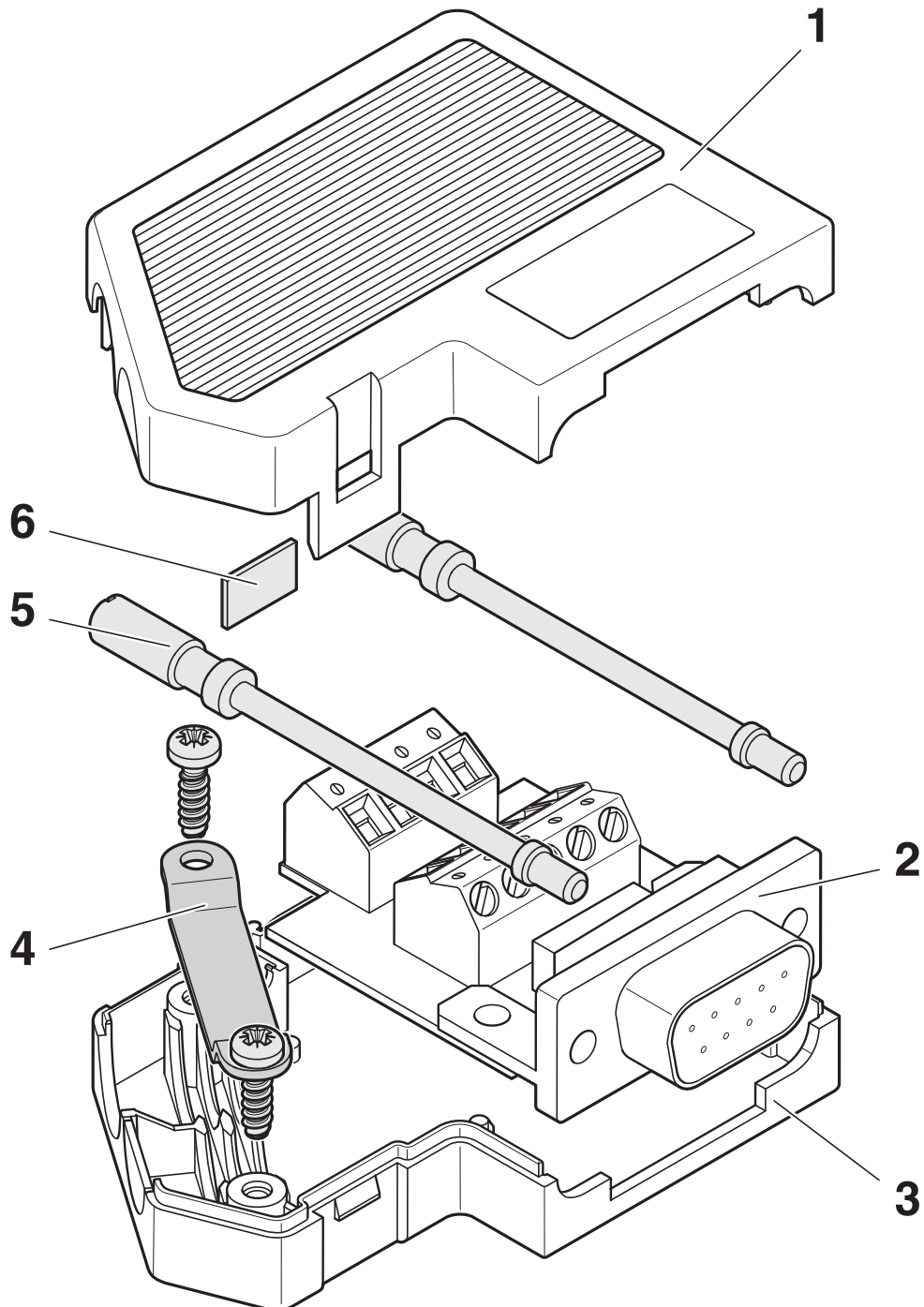
Stripping specifications

SUBCON-PLUS F5 - D-SUB bus connector

2744102

<https://www.phoenixcontact.com/us/products/2744102>

Schematic diagram



Function elements

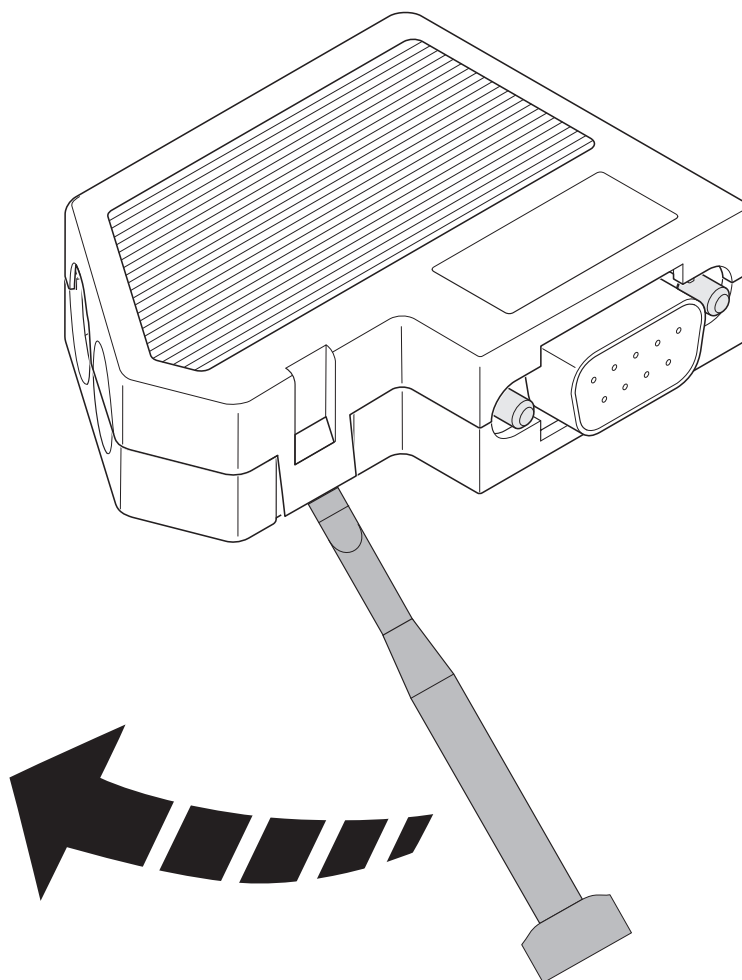
SUBCON-PLUS F5 - D-SUB bus connector

2744102

<https://www.phoenixcontact.com/us/products/2744102>



Schematic diagram



Opening the housing

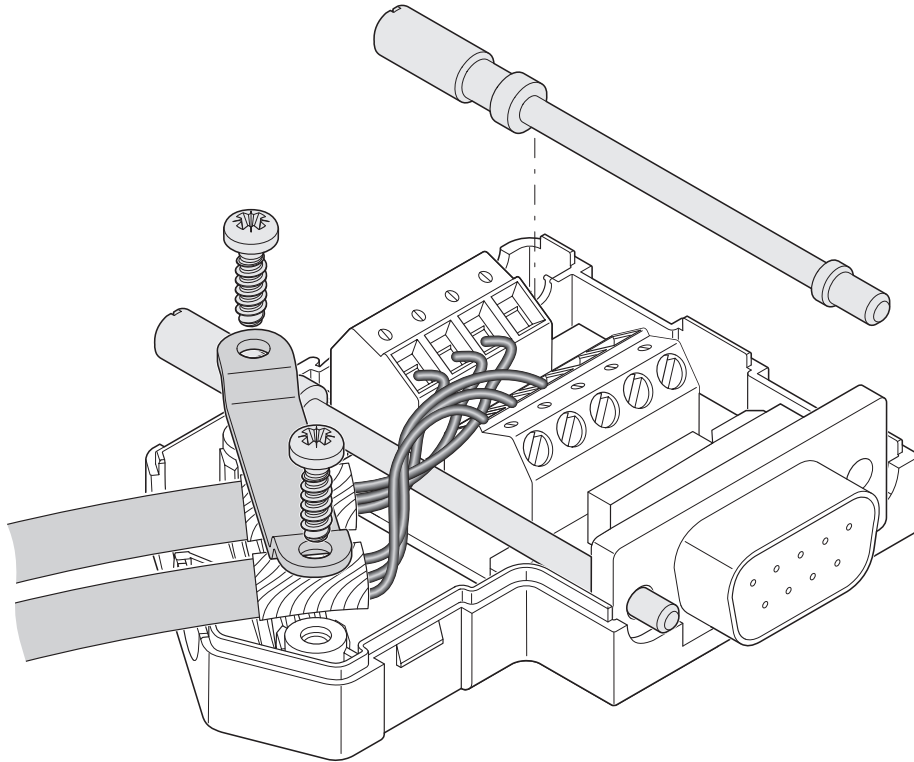
SUBCON-PLUS F5 - D-SUB bus connector



2744102

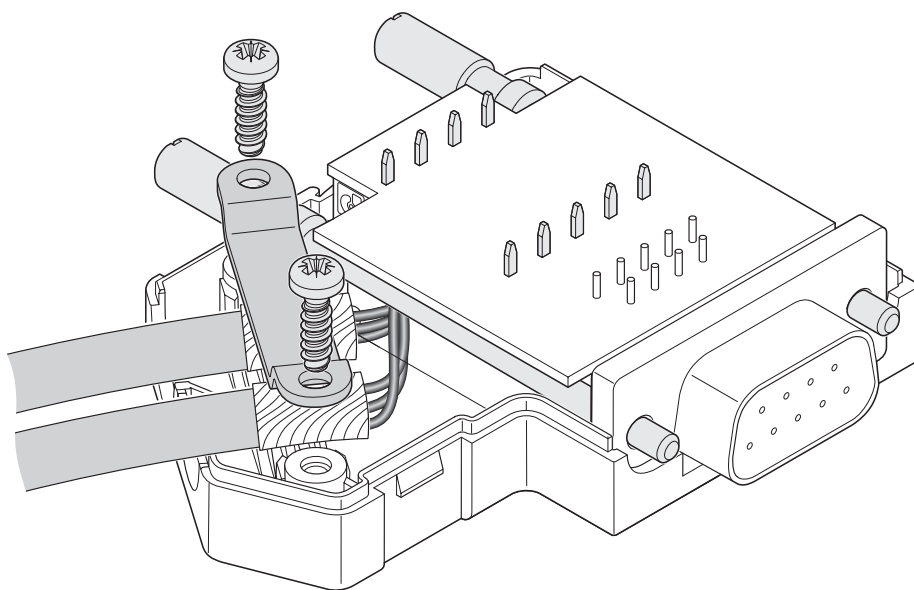
<https://www.phoenixcontact.com/us/products/2744102>

Schematic diagram



Left-hand side cable entry

Schematic diagram



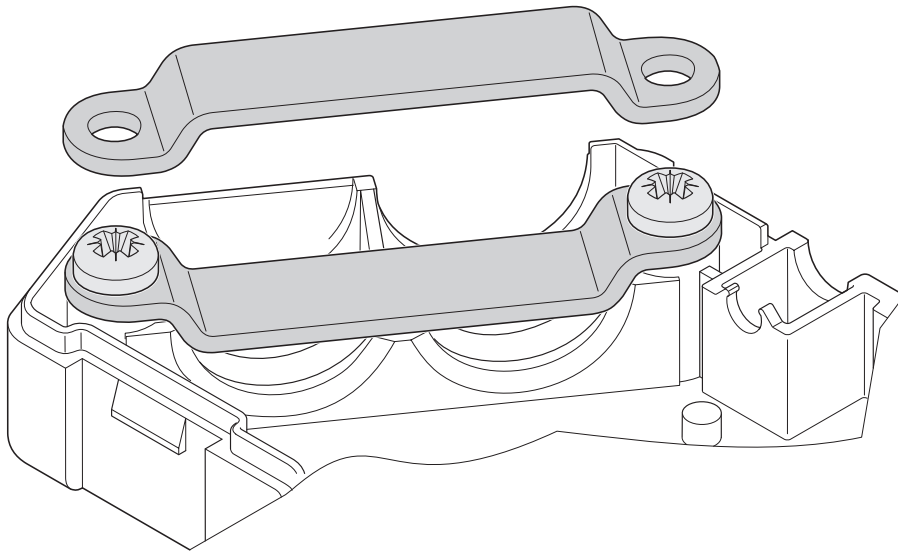
Right-hand side cable entry

SUBCON-PLUS F5 - D-SUB bus connector

2744102

<https://www.phoenixcontact.com/us/products/2744102>

Schematic diagram



Clip bracket

SUBCON-PLUS F5 - D-SUB bus connector



2744102

<https://www.phoenixcontact.com/us/products/2744102>

Environmental product compliance

EU RoHS

Fulfills EU RoHS substance requirements	Yes
Exemption	6(c)

China RoHS

Environment friendly use period (EFUP)	EFUP-50
	An article-related China RoHS declaration table can be found in the download area for the respective article under "Manufacturer declaration". For all articles with EFUP-E, no China RoHS declaration table issued and required.

EU REACH SVHC

REACH candidate substance (CAS No.)	No substance above 0.1 wt%
-------------------------------------	----------------------------

Phoenix Contact 2026 © - all rights reserved
<https://www.phoenixcontact.com>

Phoenix Contact USA
586 Fulling Mill Road
Middletown, PA 17057, United States
(+717) 944-1300
info@phoenixcon.com