

SUBCON-PLUS 9/M - D-SUB bus connector



2744018

<https://www.phoenixcontact.com/us/products/2744018>

Please be informed that the data shown in this PDF document is generated from our online catalog. Please find the complete data in the user documentation. Our general terms of use for downloads are valid.

D-SUB connector, 9-pos., male connector, two 35° cable entries, universal type for all systems, pin assignment: 1, 2, 3, 4, 5, 6, 7, 8, 9 to one screw connection terminal block



Product description

Two cable infeeds are often required on the D-SUB plugs used in order to build fieldbus systems with RS-485 interfaces. The SUBCON-PLUS plugs range fulfills this requirement and routes the connection to screw terminal blocks – however, duplicated – for two cables. This means clarity during wiring and it simplifies every startup. These plugs are of course also shielded against EMC influences with a metallized housing. In addition, by placing the connection block in either the upper or lower shell, it is possible to select the cable infeed on site from the right or left .

Your advantages

- Assembly under field conditions
- Separate terminal blocks for each cable
- High transmission speed
- Easy assembly thanks to knurled screws
- High level of EMC
- Flexibility in terms of cable entry selection
- Can be used universally
- Change to the D-SUB orientation through a reversible connection block



RS-485



RS-232

SUBCON-PLUS 9/M - D-SUB bus connector



2744018

<https://www.phoenixcontact.com/us/products/2744018>

RS-422

Commercial data

Item number	2744018
Packing unit	1 pc
Minimum order quantity	1 pc
Sales key	DN10
Product key	DNC521
GTIN	4017918888817
Weight per piece (including packing)	56 g
Weight per piece (excluding packing)	28 g
Customs tariff number	85366990
Country of origin	DE

SUBCON-PLUS 9/M - D-SUB bus connector



2744018

<https://www.phoenixcontact.com/us/products/2744018>

Technical data

Notes

Utilization restriction

CCCex note	Use in potentially explosive areas is not permitted in China.
------------	---

Product properties

Product type	Data plug
MTTF	6706 Years (SN 29500 standard, temperature 25°C, operating cycle 21%)
	1817 Years (SN 29500 standard, temperature 40°C, operating cycle 34.25%)
	155 Years (SN 29500 standard, temperature 40°C, operating cycle 100%)
Pin assignment	All connections are 1:1 on the screw terminal block

Electrical properties

Nominal voltage U_N	50 V DC
Nominal current I_N	100 mA
Transmission medium	Copper

Connection data

D-SUB connection

Connection method	D-SUB connector
-------------------	-----------------

PCB connection

Connection method	Screw connection
Stripping length	5 mm
Conductor cross-section, rigid min.	0.14 mm ²
Conductor cross-section, rigid max.	1.5 mm ²
Conductor cross-section flexible min.	0.14 mm ²
Conductor cross-section flexible max.	1 mm ²
Single-wire/terminal point, rigid AWG min.	26
Single-wire/terminal point, rigid AWG max.	16
Min. AWG conductor cross-section, flexible	26
Max. AWG conductor cross-section, flexible	18
Tightening torque	0.22 Nm ... 0.25 Nm

Interfaces

Bus system	RS-485
Signal	RS-485

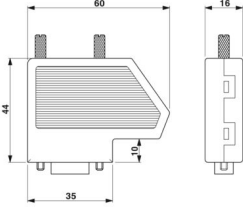
Dimensions

SUBCON-PLUS 9/M - D-SUB bus connector



2744018

<https://www.phoenixcontact.com/us/products/2744018>

Dimensional drawing	
Width	16 mm
Height	44 mm
Length	60 mm

Material specifications

Color (Housing)	white aluminium (RAL 9006)
Material (Housing)	ABS (metal-plated)

Cable/line

External cable diameter	6 mm ... 10 mm (Incoming bus line)
-------------------------	------------------------------------

Mechanical properties

Mechanical data

Insertion/withdrawal cycles	> 200
Fixing screws	4-40 UNC
Tightening torque	0.4 Nm

Mechanical tests

Vibration resistance in accordance with EN 60068-2-6/IEC 60068-2-6	Vibration (operation): 5g, 10...150 Hz, 2.5 h, in XYZ direction
Shock in accordance with EN 60068-2-27/IEC 60068-2-27	Shock (operation): 15g, 11 ms period, half-sine shock pulse

Environmental and real-life conditions

Ambient conditions

Degree of protection	IP20
Ambient temperature (operation)	-20 °C ... 75 °C
Ambient temperature (storage/transport)	-25 °C ... 80 °C
Altitude	≤ 5000 m (For restrictions, see the manufacturer's declaration for altitude operation)
Permissible humidity (operation)	10 % ... 95 % (non-condensing)
Permissible humidity (storage/transport)	5 % ... 95 % (non-condensing)

Approvals

ATEX

Identification	Ⓔ II 3 G Ex ec IIC T4 Gc
Certificate	PxCIF15ATEX2744241X

SUBCON-PLUS 9/M - D-SUB bus connector



2744018

<https://www.phoenixcontact.com/us/products/2744018>

Note	Please follow the special installation instructions in the documentation!
Corrosive gas test	
Identification	ISA-S71.04-1985 G3 Harsh Group A

Standards and regulations

Free from substances that could impair the application of coating	VDMA 24364:2018-05
---	--------------------

SUBCON-PLUS 9/M - D-SUB bus connector

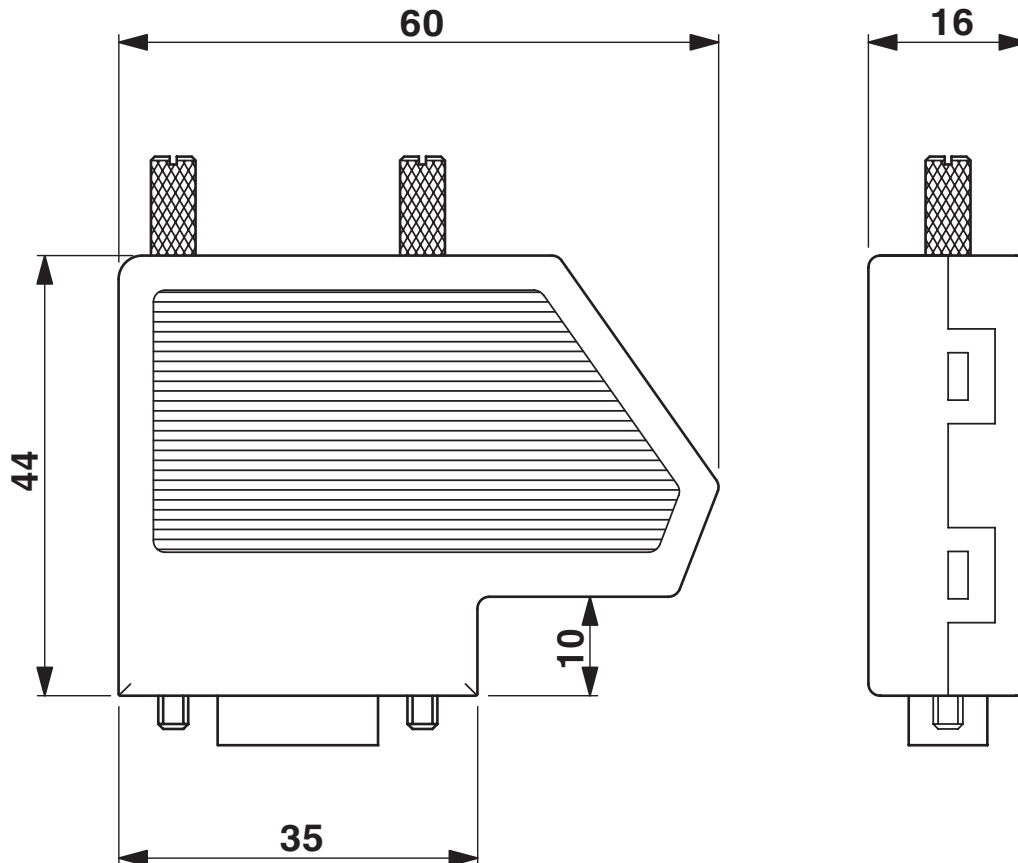
2744018

<https://www.phoenixcontact.com/us/products/2744018>



Drawings

Dimensional drawing



Dimensional drawing SUBCON-PLUS...

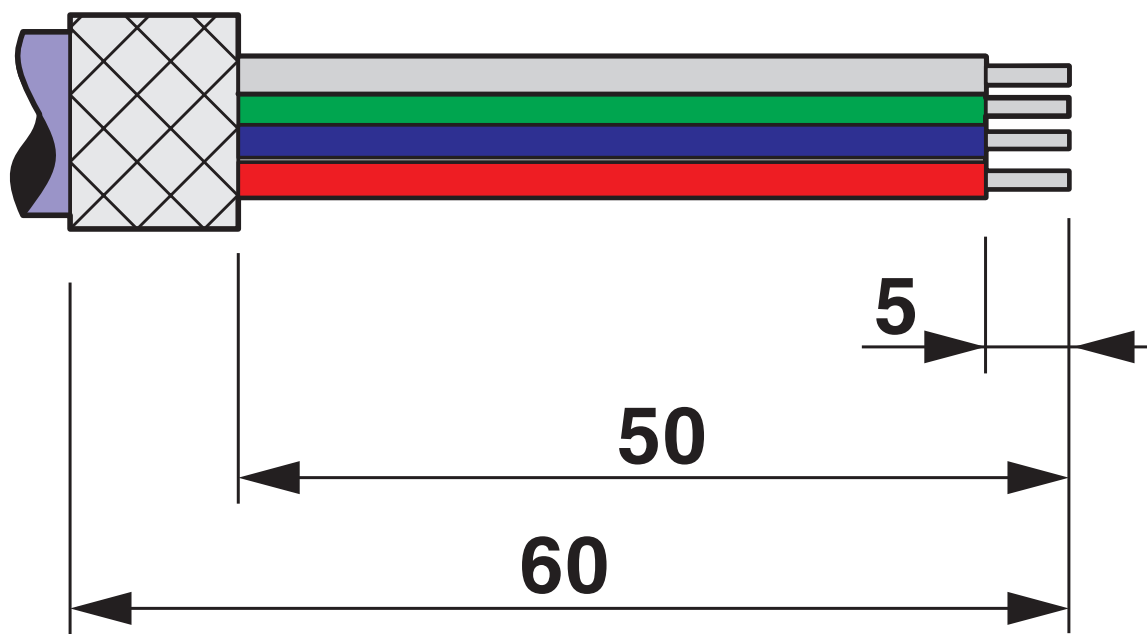
SUBCON-PLUS 9/M - D-SUB bus connector



2744018

<https://www.phoenixcontact.com/us/products/2744018>

Schematic diagram



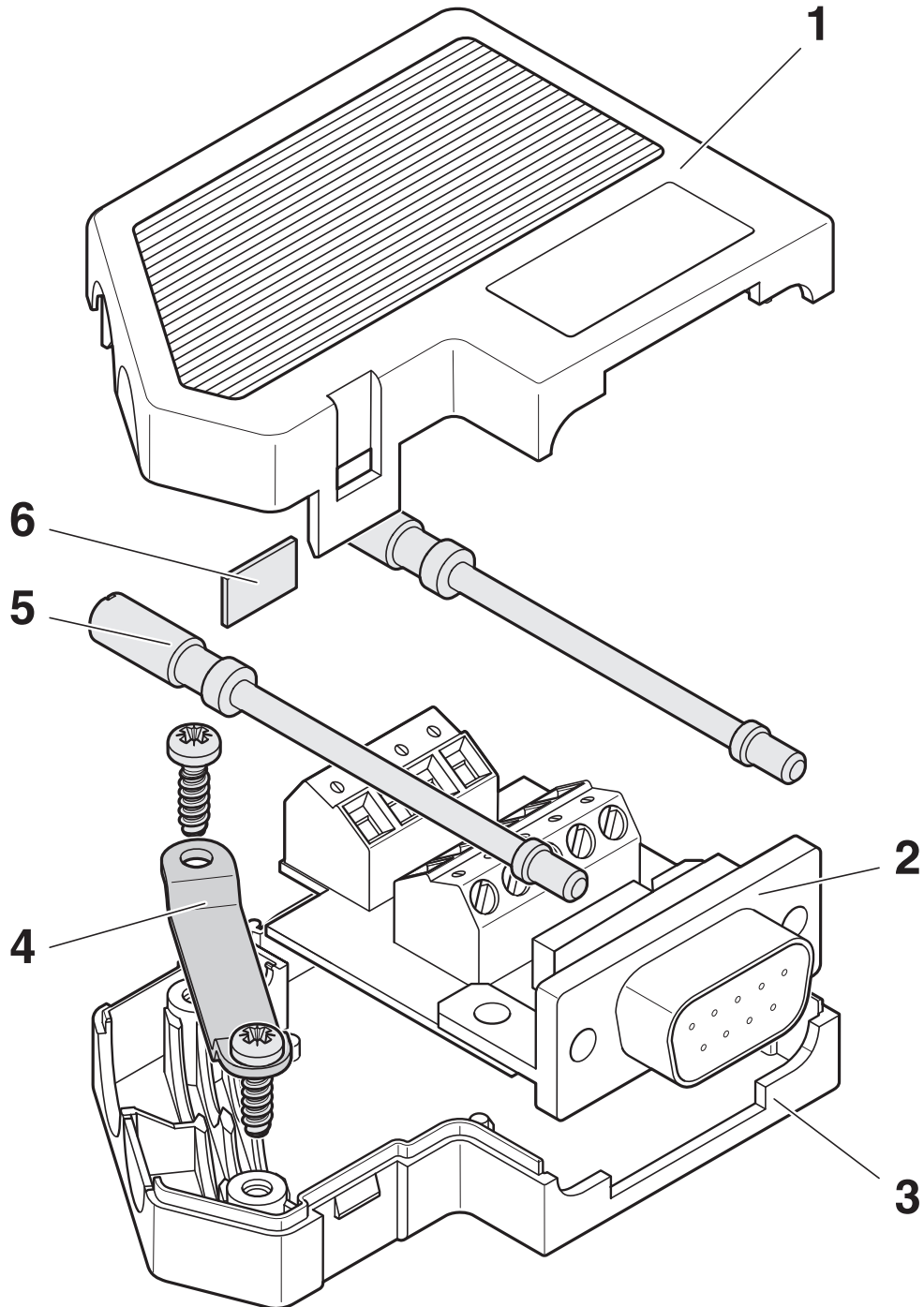
Stripping specifications

SUBCON-PLUS 9/M - D-SUB bus connector

2744018

<https://www.phoenixcontact.com/us/products/2744018>

Schematic diagram



Function elements

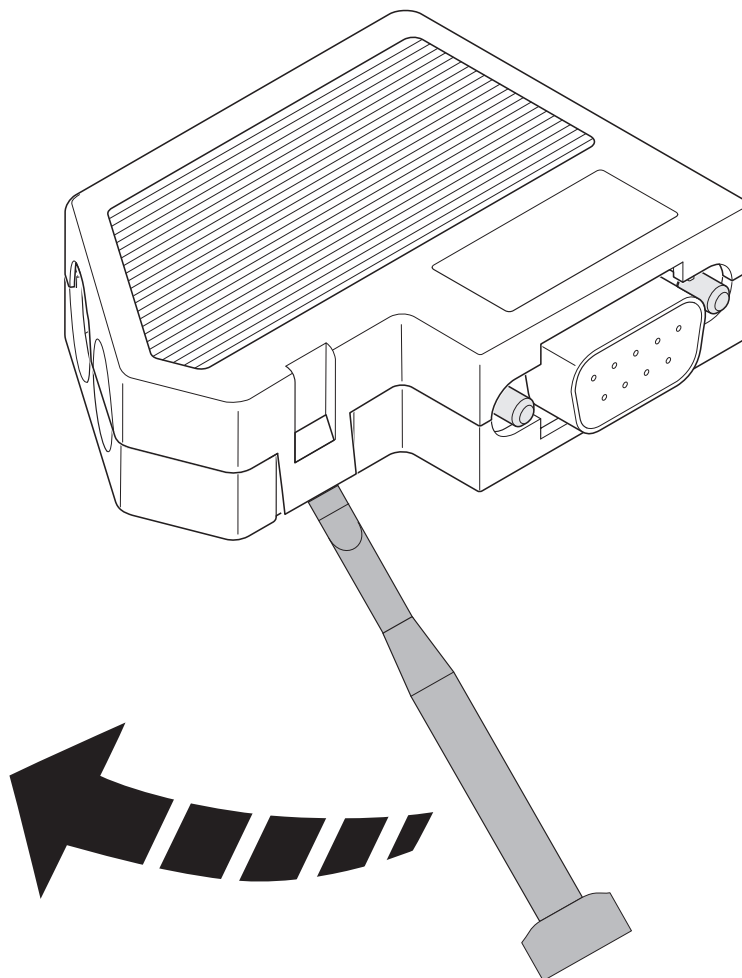
SUBCON-PLUS 9/M - D-SUB bus connector

2744018

<https://www.phoenixcontact.com/us/products/2744018>



Schematic diagram



Opening the housing

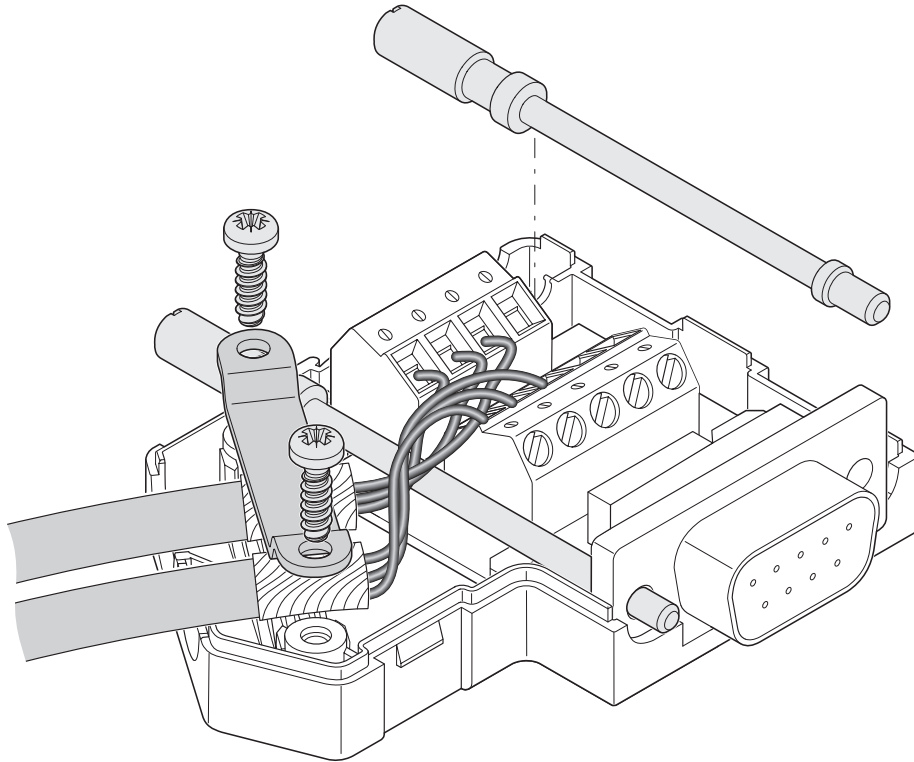
SUBCON-PLUS 9/M - D-SUB bus connector



2744018

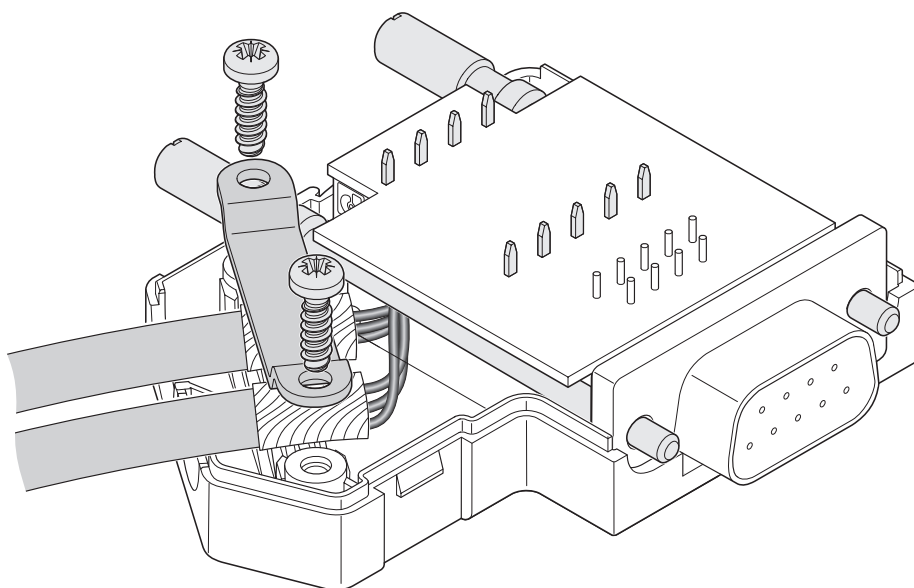
<https://www.phoenixcontact.com/us/products/2744018>

Schematic diagram



Left-hand side cable entry

Schematic diagram



Right-hand side cable entry

SUBCON-PLUS 9/M - D-SUB bus connector

2744018

<https://www.phoenixcontact.com/us/products/2744018>

Schematic diagram



Clip bracket

SUBCON-PLUS 9/M - D-SUB bus connector



2744018

<https://www.phoenixcontact.com/us/products/2744018>

Approvals

To download certificates, visit the product detail page: <https://www.phoenixcontact.com/us/products/2744018>



cULus Recognized
Approval ID: E238705

SUBCON-PLUS 9/M - D-SUB bus connector



2744018

<https://www.phoenixcontact.com/us/products/2744018>

Classifications

ECLASS

ECLASS-13.0	27440302
ECLASS-15.0	27440322

ETIM

ETIM 10.0	EC001132
-----------	----------

UNSPSC

UNSPSC 21.0	39121400
-------------	----------

SUBCON-PLUS 9/M - D-SUB bus connector



2744018

<https://www.phoenixcontact.com/us/products/2744018>

Environmental product compliance

EU RoHS

Fulfills EU RoHS substance requirements	Yes, No exemptions
---	--------------------

China RoHS

Environment friendly use period (EFUP)	EFUP-E
	No hazardous substances above the limits

EU REACH SVHC

REACH candidate substance (CAS No.)	No substance above 0.1 wt%
-------------------------------------	----------------------------

EF3.1 Climate Change

CO2e kg	0.359 kg CO2e
---------	---------------

Phoenix Contact 2026 © - all rights reserved
<https://www.phoenixcontact.com>

Phoenix Contact USA
586 Fulling Mill Road
Middletown, PA 17057, United States
(+717) 944-1300
info@phoenixcon.com