

IB IL 24 BR/DC - Inline terminal

2742036

<https://www.phoenixcontact.com/us/products/2742036>

Please be informed that the data shown in this PDF document is generated from our online catalog. Please find the complete data in the user documentation. Our general terms of use for downloads are valid.



Inline extension module, for brake control in connection with Inline power terminal blocks, brake module for 24 V DC brakes

Your advantages

- Motor current monitoring
- Motor control via OUT process data
- Safe isolation between mains voltage and 24 V supply voltage in accordance with EN 50178
- Diagnostic and status indicators
- Integrated electronic motor protection in accordance with IEC 60947-4
- Connection option for an external passive brake module
- Hand-held operator panel mode

Commercial data

Item number	2742036
Packing unit	1 pc
Note	Made to order (non-returnable)
Sales key	DR01
Product key	DRI172
GTIN	4017918194277
Weight per piece (including packing)	120.3 g
Weight per piece (excluding packing)	91 g
Customs tariff number	85369010
Country of origin	DE

Technical data

Notes

Utilization restriction

EMC note	EMC: class A product, see manufacturer's declaration in the download area
----------	---

Product properties

Product type	Extension module
Product family	Inline
Type	Inline
No. of channels	1

Insulation characteristics

Protection class	III (IEC 61140, EN 61140, VDE 0140-1)
------------------	---------------------------------------

Electrical properties

Switch-on delay	< 2 ms
Test section	24 V supply (U_S), GND, brake control/protective earth ground (PE) 500 V AC 50 Hz 1 min
	24 V supply (U_S), GND, brake control/brake output 500 V AC 50 Hz 1 min
	Brake output/protective earth ground (PE) 500 V AC 50 Hz 1 min

Brake to be connected

Connection name	Connection of the brake to the brake module
Connection method	COMBICON connectors
Cross section	2.5 mm ² (maximum conductor cross-section)
Protective circuit	Polarity reversal protection, surge voltage suppression > 36 V
Contact connection type	Polarized semiconductor switch
Connection voltage	24 V DC
Residual voltage	0.4 V DC (maximum)

Brake module

Connection name	Connection to the power-level terminal block
Connection method	3-pos. COMBICON
Control voltage	24 V DC (= U_S from the power-level terminal block)
Control current	17 mA
Active current limitation	Through resistor

Output data

Residual voltage	0.4 V DC (maximum)
------------------	--------------------

Connection data

Connection method	COMBICON connectors
-------------------	---------------------

Dimensions

Width	55 mm
Height	57 mm
Depth	16 mm

Environmental and real-life conditions

Ambient conditions

Degree of protection	IP20
Ambient temperature (operation)	-25 °C ... 55 °C (permitted)
Ambient temperature (storage/transport)	-25 °C ... 85 °C (permitted)
Permissible humidity (operation)	75 % ... 85 % (75% average, 85% seldom)
Permissible humidity (storage/transport)	75 % ... 85 % (75% average, 85% seldom)
Air pressure (operation)	80 kPa ... 106 kPa (up to 2000 m above sea level)
Air pressure (storage/transport)	70 kPa ... 106 kPa (up to 3000 m above sea level)

Mounting

Mounting type	In the host system
---------------	--------------------

IB IL 24 BR/DC - Inline terminal

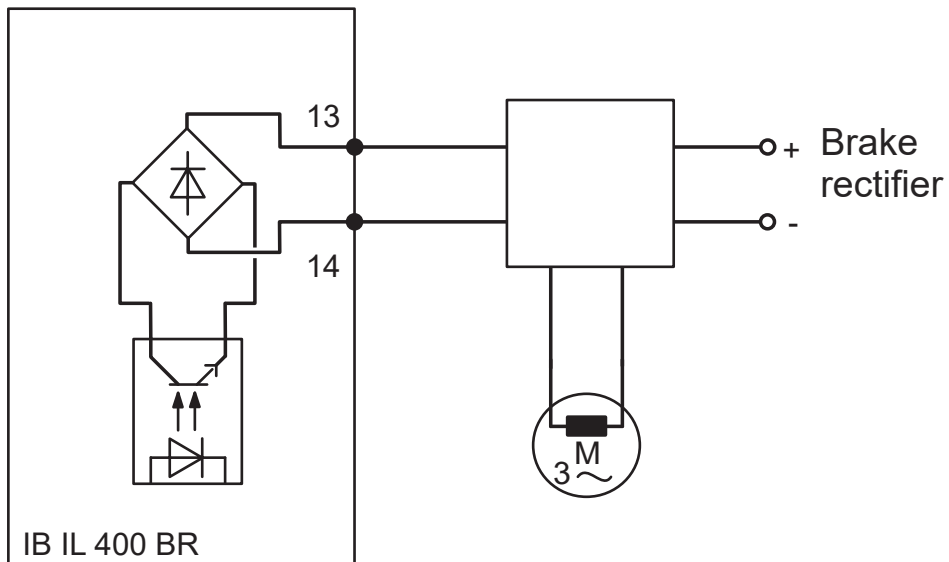
2742036

<https://www.phoenixcontact.com/us/products/2742036>



Drawings

Connection diagram



IB IL 24 BR/DC - Inline terminal



2742036

<https://www.phoenixcontact.com/us/products/2742036>

Environmental product compliance

EU REACH SVHC

REACH candidate substance (CAS No.)	No substance above 0.1 wt%
-------------------------------------	----------------------------

Phoenix Contact 2026 © - all rights reserved

<https://www.phoenixcontact.com>

Phoenix Contact USA
586 Fulling Mill Road
Middletown, PA 17057, United States
(+717) 944-1300
info@phoenixcon.com