

# IBS IL 24 BK RB-LK - Bus coupler

2740300

<https://www.phoenixcontact.com/us/products/2740300>

Please be informed that the data shown in this PDF document is generated from our online catalog. Please find the complete data in the user documentation. Our general terms of use for downloads are valid.



INTERBUS bus coupler, with fiber optic connection and fiber optic remote bus branch, 24 V DC, without accessories

## Product description

With this INTERBUS Inline bus terminal module, a remote bus branch can be opened directly. This makes it possible to extend the INTERBUS network by further system levels. A total of up to 15 levels can be operated in the network. Connection is by way of F-SMA connectors. The standard FO line is used for this connection. A further feature is the optical path diagnostics. The terminals can be labeled using hinged labeling fields. The fields have insert cards that can be labeled individually to suit the application. Additionally, there is the ZBFM -6... Zack strip for labeling the terminal points.

## Commercial data

Item number	2740300
Packing unit	1 pc
Note	Made to order (non-returnable)
Sales key	NULL
Product key	DRI111
GTIN	4017918818586
Weight per piece (including packing)	322.5 g
Weight per piece (excluding packing)	322.5 g
Customs tariff number	85389091
Country of origin	DE

# IBS IL 24 BK RB-LK - Bus coupler



2740300

<https://www.phoenixcontact.com/us/products/2740300>

## Technical data

### Product properties

Type	modular
------	---------

### System properties

#### INTERBUS-Master

Number of devices with parameter channel	63
Number of supported branch terminals with remote bus branch	max. 15

#### Programming data

Length code (hex)	0
ID code (dec.)	12
Length code (dec)	0
Process data channel	0 bit
Input address area	0 Byte
Parameter channel (PCP)	0 Byte
Register length (bus)	0 bit
Register length (master)	8192 bit

### Electrical properties

Protective circuit	Reverse polarity protection
--------------------	-----------------------------

Potentials: Bus coupler supply  $U_{BK}$ ; Communications power  $U_L$  (7.5 V) and the analog supply  $U_{ANA}$  (24 V) are generated from the bus coupler supply.

Supply voltage	24 V DC (via Inline connector)
Supply voltage range	19.2 V DC ... 30 V DC (including all tolerances, including ripple)
Current draw	max. 1.3 A (with max. number of connected I/O terminal blocks) typ. 120 mA (without connected Inline I/O terminals)

#### Potentials: Communications power ( $U_L$ )

Supply voltage	7.5 V DC $\pm 5\%$
Power supply	max. 2 A DC (observe derating)

#### Potentials: Supply of analog modules ( $U_{ANA}$ )

Supply voltage	24 V DC
Supply voltage range	19.2 V DC ... 30 V DC (including all tolerances, including ripple)
Power supply	max. 0.5 A DC (observe derating)

#### Electrical isolation/isolation of the voltage ranges

Test voltage: 7.5 V communications power, 24 V analog supply, 24 V bus coupler supply/functional ground	500 V AC, 50 Hz, 1 min
---	------------------------

### Connection data

Inline connector	
------------------	--

# IBS IL 24 BK RB-LK - Bus coupler



2740300

<https://www.phoenixcontact.com/us/products/2740300>

Connection method	Spring-cage connection
Conductor cross-section, rigid	0.09 mm <sup>2</sup> ... 1.5 mm <sup>2</sup>
Conductor cross-section, flexible	0.09 mm <sup>2</sup> ... 1.5 mm <sup>2</sup>
Conductor cross-section AWG	28 ... 16

## Interfaces

### INTERBUS

No. of channels	3
Connection method	F-SMA connector
Number of positions	2
Transmission speed	500 kbps
Transmission physics	FO

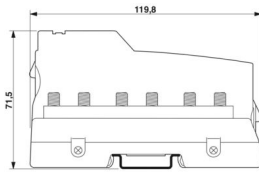
### Inline local bus

Connection method	Inline data jumper
-------------------	--------------------

### Supply

Connection method	8-pos. Inline connector
-------------------	-------------------------

## Dimensions

Dimensional drawing	
Width	85 mm
Height	119.8 mm
Depth	71.5 mm

## Material specifications

Color	green
-------	-------

## Environmental and real-life conditions

### Ambient conditions

Ambient temperature (operation)	-25 °C ... 55 °C
Degree of protection	IP20
Air pressure (operation)	80 kPa ... 106 kPa (up to 3000 m above sea level)
Air pressure (storage/transport)	70 kPa ... 106 kPa (up to 3000 m above sea level)
Ambient temperature (storage/transport)	-25 °C ... 85 °C
Permissible humidity (operation)	75 % ... 85 %
Permissible humidity (storage/transport)	75 % ... 85 %

## Mounting

# IBS IL 24 BK RB-LK - Bus coupler

2740300

<https://www.phoenixcontact.com/us/products/2740300>



Mounting type	DIN rail mounting
---------------	-------------------

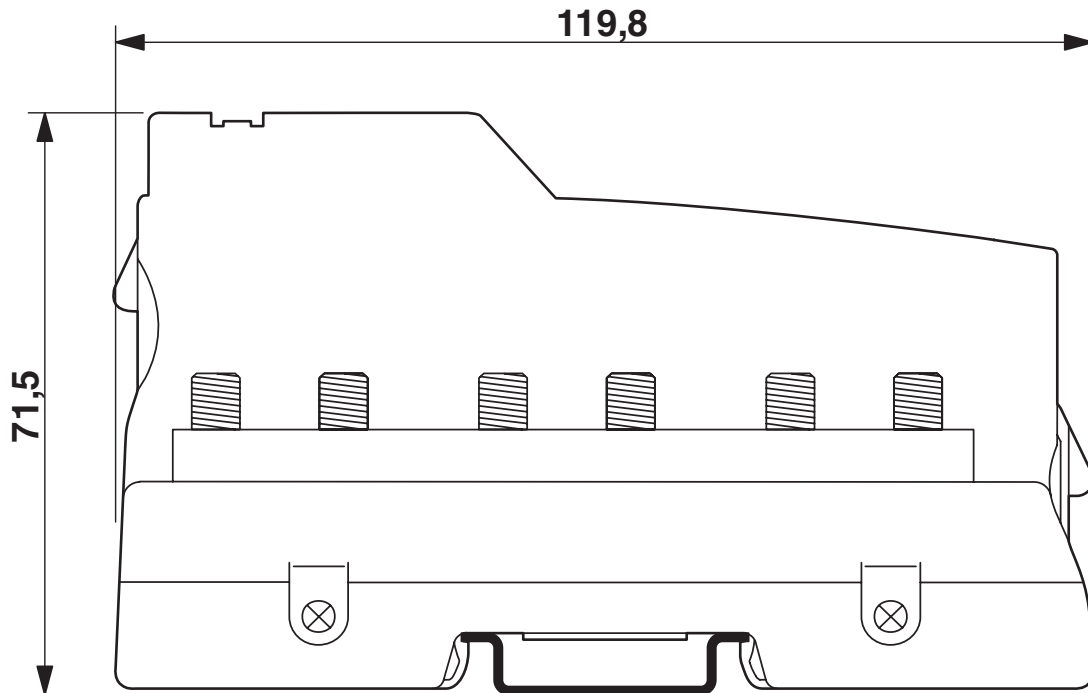
# IBS IL 24 BK RB-LK - Bus coupler

2740300

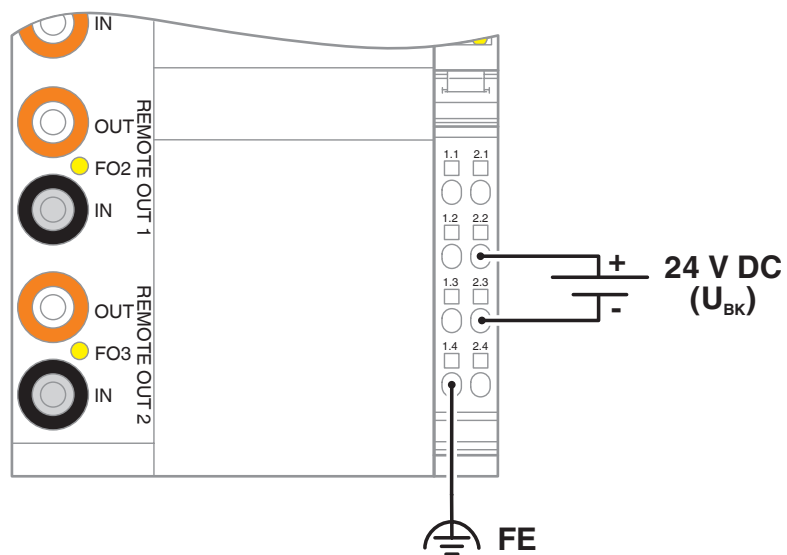
<https://www.phoenixcontact.com/us/products/2740300>

## Drawings

Dimensional drawing



Connection diagram



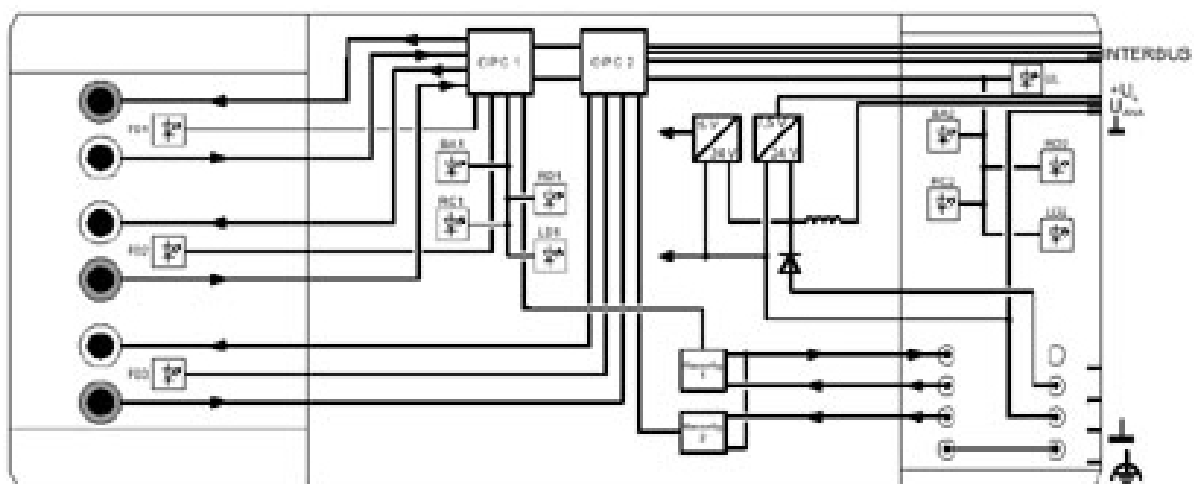
# IBS IL 24 BK RB-LK - Bus coupler

2740300

<https://www.phoenixcontact.com/us/products/2740300>



Block diagram



# IBS IL 24 BK RB-LK - Bus coupler

2740300

<https://www.phoenixcontact.com/us/products/2740300>



## Environmental product compliance

EU REACH SVHC

REACH candidate substance (CAS No.)	
-------------------------------------	--

	No substance above 0.1 wt%
--	----------------------------

Phoenix Contact 2026 © - all rights reserved

<https://www.phoenixcontact.com>

Phoenix Contact USA  
586 Fulling Mill Road  
Middletown, PA 17057, United States  
(+717) 944-1300  
[info@phoenixcon.com](mailto:info@phoenixcon.com)