

FLM DO 8 M8 - Distributed I/O device



2736893

<https://www.phoenixcontact.com/us/products/2736893>

Please be informed that the data shown in this PDF document is generated from our online catalog. Please find the complete data in the user documentation. Our general terms of use for downloads are valid.



The space-saving local bus device is particularly suitable for use in close proximity to the process. Functions: 8 digital outputs each with a load capacity of 500 mA, channel-specific diagnostics, short-circuit and overload protection, M8 connection method.

Product description

The device is designed for use in the Fieldline Modular M8 local bus, which is opened by a Fieldline or Inline bus coupler. It is used to acquire and output digital signals.

Your advantages

- Can also be connected to an Inline station
- Optimized for 30 mm mounting profile
- Short-circuit and overload protection
- Diagnostic and status indicators
- Consistent connection via M8 connectors

Commercial data

Item number	2736893
Packing unit	1 pc
Sales key	DR03
Product key	DRI432
GTIN	4046356470575
Weight per piece (including packing)	168.9 g
Weight per piece (excluding packing)	137 g
Customs tariff number	85176200
Country of origin	DE

FLM DO 8 M8 - Distributed I/O device

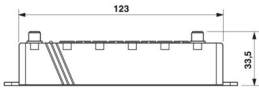


2736893

<https://www.phoenixcontact.com/us/products/2736893>

Technical data

Dimensions

Dimensional drawing	
Width	29.8 mm
Height	143 mm
Depth	26.5 mm
Drill hole spacing	133 mm
Note on dimensions	Length details incl. fixing clips

Material specifications

Color	black
-------	-------

Interfaces

Fieldline local bus

Connection method	M8 connector
Designation connection point	Copper cable
Number of positions	4
Transmission speed	500 kbps

System properties

Programming data (LocalbusSlave)

Length code (hex)	81
ID code (dec.)	177
Length code (dec)	129
Process data channel	8 bit
Input address area	0 bit
Output address area	8 bit
Parameter channel (PCP)	0 bit
Register length (bus)	8 bit

Fieldbus data telegram

Required parameter data	3 Byte
Required configuration data	4 Byte

Output data

Digital:

FLM DO 8 M8 - Distributed I/O device



2736893

<https://www.phoenixcontact.com/us/products/2736893>

Output name	Digital outputs
Connection method	M8 connector
Connection technology	2-, 3-conductor
Number of outputs	8
Protective circuit	Short-circuit protection
Output voltage	24 V DC
Maximum output current per channel	500 mA

Product properties

Product type	I/O component
Product family	Fieldline
Type	modular
No. of channels	8

Electrical properties

Potentials

Voltage supply U_L	24 V DC
----------------------	---------

Supply: Module electronics

Connection method	M8 connector
Designation	U_L
Number of positions	4
Supply voltage	24 V DC
Supply voltage range	18 V DC ... 30 V DC (including ripple)
Supply current	3 A

Electrical isolation/isolation of the voltage ranges

Test voltage: To I/O	500 V AC
----------------------	----------

Connection data

Connection method	M8 connector
-------------------	--------------

Environmental and real-life conditions

Ambient conditions

Ambient temperature (operation)	-25 °C ... 60 °C
Degree of protection	IP65/IP67
Air pressure (operation)	80 kPa ... 106 kPa (up to 2000 m above sea level)
Air pressure (storage/transport)	70 kPa ... 106 kPa (up to 3000 m above sea level)
Ambient temperature (storage/transport)	-25 °C ... 85 °C
Permissible humidity (operation)	5 % ... 95 %
Permissible humidity (storage/transport)	10 % ... 95 %

Standards and regulations

Protection class	III (IEC 61140, EN 61140, VDE 0140-1)
------------------	---------------------------------------

FLM DO 8 M8 - Distributed I/O device

2736893

<https://www.phoenixcontact.com/us/products/2736893>



Mounting

Mounting type

Panel mounting

FLM DO 8 M8 - Distributed I/O device

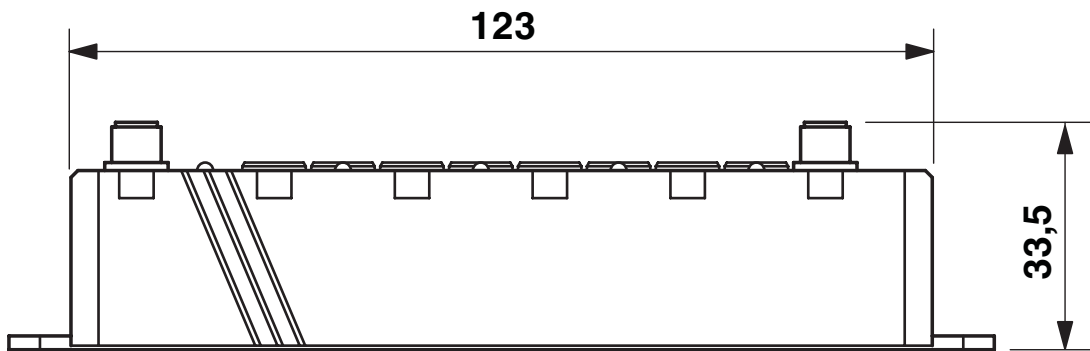


2736893

<https://www.phoenixcontact.com/us/products/2736893>

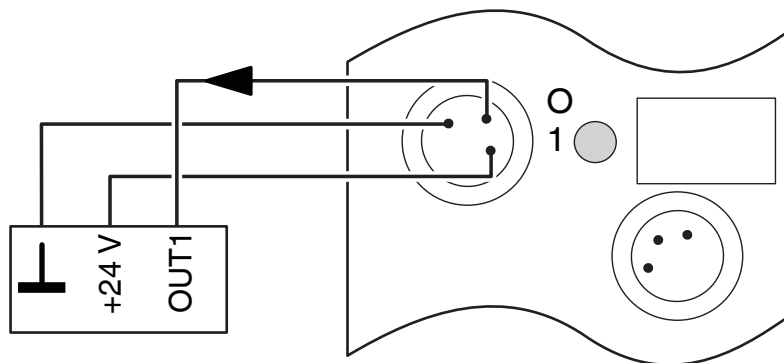
Drawings

Dimensional drawing



Side view (dimensions in mm)

Connection diagram



FLM DO 8 M8 - Distributed I/O device



2736893

<https://www.phoenixcontact.com/us/products/2736893>

Classifications

UNSPSC

UNSPSC 21.0	32151600
-------------	----------

FLM DO 8 M8 - Distributed I/O device



2736893

<https://www.phoenixcontact.com/us/products/2736893>

Environmental product compliance

EU RoHS

Fulfills EU RoHS substance requirements	Yes
Exemption	6(c), 7(a), 7(c)-I

China RoHS

Environment friendly use period (EFUP)	EFUP-50
	An article-related China RoHS declaration table can be found in the download area for the respective article under "Manufacturer declaration". For all articles with EFUP-E, no China RoHS declaration table issued and required.

EU REACH SVHC

REACH candidate substance (CAS No.)	Lead(CAS: 7439-92-1)
-------------------------------------	----------------------

Phoenix Contact 2026 © - all rights reserved
<https://www.phoenixcontact.com>

Phoenix Contact USA
586 Fulling Mill Road
Middletown, PA 17057, United States
(+717) 944-1300
info@phoenixcon.com