

FLM BT BS 3 - Wireless module



2736770

<https://www.phoenixcontact.com/us/products/2736770>

Please be informed that the data shown in this PDF document is generated from our online catalog. Please find the complete data in the user documentation. Our general terms of use for downloads are valid.



Wireless IO base station for up to three Wireless IO devices, Bluetooth V1.2, 2.4 GHz frequency band; 1 wireless interface; WLAN-BlackChannelList; LEM; Fieldline Modular M12 local bus connection

Product description

The products are offered exclusively for export outside the EU and the European Economic Area.

Your advantages

- WLAN coexistence functions AFH, LEM, black channel listing
- Parallel operation of numerous Bluetooth systems
- Quick and easy startup
- Extremely rugged and reliable

Commercial data

Item number	2736770
Packing unit	1 pc
Note	Made to order (non-returnable)
Sales key	DN26
Product key	DNC663
GTIN	4046356042673
Weight per piece (including packing)	320.5 g
Weight per piece (excluding packing)	264.84 g
Customs tariff number	85176200
Country of origin	DE

Technical data

Notes

Utilization restriction

EMC note	EMC: class A product, see manufacturer's declaration in the download area
----------	---

Product properties

Product type	Wireless module
Product family	Fieldline
Type	modular
MTBF	554 Years (Telcordia standard, 25°C temperature, 21% operating cycle (5 days a week, 8 hours a day)) 185 Years (Telcordia standard, 40°C temperature, 34.25% operating cycle (5 days a week, 12 hours a day))

System properties

Programming data

Length code (hex)	0C
ID code (dec.)	191
Process data channel	max. 24 Byte
Input address area	max. 24 Byte
Output address area	max. 24 Byte
Parameter channel (PCP)	0 Byte
Register length (bus)	max. 24 Byte

Fieldbus data telegram

Required parameter data	24 Byte
-------------------------	---------

Electrical properties

Maximum power dissipation for nominal condition	2.4 W
---	-------

Supply: Module electronics

Connection method	M12 circular connector
Supply voltage	24 V DC
Supply voltage range	19.2 V DC ... 30 V DC (including ripple)
Supply current	< 100 mA

Interfaces

Fieldline Modular local bus

Connection method	M12 connector, B-coded
Transmission speed	500 kBaud / 2 MBaud (data rate can be changed via pin 5 (voltage supply ULS))
Transmission physics	Copper

FLM BT BS 3 - Wireless module



2736770

<https://www.phoenixcontact.com/us/products/2736770>

Address area assignment	3 ... 12 words, variable, depending on type and number of wireless modules connected
-------------------------	--

Antenna

Number	1
Connection method	SMA (male)

Functions

Wireless licenses	Europe, additional countries in the e-shop
Country support	Australia (Special rule: Please contact the Product Manager)
	Canada
	Russia (Special rule: Please contact the Product Manager)
	Switzerland
	Singapore
	Turkey
	USA

Wireless

Designation	Bluetooth
Antenna connection method	SMA (female)
Frequency range	2.402 GHz ... 2.48 GHz (ISM bandwidth)
Wireless standard	Bluetooth 1.2
Transmission power	8 dBm (can be set between 0 dBm and 14 dBm, in 4 dB increments)
Receiver sensitivity	-88.00 dBm
Wireless modules that can be connected	up to 3 (2736767 FLM BT DIO 8/8 M12, 2693208 FLM BT DI 16 M12, 2884282 ILB BT ADIO 2/2/16/16)

Dimensions

Dimensional drawing	
Width	70.5 mm
Height	178.5 mm
Depth	50 mm
Drill hole spacing	168 mm

Material specifications

Color (Housing)	anthracite gray (RAL 7016)
-----------------	----------------------------

Mechanical properties

FLM BT BS 3 - Wireless module



2736770

<https://www.phoenixcontact.com/us/products/2736770>

Technical data

Drill hole spacing	168 mm
--------------------	--------

Environmental and real-life conditions

Ambient conditions

Degree of protection	IP65
Ambient temperature (operation)	-25 °C ... 60 °C
Air pressure (operation)	795 hPa ... 1080 hPa (up to 2000 m above sea level)
Permissible humidity (operation)	95 %

Mechanical test

Shock in accordance with EN 60068-2-27/IEC 60068-2-27	25g
Vibration resistance in accordance with EN 60068-2-6/IEC 60068-2-6	5g

Standards and regulations

Protection class	III (IEC 61140, EN 61140, VDE 0140-1)
------------------	---------------------------------------

Mounting

Mounting type	Panel mounting, optionally on mounting panel
	Panel mounting
Assembly note	OMNI antenna is included

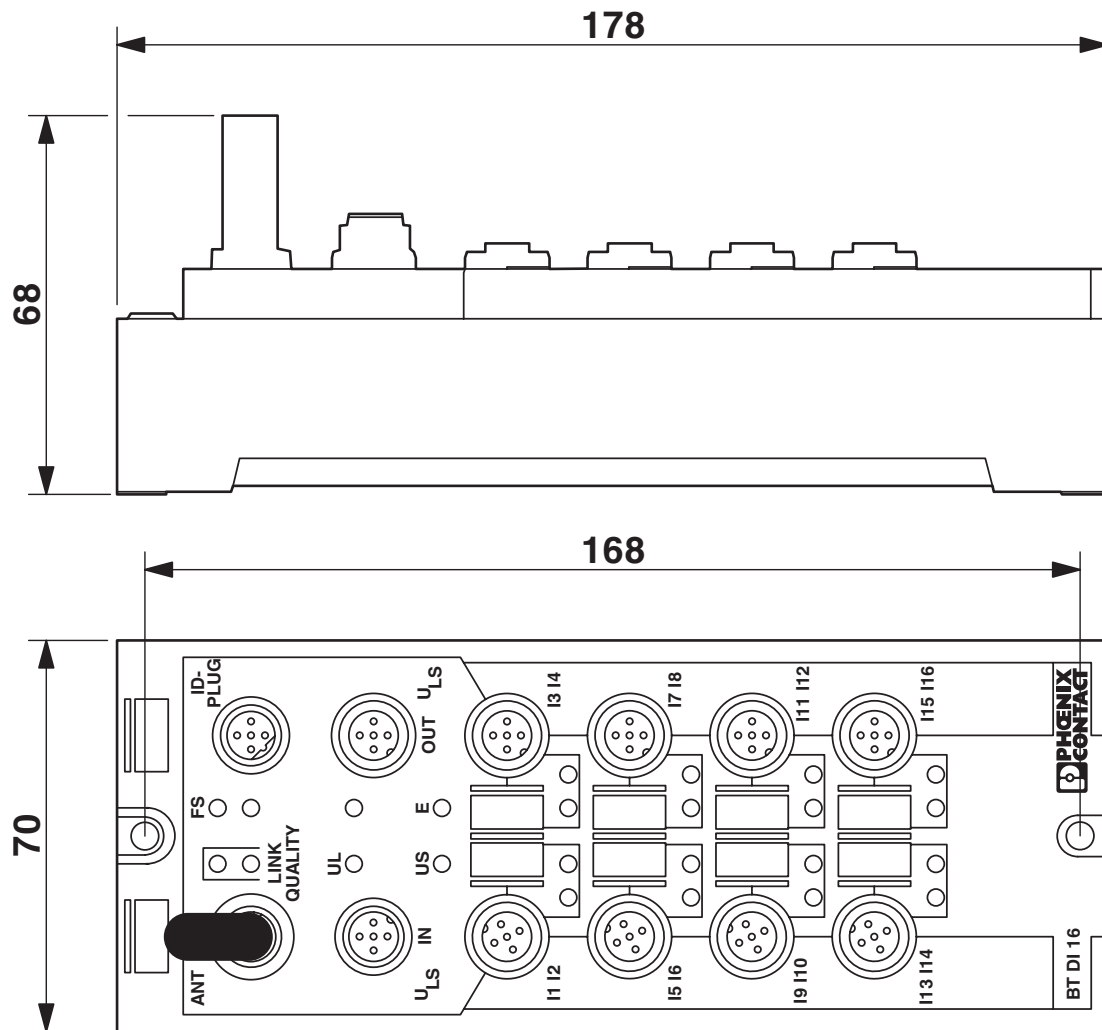
FLM BT BS 3 - Wireless module

2736770

<https://www.phoenixcontact.com/us/products/2736770>

Drawings

Dimensional drawing

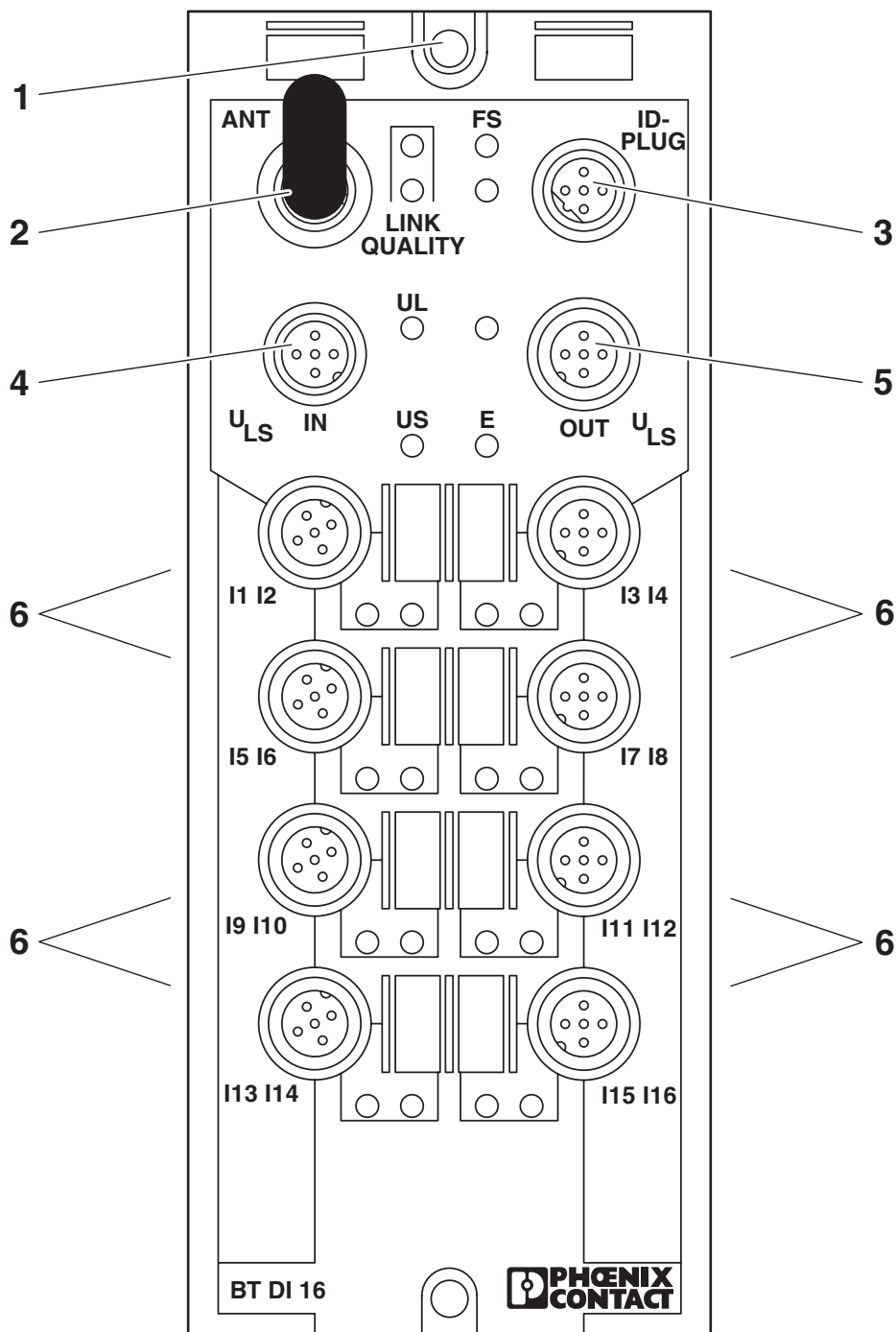


FLM BT BS 3 - Wireless module

2736770

<https://www.phoenixcontact.com/us/products/2736770>

Product drawing



- 1 FG: Functional ground
- 2 ANT: Antenna
- 3 ID PLUG: ID PLUG connection
- 4 ULS IN: Voltage supply ULS IN
- 5 ULS OUT: Voltage supply ULS OUT
- 6 IN: Inputs (1-16)

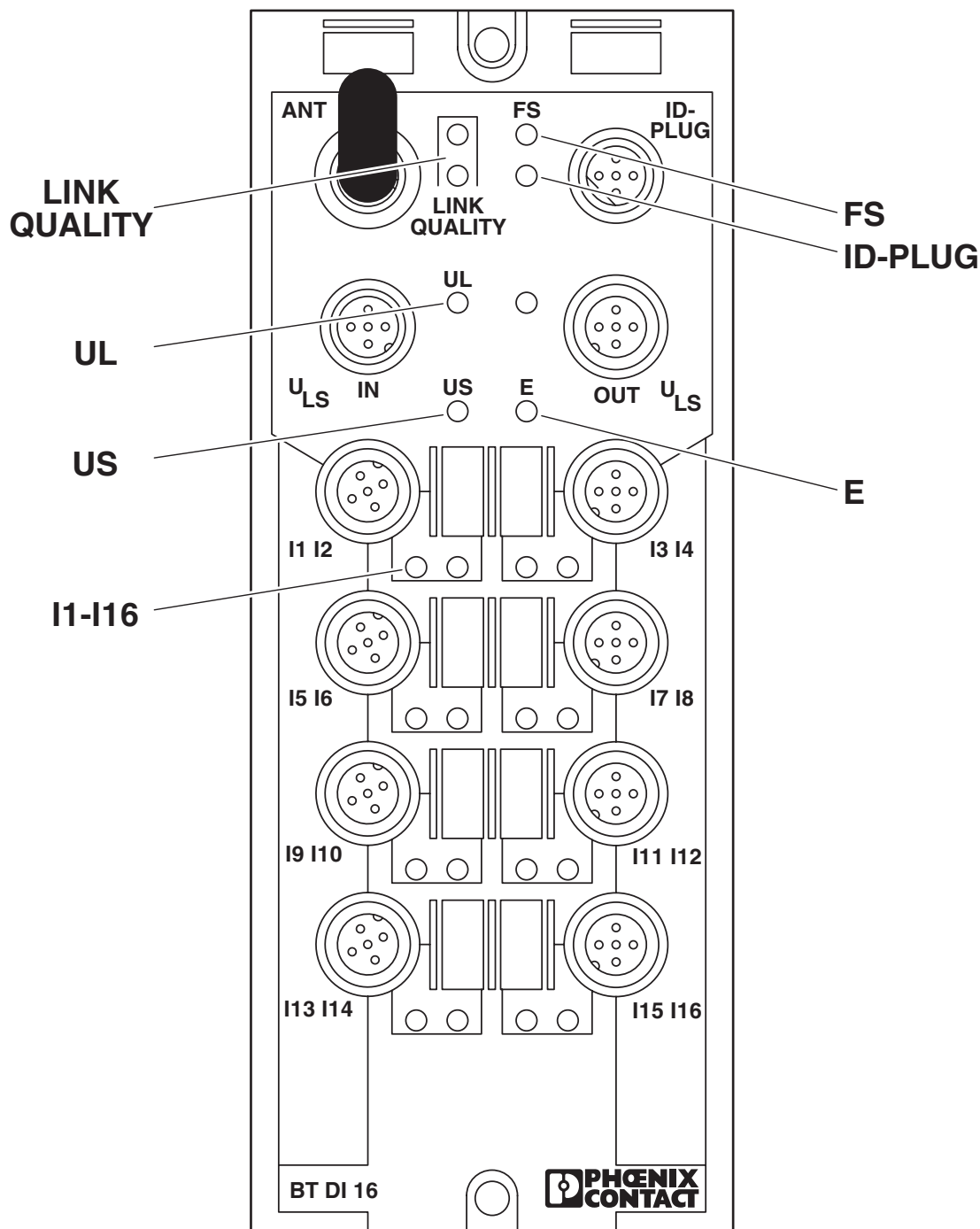
FLM BT BS 3 - Wireless module



2736770

<https://www.phoenixcontact.com/us/products/2736770>

Product drawing



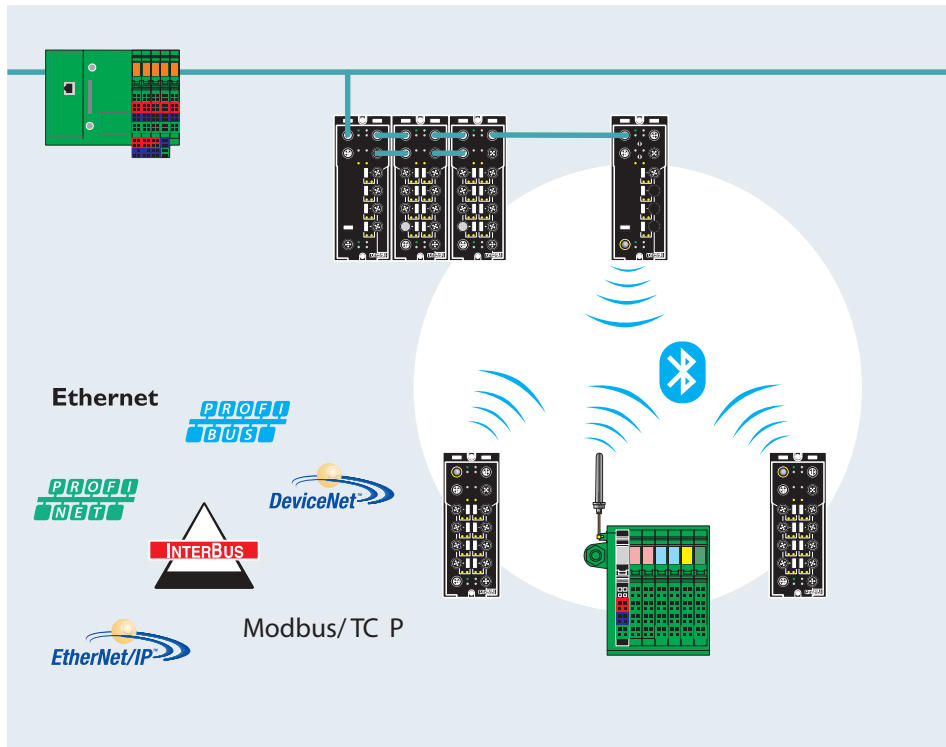
- LINK QUALITY: Green/yellow
- Quality of Bluetooth
- FS connection: Red
- Failure state ID-PLUG: Green/yellow/red
- ID-PLUG UL status: Green
- US communications power: Green
- E sensor supply: Red
- Short-circuit/overload of sensor supply I1-I16: Yellow
- Status of the inputs

FLM BT BS 3 - Wireless module

2736770

<https://www.phoenixcontact.com/us/products/2736770>

Application drawing



Possible areas of application

The Fieldline Modular wireless IO system is particularly suitable for use in moving, temporarily installed or inaccessible machine units in all industrial areas, when time-critical process signals are to be transmitted.

- Fast data transmission in typ. 10 ms per module
- Short range* of 20 to 50 m in industrial halls and more than 100 m outdoors.

* The range may be considerably above or below that stated, and depends on the environment, antenna technology and the product used.

FLM BT BS 3 - Wireless module



2736770

<https://www.phoenixcontact.com/us/products/2736770>

Environmental product compliance

China RoHS

Environment friendly use period (EFUP)	EFUP-E
	No hazardous substances above the limits

EU REACH SVHC

REACH candidate substance (CAS No.)	No substance above 0.1 wt%
-------------------------------------	----------------------------

Phoenix Contact 2026 © - all rights reserved
<https://www.phoenixcontact.com>

Phoenix Contact USA
586 Fulling Mill Road
Middletown, PA 17057, United States
(+717) 944-1300
info@phoenixcon.com