

# FLM AO 4 SF M12 - Distributed I/O device



2736466

<https://www.phoenixcontact.com/us/products/2736466>

Please be informed that the data shown in this PDF document is generated from our online catalog. Please find the complete data in the user documentation. Our general terms of use for downloads are valid.



The local bus device has 4 analog outputs. Functions: 2 current and 4 voltage output ranges, 500 kbaud/2 Mbaud selection, PCP or process data communication, channel-specific diagnostics, short-circuit/overload protection, M12 fast connection technology.

## Your advantages

- Flexible power supply concept
- SPEEDCON fast locking system
- Diagnostic and status indicators
- Short-circuit and overload protection
- Consistent connection via M12 connectors

## Commercial data

Item number	2736466
Packing unit	1 pc
Sales key	DR03
Product key	DRI442
GTIN	4017918974251
Weight per piece (including packing)	336.2 g
Weight per piece (excluding packing)	280 g
Customs tariff number	85176200
Country of origin	DE

# FLM AO 4 SF M12 - Distributed I/O device

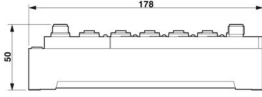


2736466

<https://www.phoenixcontact.com/us/products/2736466>

## Technical data

### Dimensions

Dimensional drawing	
Width	70 mm
Height	178 mm
Depth	50 mm
Drill hole spacing	168 mm

### Interfaces

#### Fieldline local bus

Connection method	M12 connector, B-coded
Transmission speed	500 kbps / 2 Mbps

### System properties

#### Programming data (LocalbusSlave)

Length code (hex)	05
ID code (dec.)	223
Length code (dec)	05
Process data channel	10 Byte
Input address area	10 Byte
Output address area	10 Byte
Parameter channel (PCP)	2 Byte
Register length (bus)	12 Byte

#### Fieldbus data telegram

Required parameter data	23 Byte
Required configuration data	5 Byte

### Output data

#### Analog:

Output name	Analog outputs
Connection method	M12 connector
Connection technology	2-, 4-conductor
Number of outputs	4
Protective circuit	Short-circuit protection
Current output signal	0 mA ... 20 mA

# FLM AO 4 SF M12 - Distributed I/O device



2736466

<https://www.phoenixcontact.com/us/products/2736466>

	4 mA ... 20 mA
Voltage output signal	0 V ... 5 V
	-5 V ... 5 V
	0 V ... 10 V
	-10 V ... 10 V

## Product properties

Product type	I/O component
Type	modular

## Electrical properties

### Potentials

Voltage supply $U_L$	24 V DC (including ripple)
Power supply at $U_L$	max. 4 A
Current consumption from $U_L$	max. 100 mA (At 2 Mbaud)
	typ. 70 mA
Voltage supply $U_S$	24 V DC
Power supply at $U_S$	max. 4 A
Current consumption from $U_S$	typ. 5 mA (plus power supply for sensors)
	max. 400 mA

### Supply: Module electronics

Supply voltage	24 V DC
Supply voltage range	18 V DC ... 30 V DC (including ripple)

### Electrical isolation/isolation of the voltage ranges

Test voltage: To I/O	500 V AC
----------------------	----------

## Connection data

Connection method	M12 connector
-------------------	---------------

## Environmental and real-life conditions

### Ambient conditions

Ambient temperature (operation)	-25 °C ... 60 °C
Degree of protection	IP65/IP67
Air pressure (operation)	80 Pa ... 106 kPa (up to 2000 m above sea level)
Air pressure (storage/transport)	70 kPa ... 106 kPa (up to 3000 m above sea level)
Ambient temperature (storage/transport)	-25 °C ... 85 °C
Permissible humidity (operation)	95 %
Permissible humidity (storage/transport)	95 %

## Standards and regulations

Protection class	III (IEC 61140, EN 61140, VDE 0140-1)
------------------	---------------------------------------

## Mounting

# FLM AO 4 SF M12 - Distributed I/O device



2736466

<https://www.phoenixcontact.com/us/products/2736466>

---

Mounting type	Panel mounting
---------------	----------------

# FLM AO 4 SF M12 - Distributed I/O device

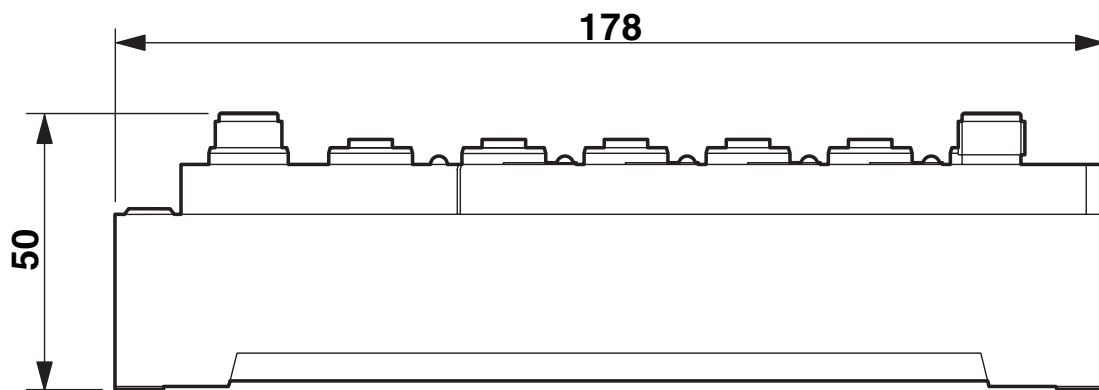


2736466

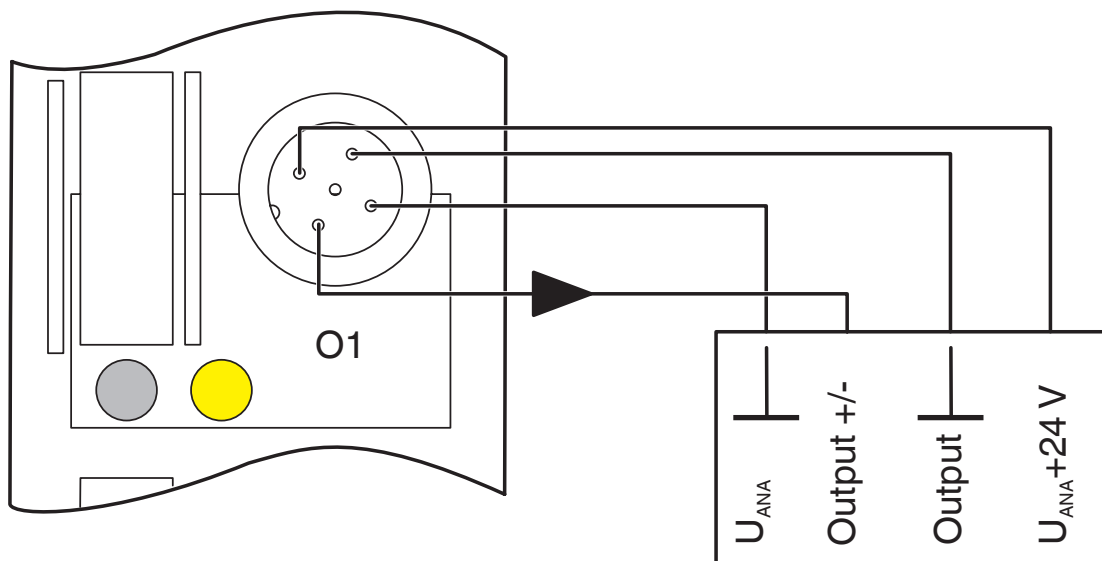
<https://www.phoenixcontact.com/us/products/2736466>

## Drawings

Dimensional drawing



Connection diagram



# FLM AO 4 SF M12 - Distributed I/O device



2736466

<https://www.phoenixcontact.com/us/products/2736466>

## Classifications

### UNSPSC

UNSPSC 21.0	32151600
-------------	----------

# FLM AO 4 SF M12 - Distributed I/O device



2736466

<https://www.phoenixcontact.com/us/products/2736466>

## Environmental product compliance

### EU RoHS

Fulfills EU RoHS substance requirements	Yes
Exemption	6(c), 7(a), 7(c)-I

### China RoHS

Environment friendly use period (EFUP)	EFUP-E
	No hazardous substances above the limits

### EU REACH SVHC

REACH candidate substance (CAS No.)	Lead(CAS: 7439-92-1)
-------------------------------------	----------------------

Phoenix Contact 2026 © - all rights reserved

<https://www.phoenixcontact.com>

Phoenix Contact USA  
586 Fulling Mill Road  
Middletown, PA 17057, United States  
(+717) 944-1300  
[info@phoenixcon.com](mailto:info@phoenixcon.com)