

# FLS PB M12 DIO 8/8 M12 - Distributed I/O device



2736372

<https://www.phoenixcontact.com/us/products/2736372>

Please be informed that the data shown in this PDF document is generated from our online catalog. Please find the complete data in the user documentation. Our general terms of use for downloads are valid.



The stand-alone device for PROFIBUS has 8 digital inputs and 8 digital outputs each with a load capacity of 500 mA. The M12 connection is established using fast connection technology. The 24 V DC supply is protected against short circuit and overload.

## Your advantages

- Directly accessible address encoding switch
- Consistent connection via M12 connectors
- Short-circuit and overload protection
- Diagnostic and status indicators
- SPEEDCON fast locking system
- Flexible power supply concept

## Commercial data


Item number	2736372
Packing unit	1 pc
Note	Made to order (non-returnable)
Sales key	DR03
Product key	DRI4A2
GTIN	4017918939199
Weight per piece (including packing)	379.4 g
Weight per piece (excluding packing)	340 g
Customs tariff number	85389099
Country of origin	DE

2736372

<https://www.phoenixcontact.com/us/products/2736372>

## Technical data

### Dimensions

Dimensional drawing	
Width	60 mm
Height	178 mm
Depth	49.3 mm
Drill hole spacing	168 mm

### Interfaces

#### PROFIBUS DP

Connection method	2x M12 connectors, B-coded
Designation connection point	Copper cable
Number of positions	5
Transmission speed	9.6 kbps ... 12 Mbps (Automatic baud rate detection)
Transmission physics	PROFIBUS-DP-compliant copper cable
Address area assignment	1 ... 99, can be set

### System properties

#### System limits

Number of local bus devices that can be connected	0
Number of devices with parameter channel	0

#### Programming data

Input address area	8 bit
Output address area	8 bit
Parameter channel (PCP)	0 bit
Register length (bus)	8 bit

### Input data

#### Digital:

Input name	Digital inputs
Description of the input	IEC 61131-2 type 1
Number of inputs	8
Connection method	M12 connector double occupancy
Connection technology	2-, 3-, 4-conductor
Input voltage	24 V DC
Input voltage range "0" signal	-30 V DC ... 5 V DC

# FLS PB M12 DIO 8/8 M12 - Distributed I/O device



2736372

<https://www.phoenixcontact.com/us/products/2736372>

Input voltage range "1" signal	13 V DC ... 30 V DC
Nominal input voltage $U_{IN}$	24 V DC
Total sensor current	max. 600 mA
Filter time	3 ms
Protective circuit	Reverse polarity protection

## Output data

Digital:

Output name	Digital outputs
Connection method	M12 connector double occupancy
Connection technology	2-, 3-conductor
Number of outputs	8
Protective circuit	Short-circuit protection
Output voltage	24 V DC
Maximum output current per channel	500 mA

## Product properties

Product type	I/O component
Product family	Fieldline
Type	Block design
No. of channels	16

## Electrical properties

Potentials

Voltage supply $U_L$	24 V DC
Power supply at $U_L$	max. 4 A
Current consumption from $U_L$	typ. 40 mA max. 100 mA
Voltage supply $U_S$	24 V DC
Power supply at $U_S$	max. 4 A
Current consumption from $U_S$	typ. 10 mA (plus sensor current) max. 500 mA
Voltage supply $U_{A11}$	24 V DC
Power supply at $U_{A11}$	max. 4 A
Current consumption at $U_{A11}$	typ. 6 mA (plus actuator current) max. 4 A
Voltage supply $U_{A12}$	24 V DC
Power supply at $U_{A12}$	max. 4 A
Current consumption at $U_{A12}$	typ. 6 mA (plus actuator current) max. 4 A

Supply: Module electronics

Connection method	M12 connector, A-coded
Designation	$U_L$

# FLS PB M12 DIO 8/8 M12 - Distributed I/O device



2736372

<https://www.phoenixcontact.com/us/products/2736372>

Supply voltage	24 V DC
Supply voltage range	18 V DC ... 30 V DC (including ripple)

## Electrical isolation/isolation of the voltage ranges

Test voltage: To I/O	500 V AC
----------------------	----------

## Connection data

Connection method	M12 connector
-------------------	---------------

## Environmental and real-life conditions

### Ambient conditions

Ambient temperature (operation)	-25 °C ... 60 °C
Degree of protection	IP65/IP67
Air pressure (operation)	80 kPa ... 106 kPa (up to 2000 m above sea level)
Air pressure (storage/transport)	70 kPa ... 106 kPa (up to 3000 m above sea level)
Ambient temperature (storage/transport)	-25 °C ... 85 °C
Permissible humidity (storage/transport)	95 %

## Standards and regulations

Protection class	III (IEC 61140, EN 61140, VDE 0140-1)
------------------	---------------------------------------

## Mounting

Mounting type	Panel mounting
---------------	----------------

# FLS PB M12 DIO 8/8 M12 - Distributed I/O device

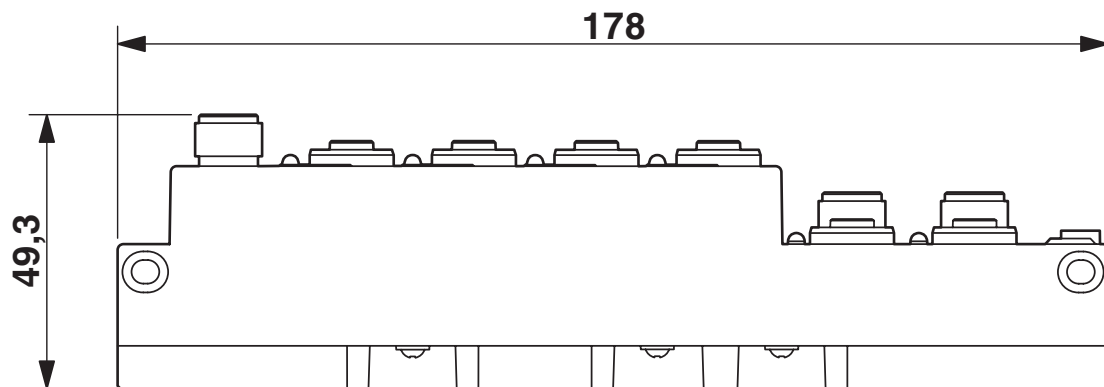


2736372

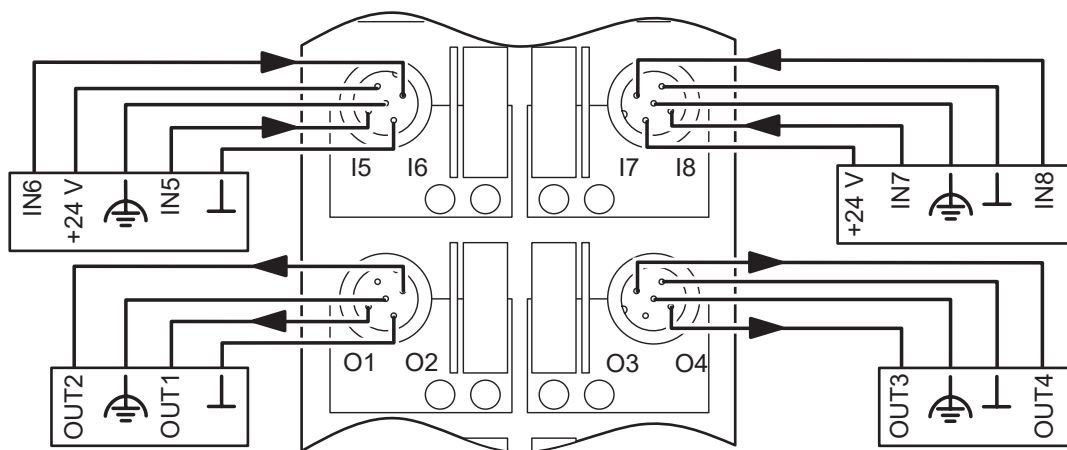
<https://www.phoenixcontact.com/us/products/2736372>

## Drawings

Dimensional drawing



Connection diagram

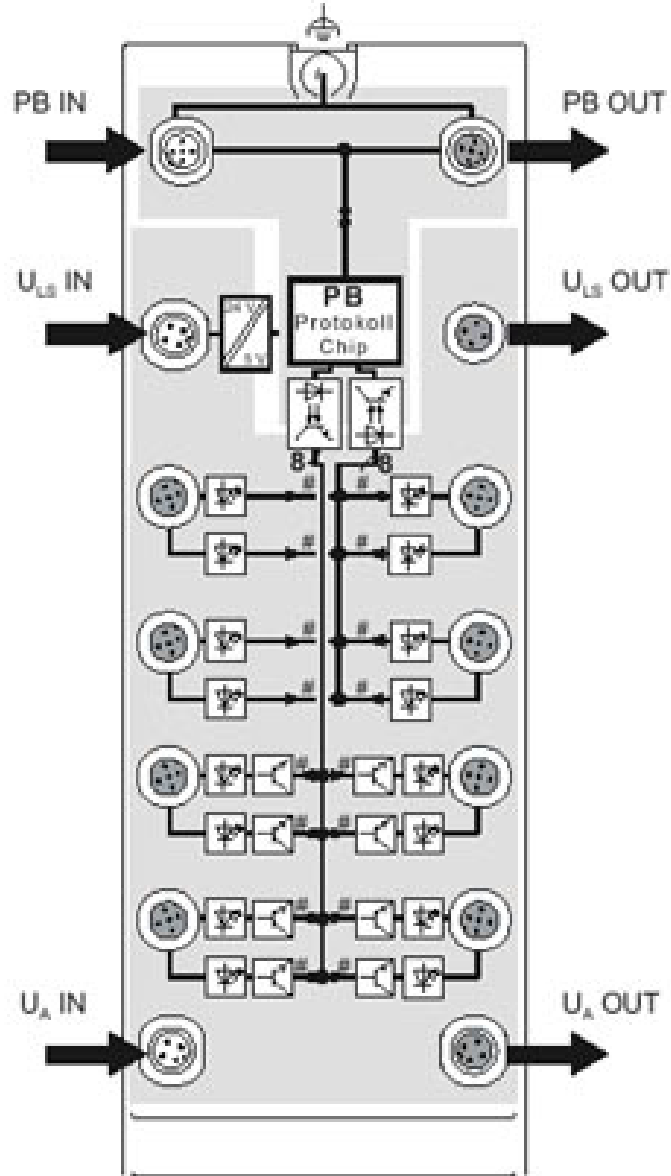


# FLS PB M12 DIO 8/8 M12 - Distributed I/O device

2736372

<https://www.phoenixcontact.com/us/products/2736372>

Block diagram



# FLS PB M12 DIO 8/8 M12 - Distributed I/O device



2736372

<https://www.phoenixcontact.com/us/products/2736372>

## Classifications

### UNSPSC

UNSPSC 21.0	32151602
-------------	----------

2736372

<https://www.phoenixcontact.com/us/products/2736372>

## Environmental product compliance

### EU RoHS

Fulfills EU RoHS substance requirements	Yes
Exemption	6(c), 7(a), 7(c)-I

### China RoHS

Environment friendly use period (EFUP)	EFUP-E
	No hazardous substances above the limits

### EU REACH SVHC

REACH candidate substance (CAS No.)	No substance above 0.1 wt%
-------------------------------------	----------------------------

Phoenix Contact 2026 © - all rights reserved

<https://www.phoenixcontact.com>

Phoenix Contact USA  
586 Fulling Mill Road  
Middletown, PA 17057, United States  
(+717) 944-1300  
[info@phoenixcon.com](mailto:info@phoenixcon.com)