

FLM DIO 4/4 M12-2A - Distributed I/O device



2736369

<https://www.phoenixcontact.com/us/products/2736369>

Please be informed that the data shown in this PDF document is generated from our online catalog. Please find the complete data in the user documentation. Our general terms of use for downloads are valid.



The local bus device has digital inputs and outputs. Functions: 4 digital inputs, 3 ms filter time, 4 digital outputs of 2 A each, 500 kbaud/2 Mbaud selection, channel-specific diagnostics, short-circuit and overload protection, M12 fast connection technology.

Your advantages

- Flexible power supply concept
- Short-circuit and overload protection
- Diagnostic and status indicators
- SPEEDCON fast locking system
- Consistent connection via M12 connectors

Commercial data

Item number	2736369
Packing unit	1 pc
Sales key	DR03
Product key	DRI434
GTIN	4017918951078
Weight per piece (including packing)	367.4 g
Weight per piece (excluding packing)	315 g
Customs tariff number	85389099
Country of origin	DE

FLM DIO 4/4 M12-2A - Distributed I/O device

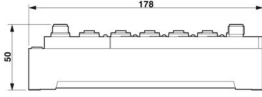


2736369

<https://www.phoenixcontact.com/us/products/2736369>

Technical data

Dimensions

Dimensional drawing	
Width	70 mm
Height	178 mm
Depth	50 mm
Drill hole spacing	168 mm

Interfaces

Fieldline local bus

Connection method	M12 connector, B-coded
Designation connection point	Copper cable
Number of positions	5
Transmission speed	500 kbps / 2 Mbps (can be switched)

System properties

Programming data (LocalbusSlave)

Length code (hex)	41
ID code (dec.)	191
Process data channel	4 bit
Input address area	4 bit
Output address area	4 bit
Parameter channel (PCP)	0 Byte
Register length (bus)	4 bit

Fieldbus data telegram

Required parameter data	3 Byte
Required configuration data	5 Byte

Input data

Digital:

Input name	Digital inputs
Description of the input	IEC 61131-2 type 1
Number of inputs	4
Connection method	M12 connector
Connection technology	2-, 3-, 4-conductor

FLM DIO 4/4 M12-2A - Distributed I/O device



2736369

<https://www.phoenixcontact.com/us/products/2736369>

Input voltage	24 V DC
Input voltage range "0" signal	-30 V DC ... 5 V DC
Input voltage range "1" signal	13 V DC ... 30 V DC
Nominal input voltage U_{IN}	24 V DC
Filter time	3 ms
Protective circuit	Reverse polarity protection

Output data

Digital:

Output name	Digital outputs
Connection method	M12 connector
Connection technology	2-, 3-conductor
Number of outputs	4
Protective circuit	Short-circuit protection
Output voltage	24 V DC
Maximum output current per channel	2 A

Product properties

Product type	I/O component
Product family	Fieldline
Type	modular
No. of channels	8

Electrical properties

Potentials

Voltage supply U_L	24 V DC
Power supply at U_L	max. 4 A
Current consumption from U_L	max. 50 mA (At 2 Mbaud)
	typ. 45 mA (At 2 Mbaud)
	max. 50 mA (At 500 kBaud)
	typ. 40 mA (At 500 kBaud)
Voltage supply U_S	24 V DC
Power supply at U_S	max. 4 A
Current consumption from U_S	typ. 5 mA (plus power supply for sensors)
	max. 600 mA
Voltage supply U_{A11}	24 V DC
Power supply at U_{A11}	max. 4 A
Current consumption at U_{A11}	typ. 3 mA
	max. 4 A
Voltage supply U_{A12}	24 V DC
Power supply at U_{A12}	max. 4 A
Current consumption at U_{A12}	typ. 3 mA
	max. 4 A

FLM DIO 4/4 M12-2A - Distributed I/O device



2736369

<https://www.phoenixcontact.com/us/products/2736369>

Supply: Module electronics

Connection method	M12 connector
Designation	U _L
Supply voltage	24 V DC
Supply voltage range	18 V DC ... 30 V DC (including ripple)

Electrical isolation/isolation of the voltage ranges

Test voltage: To I/O	500 V AC
----------------------	----------

Connection data

Connection method	M12 connector
-------------------	---------------

Environmental and real-life conditions

Ambient conditions

Ambient temperature (operation)	-25 °C ... 60 °C
Degree of protection	IP65/IP67
Air pressure (operation)	80 kPa ... 106 kPa (up to 2000 m above sea level)
Air pressure (storage/transport)	70 kPa ... 106 kPa (up to 3000 m above sea level)
Ambient temperature (storage/transport)	-25 °C ... 85 °C
Permissible humidity (storage/transport)	95 %

Standards and regulations

Protection class	III (IEC 61140, EN 61140, VDE 0140-1)
------------------	---------------------------------------

Mounting

Mounting type	Panel mounting
---------------	----------------

FLM DIO 4/4 M12-2A - Distributed I/O device

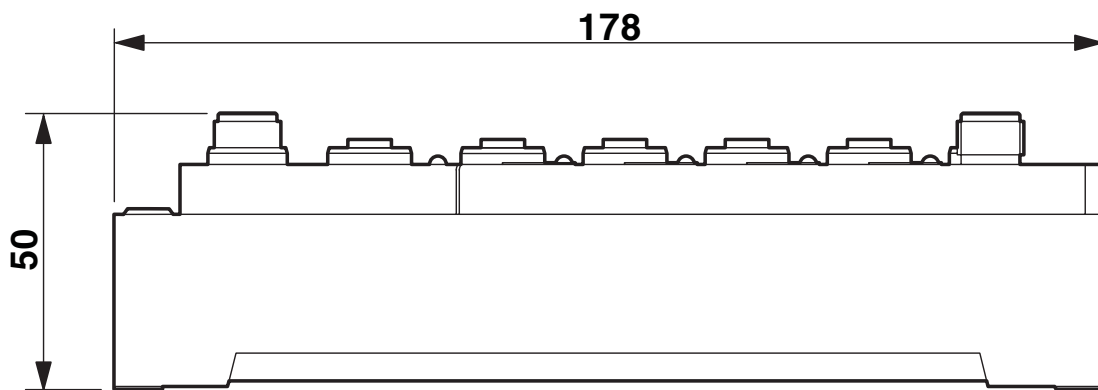


2736369

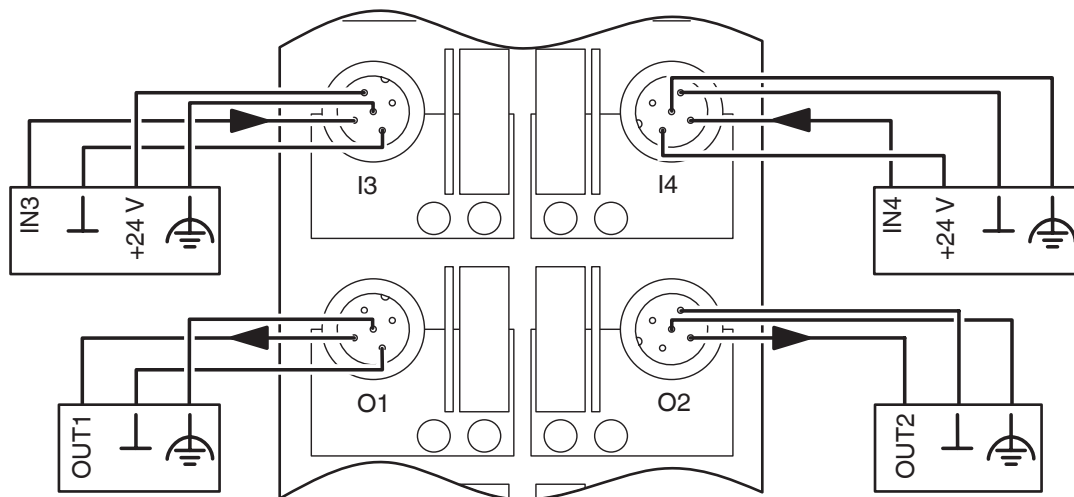
<https://www.phoenixcontact.com/us/products/2736369>

Drawings

Dimensional drawing



Connection diagram



FLM DIO 4/4 M12-2A - Distributed I/O device



2736369

<https://www.phoenixcontact.com/us/products/2736369>

Classifications

UNSPSC

UNSPSC 21.0	32151600
-------------	----------

FLM DIO 4/4 M12-2A - Distributed I/O device



2736369

<https://www.phoenixcontact.com/us/products/2736369>

Environmental product compliance

EU RoHS

Fulfills EU RoHS substance requirements	Yes
Exemption	6(c), 7(a), 7(c)-I

China RoHS

Environment friendly use period (EFUP)	EFUP-E
	No hazardous substances above the limits

EU REACH SVHC

REACH candidate substance (CAS No.)	Lead(CAS: 7439-92-1)
-------------------------------------	----------------------

Phoenix Contact 2026 © - all rights reserved

<https://www.phoenixcontact.com>

Phoenix Contact USA
586 Fulling Mill Road
Middletown, PA 17057, United States
(+717) 944-1300
info@phoenixcon.com