

# FLM DO 8 M12 - Distributed I/O device



2736291

<https://www.phoenixcontact.com/us/products/2736291>

Please be informed that the data shown in this PDF document is generated from our online catalog. Please find the complete data in the user documentation. Our general terms of use for downloads are valid.



The local bus device has digital outputs. Functions: 8 digital outputs of 500 mA each, 500 kbaud/2 Mbaud selection, channel-specific diagnostics, short-circuit and overload protection, M12 fast connection technology.

## Your advantages

- Flexible power supply concept
- SPEEDCON fast locking system
- Diagnostic and status indicators
- Short-circuit and overload protection
- Consistent connection via M12 connectors

## Commercial data

Item number	2736291
Packing unit	1 pc
Sales key	DR03
Product key	DRI432
GTIN	4017918951085
Weight per piece (including packing)	364.3 g
Weight per piece (excluding packing)	364 g
Customs tariff number	85176200
Country of origin	DE

# FLM DO 8 M12 - Distributed I/O device

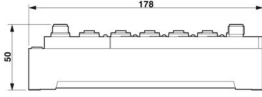


2736291

<https://www.phoenixcontact.com/us/products/2736291>

## Technical data

### Dimensions

Dimensional drawing	
Width	70 mm
Height	178 mm
Depth	50 mm
Drill hole spacing	168 mm

### Interfaces

#### Fieldline local bus

Connection method	M12 connector, B-coded
Designation connection point	Copper cable
Number of positions	5
Transmission speed	500 kbps / 2 Mbps (can be switched)

### System properties

#### Programming data (LocalbusSlave)

Length code (hex)	81
ID code (dec.)	189
Process data channel	1 Byte
Input address area	0 Byte
Output address area	1 Byte
Parameter channel (PCP)	0 Byte
Register length (bus)	1 Byte

#### Fieldbus data telegram

Required parameter data	3 Byte
Required configuration data	4 Byte

### Output data

#### Digital:

Output name	Digital outputs
Connection method	M12 connector
Connection technology	2-, 3-conductor
Number of outputs	8
Protective circuit	Short-circuit protection

# FLM DO 8 M12 - Distributed I/O device



2736291

<https://www.phoenixcontact.com/us/products/2736291>

Output voltage	24 V DC
Maximum output current per channel	500 mA

## Product properties

Product type	I/O component
Product family	Fieldline
Type	modular
No. of channels	8

## Electrical properties

### Potentials

Voltage supply $U_L$	24 V DC
Power supply at $U_L$	max. 4 A
Current consumption from $U_L$	max. 50 mA (At 2 Mbaud)
	typ. 45 mA (At 2 Mbaud)
	max. 50 mA (At 500 kBaud)
	typ. 40 mA (At 500 kBaud)
Voltage supply $U_S$	24 V DC
Power supply at $U_S$	max. 4 A
Current consumption from $U_S$	typ. 5 mA (plus power supply for sensors)
	max. 600 mA
Voltage supply $U_{A11}$	24 V DC
Power supply at $U_{A11}$	max. 4 A
Current consumption at $U_{A11}$	typ. 3 mA
	max. 2 A
Voltage supply $U_{A12}$	24 V DC
Power supply at $U_{A12}$	max. 4 A
Current consumption at $U_{A12}$	typ. 3 mA
	max. 2 A

### Supply: Module electronics

Connection method	M12 connector
Designation	$U_L$
Supply voltage	24 V DC
Supply voltage range	18 V DC ... 30 V DC (including ripple)

### Electrical isolation/isolation of the voltage ranges

Test voltage: To I/O	500 V AC
----------------------	----------

## Connection data

Connection method	M12 connector
-------------------	---------------

## Environmental and real-life conditions

### Ambient conditions

# FLM DO 8 M12 - Distributed I/O device



2736291

<https://www.phoenixcontact.com/us/products/2736291>

Ambient temperature (operation)	-25 °C ... 60 °C
Degree of protection	IP65/IP67
Air pressure (operation)	80 kPa ... 106 kPa (up to 2000 m above sea level)
Air pressure (storage/transport)	70 kPa ... 106 kPa (up to 3000 m above sea level)
Ambient temperature (storage/transport)	-25 °C ... 85 °C
Permissible humidity (storage/transport)	95 %

## Standards and regulations

Protection class	III (IEC 61140, EN 61140, VDE 0140-1)
------------------	---------------------------------------

## Mounting

Mounting type	Panel mounting
---------------	----------------

# FLM DO 8 M12 - Distributed I/O device

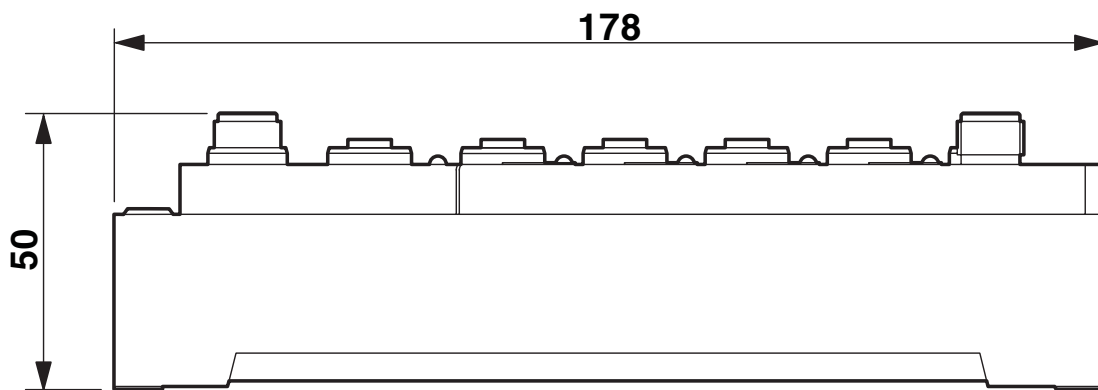


2736291

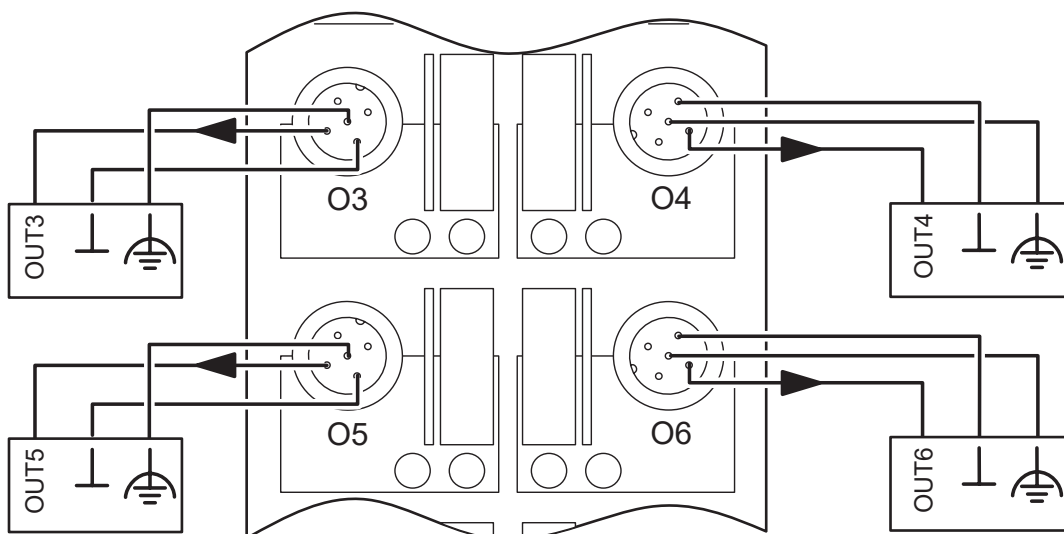
<https://www.phoenixcontact.com/us/products/2736291>

## Drawings

Dimensional drawing



Connection diagram



# FLM DO 8 M12 - Distributed I/O device



2736291

<https://www.phoenixcontact.com/us/products/2736291>

## Classifications

### UNSPSC

UNSPSC 21.0	32151600
-------------	----------

# FLM DO 8 M12 - Distributed I/O device



2736291

<https://www.phoenixcontact.com/us/products/2736291>

## Environmental product compliance

### EU RoHS

Fulfills EU RoHS substance requirements	Yes
Exemption	6(c), 7(a), 7(c)-I

### China RoHS

Environment friendly use period (EFUP)	EFUP-E
	No hazardous substances above the limits

### EU REACH SVHC

REACH candidate substance (CAS No.)	Lead(CAS: 7439-92-1)
-------------------------------------	----------------------

Phoenix Contact 2026 © - all rights reserved

<https://www.phoenixcontact.com>

Phoenix Contact USA  
586 Fulling Mill Road  
Middletown, PA 17057, United States  
(+717) 944-1300  
[info@phoenixcon.com](mailto:info@phoenixcon.com)