

# FLM DI 8 M12 - Distributed I/O device



2736288

<https://www.phoenixcontact.com/us/products/2736288>

Please be informed that the data shown in this PDF document is generated from our online catalog. Please find the complete data in the user documentation. Our general terms of use for downloads are valid.



The local bus device has digital inputs. Functions: 8 digital inputs, 3 ms filter time, 500 kbaud/2 Mbaud selection, channel-specific diagnostics, short-circuit and overload protection, 600 mA nominal current, M12 fast connection technology.

## Your advantages

- Flexible power supply concept
- SPEEDCON fast locking system
- Short-circuit and overload protection
- Diagnostic and status indicators
- Consistent connection via M12 connectors

## Commercial data

Item number	2736288
Packing unit	1 pc
Sales key	DR03
Product key	DRI431
GTIN	4017918951054
Weight per piece (including packing)	343.4 g
Weight per piece (excluding packing)	290 g
Customs tariff number	85176200
Country of origin	DE

# FLM DI 8 M12 - Distributed I/O device

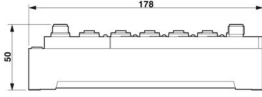


2736288

<https://www.phoenixcontact.com/us/products/2736288>

## Technical data

### Dimensions

Dimensional drawing	
Width	70 mm
Height	178.5 mm
Depth	50 mm
Drill hole spacing	168 mm

### Interfaces

#### Fieldline local bus

Connection method	M12 connector, B-coded
Designation connection point	Copper cable
Number of positions	5
Transmission speed	500 kbps / 2 Mbps (can be switched)

### System properties

#### Programming data (LocalbusSlave)

Length code (hex)	81
ID code (dec.)	190
Process data channel	1 Byte
Input address area	1 Byte
Output address area	0 Byte
Parameter channel (PCP)	0 Byte
Register length (bus)	1 Byte

#### Fieldbus data telegram

Required parameter data	1 Byte
Required configuration data	4 Byte

### Input data

#### Digital:

Input name	Digital inputs
Description of the input	IEC 61131-2 type 1
Number of inputs	8
Connection method	M12 connector
Connection technology	2-, 3-, 4-conductor

# FLM DI 8 M12 - Distributed I/O device



2736288

<https://www.phoenixcontact.com/us/products/2736288>

Input voltage	24 V DC
Input voltage range "0" signal	-30 V DC ... 5 V DC
Input voltage range "1" signal	13 V DC ... 30 V DC
Nominal input voltage $U_{IN}$	24 V DC
Total sensor current	max. 600 mA
Filter time	3 ms
Delay at signal change from 0 to 1	3.1 ms
Delay at signal change from 1 to 0	4.1 ms
Protective circuit	Reverse polarity protection

## Output data

Digital:

Output name	M12 connector
-------------	---------------

## Product properties

Product type	I/O component
Product family	Fieldline
Type	modular
No. of channels	8

## Electrical properties

Potentials

Voltage supply $U_L$	24 V DC
Power supply at $U_L$	max. 4 A
Current consumption from $U_L$	max. 50 mA (At 2 Mbaud)
	typ. 40 mA (At 2 Mbaud)
	max. 50 mA (At 500 kBaud)
	typ. 35 mA (At 500 kBaud)
Voltage supply $U_S$	24 V DC
Power supply at $U_S$	max. 4 A
Current consumption from $U_S$	typ. 5 mA (plus power supply for sensors)
	max. 600 mA

Supply: Module electronics

Connection method	M12 connector
Designation	$U_L$
Supply voltage	24 V DC
Supply voltage range	18 V DC ... 30 V DC (including ripple)

Electrical isolation/isolation of the voltage ranges

Test voltage: To I/O	500 V AC
----------------------	----------

## Connection data

Connection method	M12 connector
-------------------	---------------

# FLM DI 8 M12 - Distributed I/O device



2736288

<https://www.phoenixcontact.com/us/products/2736288>

## Environmental and real-life conditions

### Ambient conditions

Ambient temperature (operation)	-25 °C ... 60 °C
Degree of protection	IP65/IP67
Air pressure (operation)	80 kPa ... 106 kPa (up to 2000 m above sea level)
Air pressure (storage/transport)	70 kPa ... 106 kPa (up to 3000 m above sea level)
Ambient temperature (storage/transport)	-25 °C ... 85 °C
Permissible humidity (storage/transport)	95 %

### Mechanical test

Shock in accordance with EN 60068-2-27/IEC 60068-2-27	Load 30g, half sine wave, positive and negative per direction
Vibration resistance in accordance with EN 60068-2-6/IEC 60068-2-6	5g in each space direction

## Standards and regulations

Protection class	III (IEC 61140, EN 61140, VDE 0140-1)
------------------	---------------------------------------

## Mounting

Mounting type	Panel mounting
---------------	----------------

# FLM DI 8 M12 - Distributed I/O device

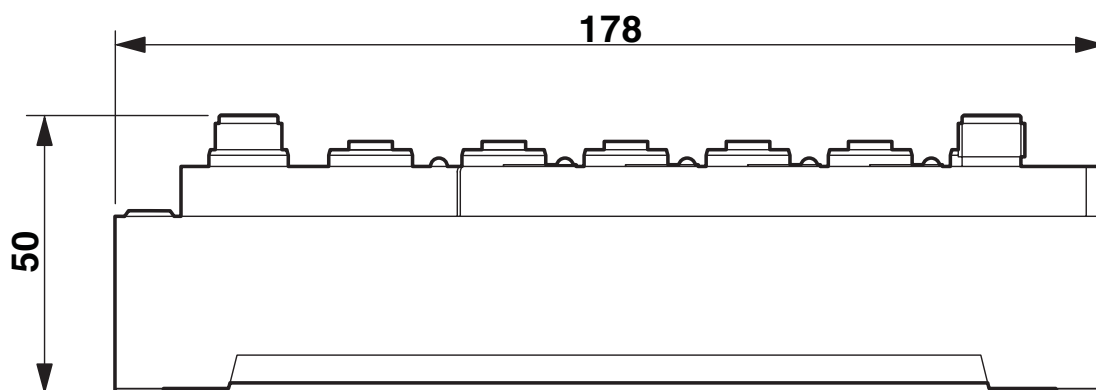


2736288

<https://www.phoenixcontact.com/us/products/2736288>

## Drawings

### Dimensional drawing

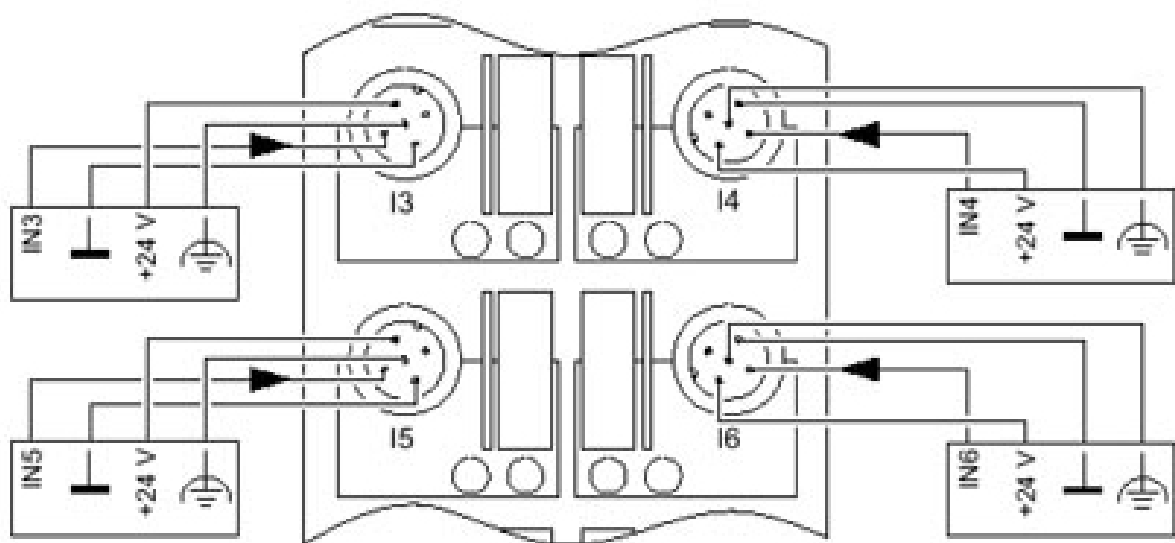


# FLM DI 8 M12 - Distributed I/O device

2736288

<https://www.phoenixcontact.com/us/products/2736288>

Connection diagram



# FLM DI 8 M12 - Distributed I/O device



2736288

<https://www.phoenixcontact.com/us/products/2736288>

## Classifications

### UNSPSC

UNSPSC 21.0	32151600
-------------	----------

# FLM DI 8 M12 - Distributed I/O device



2736288

<https://www.phoenixcontact.com/us/products/2736288>

## Environmental product compliance

### EU RoHS

Fulfills EU RoHS substance requirements	Yes
Exemption	6(c), 7(a), 7(c)-I

### China RoHS

Environment friendly use period (EFUP)	EFUP-E
	No hazardous substances above the limits

### EU REACH SVHC

REACH candidate substance (CAS No.)	Lead(CAS: 7439-92-1)
-------------------------------------	----------------------

Phoenix Contact 2026 © - all rights reserved

<https://www.phoenixcontact.com>

Phoenix Contact USA  
586 Fulling Mill Road  
Middletown, PA 17057, United States  
(+717) 944-1300  
[info@phoenixcon.com](mailto:info@phoenixcon.com)