

FLS PB M12 DI 16 M12 - Distributed I/O device



2736220

<https://www.phoenixcontact.com/us/products/2736220>

Please be informed that the data shown in this PDF document is generated from our online catalog. Please find the complete data in the user documentation. Our general terms of use for downloads are valid.



The stand-alone device for PROFIBUS has 16 digital inputs. The M12 connection is established using fast connection technology. The 24 V DC supply is protected against short circuit and overload. The nominal current of the device is 1.2 A.

Product description

This device is used for digital signal acquisition.

Your advantages

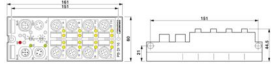
- Directly accessible address encoding switch
- Consistent connection via M12 connectors
- Short-circuit and overload protection
- SPEEDCON fast locking system
- Diagnostic and status indicators
- Flexible power supply concept

Commercial data

Item number	2736220
Packing unit	1 pc
Note	Made to order (non-returnable)
Sales key	DR03
Product key	DRI4A2
GTIN	4017918916343
Weight per piece (including packing)	343.9 g
Weight per piece (excluding packing)	292.34 g
Customs tariff number	85389099
Country of origin	CN

Technical data

Dimensions

Dimensional drawing	
Width	60 mm
Height	161 mm
Depth	44.5 mm
Drill hole spacing	151 mm

Interfaces

PROFIBUS DP

Connection method	2x M12 connectors, B-coded
Designation connection point	Copper cable
Number of positions	5
Transmission speed	9.6 kbps ... 12 Mbps (Automatic baud rate detection)
Transmission physics	PROFIBUS-DP-compliant copper cable
Address area assignment	1 ... 99, can be set

System properties

System limits

Number of local bus devices that can be connected	0
Number of devices with parameter channel	0

Module

ID code (hex)	06FB
Input address area	16 bit
Output address area	0 bit
Register length	8 bit

Input data

Digital:

Input name	Digital inputs
Description of the input	IEC 61131-2 type 1
Number of inputs	16
Connection method	M12 connector double occupancy
Connection technology	2-, 3-, 4-conductor
Input voltage	24 V DC
Input voltage range "0" signal	-30 V DC ... 5 V DC
Input voltage range "1" signal	13 V DC ... 30 V DC
Nominal input voltage U_{IN}	24 V DC

FLS PB M12 DI 16 M12 - Distributed I/O device



2736220

<https://www.phoenixcontact.com/us/products/2736220>

Total sensor current	max. 1200 mA
Filter time	1 ms
Protective circuit	Reverse polarity protection

Product properties

Product type	I/O component
Product family	Fieldline
Type	Block design
No. of channels	16

Electrical properties

Maximum power dissipation for nominal condition	31.2 W
---	--------

Potentials

Voltage supply U_L	24 V DC
Power supply at U_L	max. 4 A
Current consumption from U_L	typ. 35 mA max. 100 mA
Voltage supply U_S	24 V DC
Power supply at U_S	max. 4 A
Current consumption from U_S	typ. 8 mA (plus sensor current) max. 1.2 A

Supply: Module electronics

Connection method	M12 connector, A-coded
Designation	U_L
Supply voltage	24 V DC
Supply voltage range	18 V DC ... 30 V DC (including ripple)

Electrical isolation/isolation of the voltage ranges

Test voltage: 24 V supply (bus logics) / FE	500 V AC, 50 Hz, 1 min
Test voltage: 24 V supply (bus logics) / Digital inputs (sensor supply)	500 V AC, 50 Hz, 1 min
Test voltage: Bus connection / FE	500 V AC, 50 Hz, 1 min
Test voltage: Bus connection / Digital inputs (sensor supply)	500 V AC, 50 Hz, 1 min
Test voltage: FE / Digital inputs (sensor supply)	500 V AC, 50 Hz, 1 min

Connection data

Connection method	M12 connector
-------------------	---------------

Environmental and real-life conditions

Ambient conditions

Ambient temperature (operation)	-25 °C ... 60 °C
Degree of protection	IP65/IP67
Air pressure (operation)	80 kPa ... 106 kPa (up to 2000 m above sea level)
Air pressure (storage/transport)	70 kPa ... 106 kPa (up to 3000 m above sea level)

FLS PB M12 DI 16 M12 - Distributed I/O device



2736220

<https://www.phoenixcontact.com/us/products/2736220>

Ambient temperature (storage/transport)	-25 °C ... 85 °C
Permissible humidity (storage/transport)	95 %

Standards and regulations

Protection class	III (IEC 61140, EN 61140, VDE 0140-1)
------------------	---------------------------------------

Mounting

Mounting type	Panel mounting
---------------	----------------

FLS PB M12 DI 16 M12 - Distributed I/O device

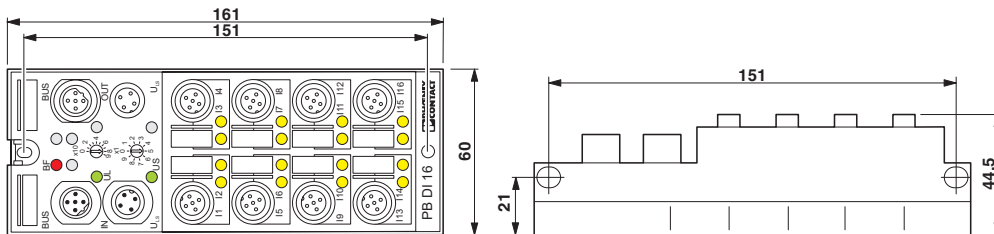


2736220

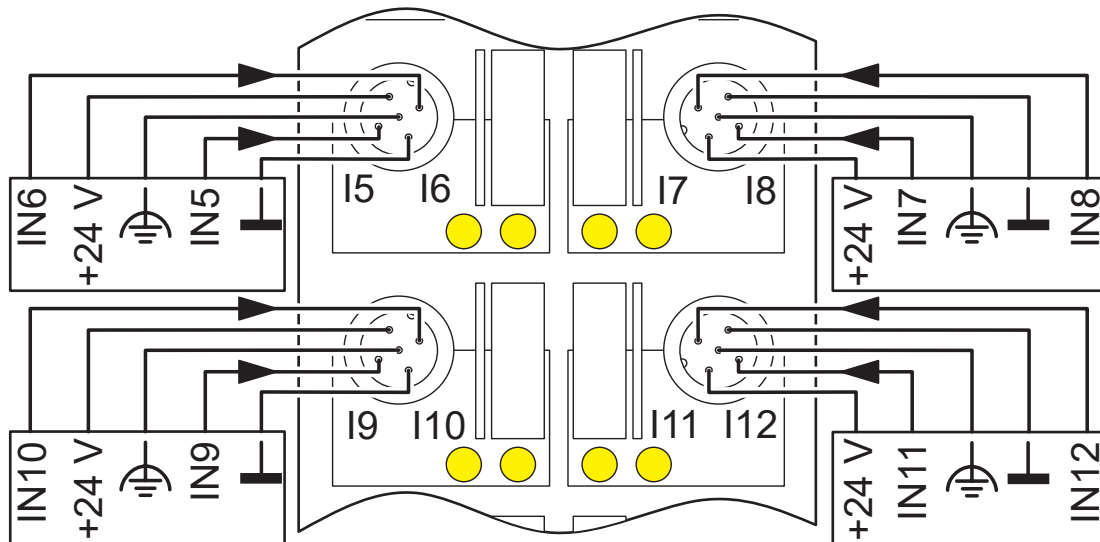
<https://www.phoenixcontact.com/us/products/2736220>

Drawings

Dimensional drawing



Connection diagram

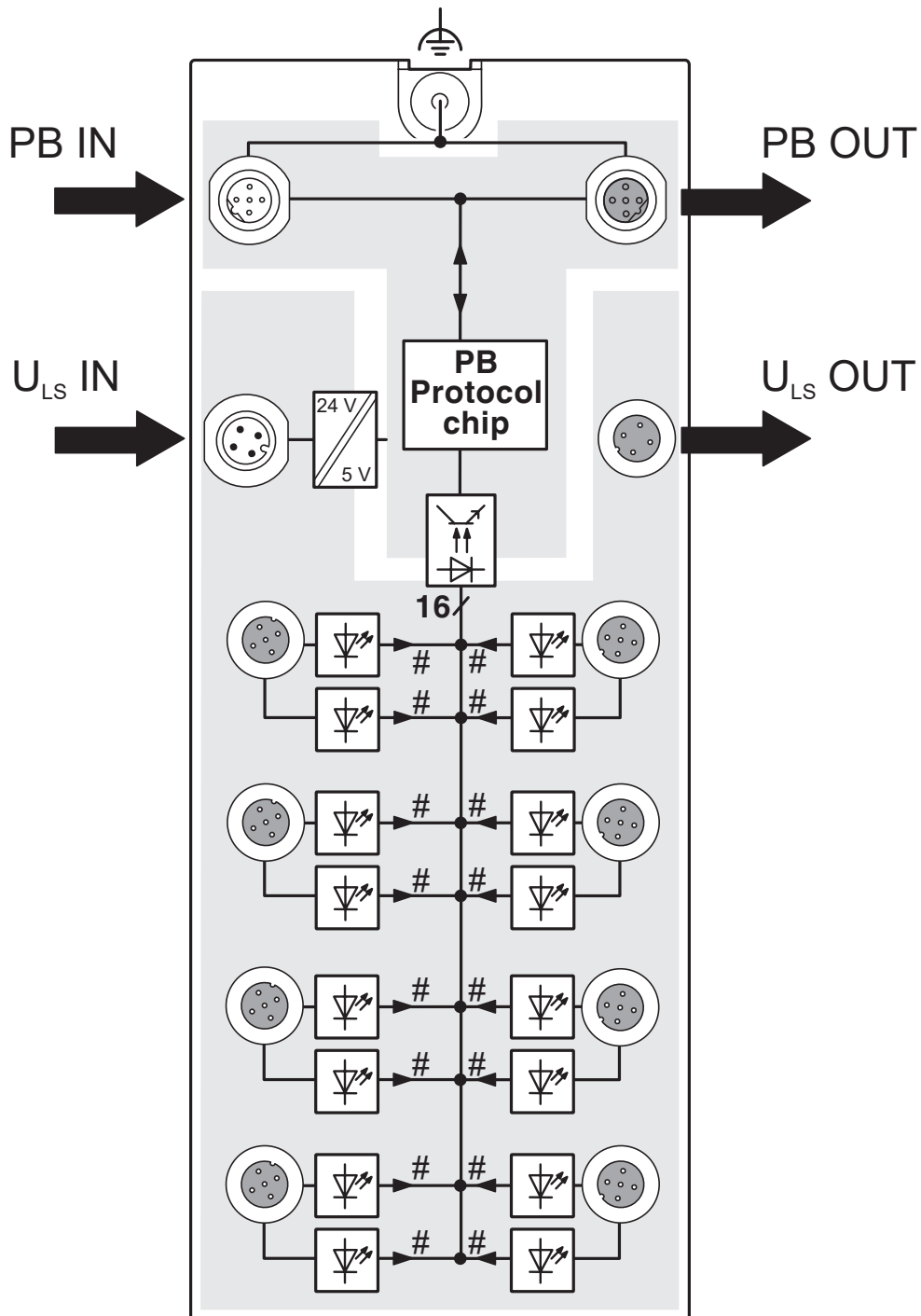


FLS PB M12 DI 16 M12 - Distributed I/O device

2736220

<https://www.phoenixcontact.com/us/products/2736220>

Block diagram



FLS PB M12 DI 16 M12 - Distributed I/O device



2736220

<https://www.phoenixcontact.com/us/products/2736220>

Classifications

UNSPSC

UNSPSC 21.0	32151602
-------------	----------

FLS PB M12 DI 16 M12 - Distributed I/O device



2736220

<https://www.phoenixcontact.com/us/products/2736220>

Environmental product compliance

EU RoHS

Fulfills EU RoHS substance requirements	Yes
Exemption	6(c), 7(a), 7(c)-I

China RoHS

Environment friendly use period (EFUP)	EFUP-E
	No hazardous substances above the limits

EU REACH SVHC

REACH candidate substance (CAS No.)	Lead(CAS: 7439-92-1)
-------------------------------------	----------------------

Phoenix Contact 2026 © - all rights reserved

<https://www.phoenixcontact.com>

Phoenix Contact USA
586 Fulling Mill Road
Middletown, PA 17057, United States
(+717) 944-1300
info@phoenixcon.com