

# FLS DN M12 DIO 4/4 M12-2A - Distributed I/O device



2736042

<https://www.phoenixcontact.com/us/products/2736042>

Please be informed that the data shown in this PDF document is generated from our online catalog. Please find the complete data in the user documentation. Our general terms of use for downloads are valid.



The stand-alone device for DeviceNet™ has 4 digital inputs and 4 digital outputs each with a load capacity of 2 A. The M12 connection is established using fast connection technology. The 24 V DC supply is protected against short circuit and overload.

## Your advantages


- Directly accessible address encoding switch
- Consistent connection via M12 connectors
- SPEEDCON fast locking system
- Diagnostic and status indicators
- Short-circuit and overload protection
- Flexible power supply concept

## Commercial data

Item number	2736042
Packing unit	1 pc
Note	Made to order (non-returnable)
Sales key	DR03
Product key	DRI4A4
GTIN	4017918899608
Weight per piece (including packing)	385 g
Weight per piece (excluding packing)	340 g
Customs tariff number	85176200
Country of origin	DE

## Technical data

### Dimensions

Dimensional drawing	
Width	60 mm
Height	178 mm
Depth	49.3 mm
Drill hole spacing	168 mm

### Notes

#### Utilization restriction

EMC note	EMC: class A product, see manufacturer's declaration in the download area
----------	---

### Interfaces

#### DeviceNet™

Connection method	2 M12 connectors, A-coded
Number of positions	5
Transmission speed	125 kbps, 250 kbps, 500 kbps (Automatic baud rate detection)
Transmission physics	Copper cable in acc. with DeviceNet™ specification
Address area assignment	0 ... 63, can be set

### System properties

#### System limits

Number of local bus devices that can be connected	0
Number of devices with parameter channel	0

#### Programming data

Input address area	4 bit
Output address area	4 bit

### Input data

#### Digital:

Input name	Digital inputs
Description of the input	IEC 61131-2 type 1
Number of inputs	4
Connection method	M12 connector
Connection technology	2-, 3-, 4-conductor

2736042

<https://www.phoenixcontact.com/us/products/2736042>

Input voltage	24 V DC
Input voltage range "0" signal	-30 V DC ... 5 V DC
Input voltage range "1" signal	13 V DC ... 30 V DC
Nominal input voltage $U_{IN}$	24 V DC
Filter time	3 ms
Protective circuit	Reverse polarity protection

## Output data

Digital:

Output name	Digital outputs
Connection method	M12 connector
Connection technology	2-, 3-conductor
Number of outputs	4
Protective circuit	Short-circuit protection
Output voltage	24 V DC
Maximum output current per channel	2 A

## Product properties

Product type	I/O component
Product family	Fieldline
Type	Block design
No. of channels	8

## Electrical properties

Potentials

Voltage supply $U_L$	24 V DC
Power supply at $U_L$	max. 4 A
Current consumption from $U_L$	typ. 60 mA max. 100 mA
Voltage supply $U_S$	24 V DC
Power supply at $U_S$	max. 4 A
Current consumption from $U_S$	typ. 10 mA (plus sensor current) max. 500 mA
Voltage supply $U_{A11}$	24 V DC
Power supply at $U_{A11}$	max. 4 A
Current consumption at $U_{A11}$	typ. 6 mA (plus actuator current) max. 4 A
Voltage supply $U_{A12}$	24 V DC
Power supply at $U_{A12}$	max. 4 A
Current consumption at $U_{A12}$	typ. 6 mA (plus actuator current) max. 4 A

Supply: Module electronics

Connection method	M12 connector, A-coded
-------------------	------------------------

# FLS DN M12 DIO 4/4 M12-2A - Distributed I/O device



2736042

<https://www.phoenixcontact.com/us/products/2736042>

Designation	U <sub>L</sub>
Supply voltage	24 V DC
Supply voltage range	12 V DC ... 30 V DC (including ripple)

## Electrical isolation/isolation of the voltage ranges

Test voltage: 24 V supply (bus logics) / Digital inputs (sensor supply)	500 V AC, 50 Hz, 1 min
Test voltage: 24 V supply (bus logics) / Digital outputs (actuator supply)	500 V AC, 50 Hz, 1 min
Test voltage: FE / Digital outputs (actuator supply)	500 V AC, 50 Hz, 1 min
Test voltage: FE / Digital inputs (sensor supply)	500 V AC, 50 Hz, 1 min
Test voltage: Digital inputs (sensor supply) / Digital outputs (actuator supply)	500 V AC, 50 Hz, 1 min

## Connection data

Connection method	M12 connector
-------------------	---------------

## Environmental and real-life conditions

### Ambient conditions

Ambient temperature (operation)	-25 °C ... 60 °C
Degree of protection	IP65/IP67
Air pressure (operation)	80 kPa ... 106 kPa (up to 2000 m above sea level)
Air pressure (storage/transport)	70 kPa ... 106 kPa (up to 3000 m above sea level)
Ambient temperature (storage/transport)	-25 °C ... 85 °C
Permissible humidity (storage/transport)	95 %

### Mechanical test

Shock in accordance with EN 60068-2-27/IEC 60068-2-27	Load 30g, half sine wave, positive and negative per direction
---	---

## Standards and regulations

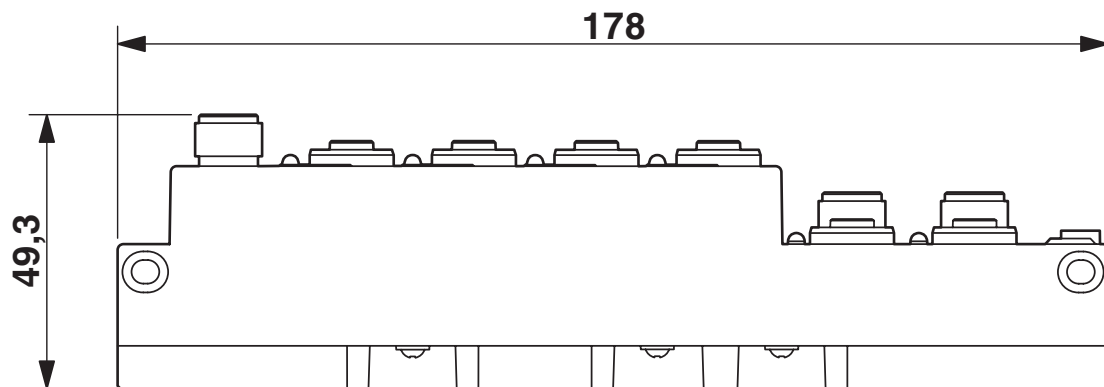
Protection class	III (IEC 61140, EN 61140, VDE 0140-1)
------------------	---------------------------------------

## Mounting

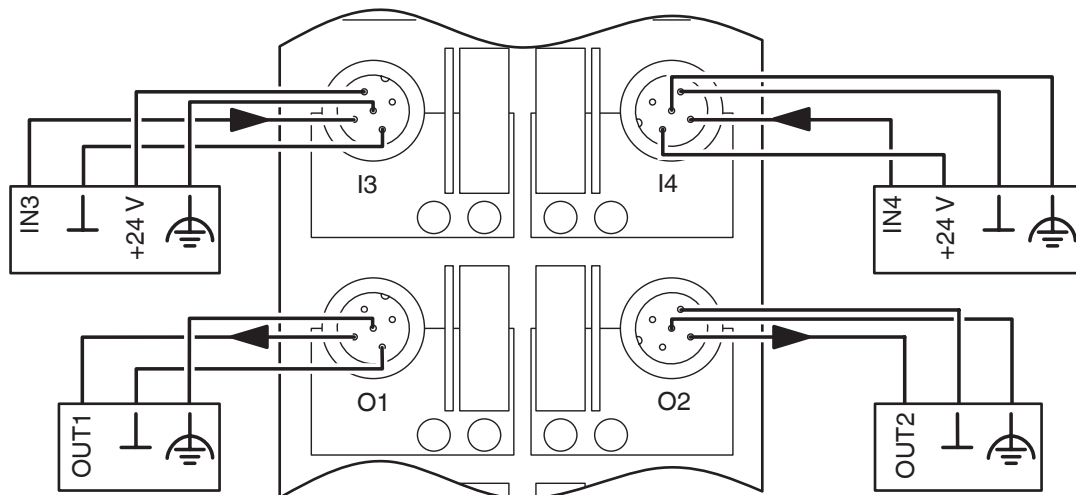
Mounting type	Panel mounting
---------------	----------------

## Drawings

Dimensional drawing



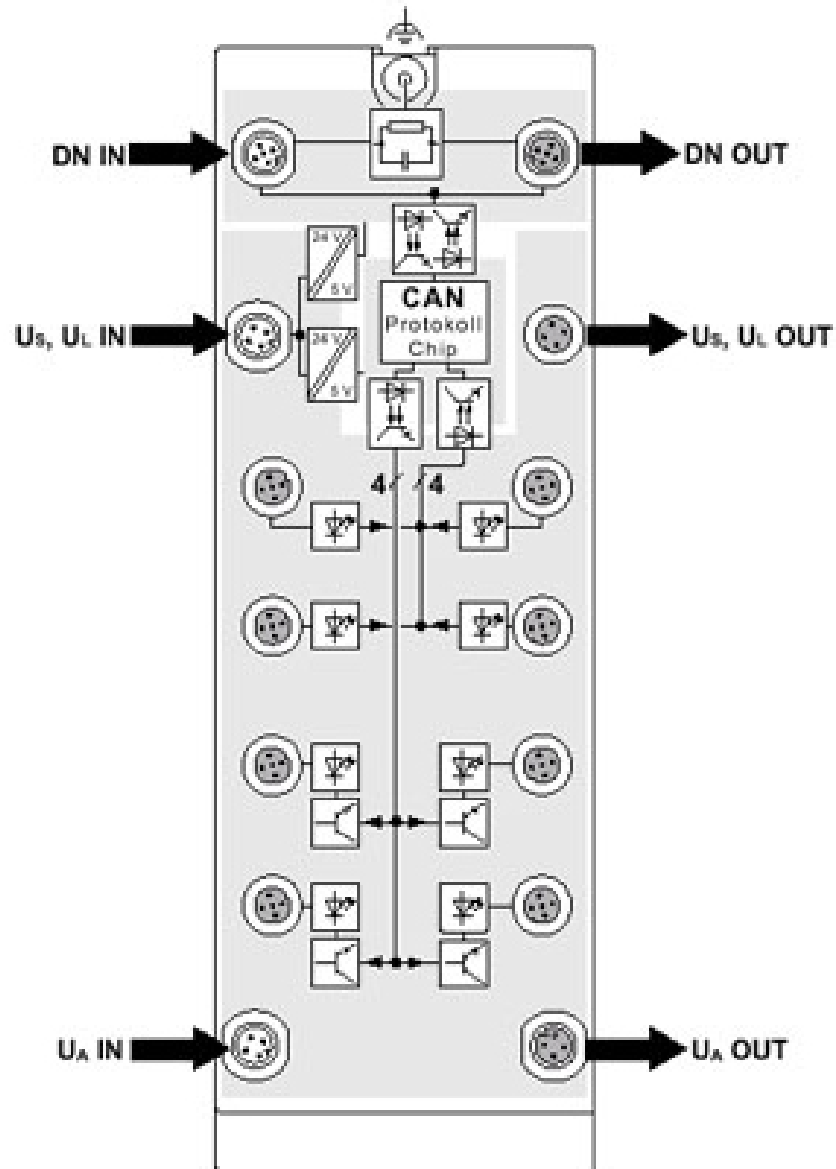
Connection diagram



2736042

<https://www.phoenixcontact.com/us/products/2736042>

Block diagram



# FLS DN M12 DIO 4/4 M12-2A - Distributed I/O device



2736042

<https://www.phoenixcontact.com/us/products/2736042>

## Environmental product compliance

### China RoHS

Environment friendly use period (EFUP)	EFUP-E
	No hazardous substances above the limits

### EU REACH SVHC

REACH candidate substance (CAS No.)	No substance above 0.1 wt%
-------------------------------------	----------------------------

Phoenix Contact 2026 © - all rights reserved  
<https://www.phoenixcontact.com>

Phoenix Contact USA  
586 Fulling Mill Road  
Middletown, PA 17057, United States  
(+717) 944-1300  
[info@phoenixcon.com](mailto:info@phoenixcon.com)