

FLS IB M12 DO 8 M12-2A - Distributed I/O device



2736039

<https://www.phoenixcontact.com/us/products/2736039>

Please be informed that the data shown in this PDF document is generated from our online catalog. Please find the complete data in the user documentation. Our general terms of use for downloads are valid.



The stand-alone device for INTERBUS has 8 digital outputs each with a load capacity of 2 A. The M12 connection is established using fast connection technology. The 24 V DC supply is protected against short circuit and overload.

Your advantages

- Flexible power supply concept
- Diagnostic and status indicators
- Short-circuit and overload protection
- SPEEDCON fast locking system
- Consistent connection via M12 connectors

Commercial data


Item number	2736039
Packing unit	1 pc
Minimum order quantity	1 pc
Sales key	DR03
Product key	DRI4A1
GTIN	4017918899653
Weight per piece (including packing)	382.53 g
Weight per piece (excluding packing)	350 g
Customs tariff number	85176200
Country of origin	DE

2736039

<https://www.phoenixcontact.com/us/products/2736039>

Technical data

Dimensions

Dimensional drawing	
Width	60 mm
Height	178 mm
Depth	49.3 mm
Drill hole spacing	168 mm

Interfaces

Remote bus

Connection method	2 M12 connectors, B-coded
Designation connection point	Copper cable
Number of positions	5
Transmission speed	500 kbps

System properties

System limits

Number of local bus devices that can be connected	0
Number of devices with parameter channel	0

Module

ID code (dec.)	1
ID code (hex)	01
Length code (hex)	81
Length code (dec)	129
Process data channel	8 bit
Output address area	8 bit
Register length	8 bit

Output data

Digital:

Output name	Digital outputs
Connection method	M12 connector
Connection technology	2-, 3-conductor
Number of outputs	8
Protective circuit	Short-circuit protection
Output voltage	24 V DC

FLS IB M12 DO 8 M12-2A - Distributed I/O device



2736039

<https://www.phoenixcontact.com/us/products/2736039>

Maximum output current per channel	2 A
------------------------------------	-----

Product properties

Product type	I/O component
Product family	Fieldline
Type	Block design
No. of channels	8

Electrical properties

Potentials

Voltage supply U_L	24 V DC
Power supply at U_L	4 A
Current consumption from U_L	typ. 80 mA
	max. 100 mA
Voltage supply U_S	24 V DC
Power supply at U_S	max. 4 A
Current consumption from U_S	typ. 3.5 mA
	max. 700 mA
Voltage supply U_{A11}	24 V DC
Power supply at U_{A11}	max. 4 A
Current consumption at U_{A11}	typ. 12 mA (plus actuator current)
	max. 4 A
Voltage supply U_{A12}	24 V DC
Power supply at U_{A12}	max. 4 A
Current consumption at U_{A12}	typ. 12 mA (plus actuator current)
	max. 4 A
Voltage supply U_{A21}	24 V DC
Power supply at U_{A21}	max. 4 A
Current consumption at U_{A21}	typ. 12 mA (plus actuator current)
	max. 4 A
Voltage supply U_{A22}	24 V DC
Power supply at U_{A22}	max. 4 A
Current consumption at U_{A22}	typ. 12 mA (plus actuator current)
	max. 4 A

Supply: Module electronics

Connection method	M12 connector, A-coded
Designation	U_L
Supply voltage	24 V DC
Supply voltage range	18 V DC ... 30 V DC (including ripple)

Electrical isolation/isolation of the voltage ranges

Test voltage: 24 V supply (bus logics) / FE	500 V AC, 50 Hz, 1 s
Test voltage: 24 V supply (bus logics) / 24 V supply (US)	500 V AC, 50 Hz, 1 s
Test voltage: 24 V supply (bus logics) / Digital outputs (actuator)	500 V AC, 50 Hz, 1 s

FLS IB M12 DO 8 M12-2A - Distributed I/O device



2736039

<https://www.phoenixcontact.com/us/products/2736039>

supply)	
Test voltage: 24 V supply (bus logics) / Incoming remote bus	500 V AC, 50 Hz, 1 s
Test voltage: 24 V supply (bus logics) / Outgoing remote bus	500 V AC, 50 Hz, 1 s
Test voltage: 24 V supply (US) / FE	500 V AC, 50 Hz, 1 s
Test voltage: Digital outputs (actuator supply) / FE	500 V AC, 50 Hz, 1 s
Test voltage: Digital outputs (actuator supply) / 24 V supply (US)	500 V AC, 50 Hz, 1 s
Test voltage: Digital outputs (actuator supply) / Incoming remote bus	500 V AC, 50 Hz, 1 s
Test voltage: Incoming remote bus / FE	500 V AC, 50 Hz, 1 s
Test voltage: Incoming remote bus / Outgoing remote bus	500 V AC, 50 Hz, 1 s
Test voltage: Outgoing remote bus / FE	500 V AC, 50 Hz, 1 s
Test voltage: Outgoing remote bus / 24 V supply (US)	500 V AC, 50 Hz, 1 s
Test voltage: Outgoing remote bus / Digital outputs (actuator supply)	500 V AC, 50 Hz, 1 s

Connection data

Connection method	M12 connector
-------------------	---------------

Environmental and real-life conditions

Ambient conditions

Ambient temperature (operation)	-25 °C ... 60 °C
Degree of protection	IP65/IP67
Air pressure (operation)	80 kPa ... 106 kPa (up to 2000 m above sea level)
Air pressure (storage/transport)	70 kPa ... 106 kPa (up to 3000 m above sea level)
Ambient temperature (storage/transport)	-25 °C ... 85 °C
Permissible humidity (storage/transport)	95 %

Standards and regulations

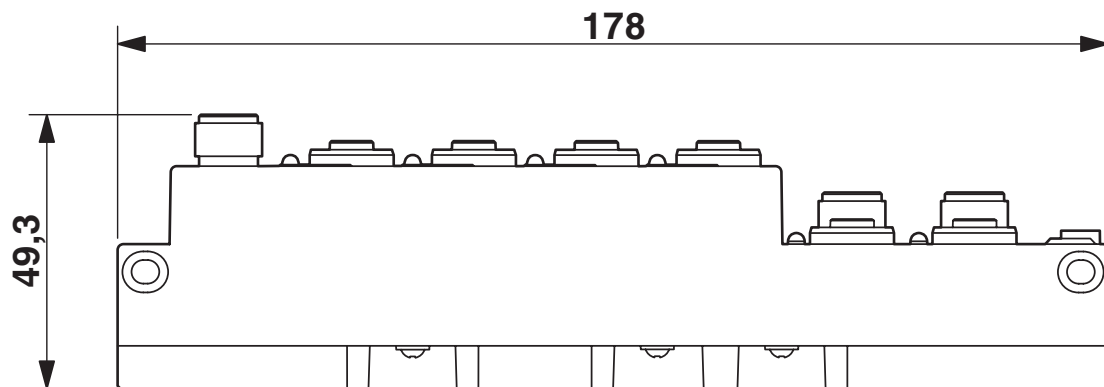
Protection class	III (IEC 61140, EN 61140, VDE 0140-1)
------------------	---------------------------------------

Mounting

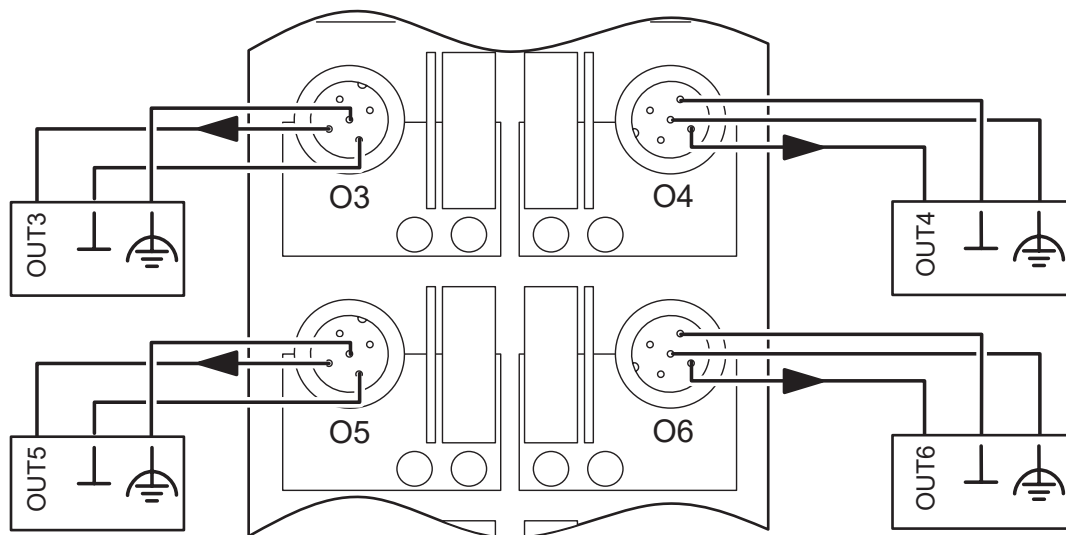
Mounting type	Panel mounting
---------------	----------------

Drawings

Dimensional drawing



Connection diagram



FLS IB M12 DO 8 M12-2A - Distributed I/O device



2736039

<https://www.phoenixcontact.com/us/products/2736039>

Approvals

🔗 To download certificates, visit the product detail page: <https://www.phoenixcontact.com/us/products/2736039>

INTERBUS CLUB

Approval ID: 378/25.10.02

FLS IB M12 DO 8 M12-2A - Distributed I/O device



2736039

<https://www.phoenixcontact.com/us/products/2736039>

Classifications

UNSPSC

UNSPSC 21.0	32151602
-------------	----------

2736039

<https://www.phoenixcontact.com/us/products/2736039>

Environmental product compliance

EU RoHS

Fulfills EU RoHS substance requirements	Yes
Exemption	6(c), 7(a), 7(c)-I

China RoHS

Environment friendly use period (EFUP)	EFUP-50
	An article-related China RoHS declaration table can be found in the download area for the respective article under "Manufacturer declaration". For all articles with EFUP-E, no China RoHS declaration table issued and required.

EU REACH SVHC

REACH candidate substance (CAS No.)	Lead(CAS: 7439-92-1)
-------------------------------------	----------------------

Phoenix Contact 2026 © - all rights reserved
<https://www.phoenixcontact.com>

Phoenix Contact USA
586 Fulling Mill Road
Middletown, PA 17057, United States
(+717) 944-1300
info@phoenixcon.com