

FLS IB M12 DIO 4/4 M12-2A - Distributed I/O device



2736026

<https://www.phoenixcontact.com/us/products/2736026>

Please be informed that the data shown in this PDF document is generated from our online catalog. Please find the complete data in the user documentation. Our general terms of use for downloads are valid.



The stand-alone device for INTERBUS has 4 digital inputs and 4 digital outputs each with a load capacity of 2 A. The M12 connection is established using fast connection technology. The 24 V DC supply is protected against short circuit and overload.

Product description

This device is used for digital signal acquisition and output.

Your advantages

- Consistent connection via M12 connectors
- SPEEDCON fast locking system
- Diagnostic and status indicators
- Short-circuit and overload protection
- Flexible power supply concept

Commercial data

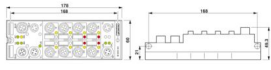
Item number	2736026
Packing unit	1 pc
Note	Made to order (non-returnable)
Sales key	DR03
Product key	DRI4A1
GTIN	4017918899646
Weight per piece (including packing)	382.3 g
Weight per piece (excluding packing)	340 g
Customs tariff number	85176200
Country of origin	DE

2736026

<https://www.phoenixcontact.com/us/products/2736026>

Technical data

Dimensions

Dimensional drawing	
Width	60 mm
Height	178 mm
Depth	49.3 mm
Drill hole spacing	168 mm

Interfaces

INTERBUS

Connection method	2x M12 connectors, B-coded
Designation connection point	Copper cable
Number of positions	5
Transmission speed	500 kbps

System properties

System limits

Number of local bus devices that can be connected	0
Number of devices with parameter channel	0

Programming data

Length code (hex)	41
ID code (dec.)	3
Length code (dec)	65
Process data channel	4 bit
Input address area	4 bit
Output address area	4 bit
Parameter channel (PCP)	0 bit
Register length (bus)	4 bit

Input data

Digital:

Input name	Digital inputs
Description of the input	IEC 61131-2 type 1
Number of inputs	4
Connection method	M12 connector
Connection technology	2-, 3-, 4-conductor
Input voltage	24 V DC
Input voltage range "0" signal	-30 V DC ... 5 V DC

2736026

<https://www.phoenixcontact.com/us/products/2736026>

Input voltage range "1" signal	13 V DC ... 30 V DC
Nominal input voltage U_{IN}	24 V DC
Nominal input current at U_{IN}	5 mA
Current flow	Linear in the range of $1\text{ V} < U_{IN} < 30\text{ V}$
Filter time	3 ms
Protective circuit	Reverse polarity protection

Output data

Digital:

Output name	Digital outputs
Connection method	M12 connector
Connection technology	2-, 3-conductor
Number of outputs	4
Protective circuit	Short-circuit protection
Output voltage	24 V DC
Maximum output current per channel	2 A
Output current when switched off	max. 20 μA
Nominal load, inductive	48 VA (1,2 H, 12 Ω)
Nominal load, lamp	48 W
Nominal load, ohmic	48 W
Maximum operating frequency with ohmic nominal load	max. 500 Hz
Behavior with overload	Auto restart
Behavior with inductive overload	Output can be destroyed
Behavior at voltage switch-off	The output follows the power supply without delay
Overcurrent shut-down	min. 2.6 A
Output current with ground connection interrupt when switched off	max. 5 mA

Product properties

Product type	I/O component
Product family	Fieldline
Type	Block design
No. of channels	8

Electrical properties

Potentials

Voltage supply U_L	24 V DC
Power supply at U_L	max. 4 A
Current consumption from U_L	typ. 60 mA
	max. 100 mA
Voltage supply U_S	24 V DC
Power supply at U_S	max. 4 A
Current consumption from U_S	typ. 10 mA (plus sensor current)
	max. 500 mA

FLS IB M12 DIO 4/4 M12-2A - Distributed I/O device



2736026

<https://www.phoenixcontact.com/us/products/2736026>

Voltage supply U_{A11}	24 V DC
Power supply at U_{A11}	max. 4 A
Current consumption at U_{A11}	typ. 6 mA (plus actuator current)
	max. 4 A
Voltage supply U_{A12}	24 V DC
Power supply at U_{A12}	max. 4 A
Current consumption at U_{A12}	typ. 6 mA (plus actuator current)
	max. 4 A

Supply: Module electronics

Connection method	M12 connector, A-coded
Designation	U_L
Supply voltage	24 V DC
Supply voltage range	18 V DC ... 30 V DC (including ripple)

Electrical isolation/isolation of the voltage ranges

Test voltage: 24 V supply (bus logics) / FE	500 V AC, 50 Hz, 1 s
Test voltage: 24 V supply (bus logics) / Digital inputs (sensor supply / I/O)	500 V AC, 50 Hz, 1 s
Test voltage: 24 V supply (bus logics) / Digital outputs (actuator supply)	500 V AC, 50 Hz, 1 s
Test voltage: 24 V supply (bus logics) / Incoming remote bus	500 V AC, 50 Hz, 1 s
Test voltage: 24 V supply (bus logics) / Outgoing remote bus	500 V AC, 50 Hz, 1 s
Test voltage: Digital inputs (sensor supply / I/O) / FE	500 V AC, 50 Hz, 1 s
Test voltage: Digital inputs (sensor supply) / Digital outputs (actuator supply)	500 V AC, 50 Hz, 1 s
Test voltage: Digital inputs (sensor supply / I/O) / Incoming remote bus	500 V AC, 50 Hz, 1 s
Test voltage: Digital inputs (sensor supply / I/O) / Outgoing remote bus	500 V AC, 50 Hz, 1 s
Test voltage: Digital outputs (actuator supply) / FE	500 V AC, 50 Hz, 1 s
Test voltage: Digital outputs (actuator supply) / Incoming remote bus	500 V AC, 50 Hz, 1 s
Test voltage: Incoming remote bus / FE	500 V AC, 50 Hz, 1 s
Test voltage: Incoming remote bus / Outgoing remote bus	500 V AC, 50 Hz, 1 s
Test voltage: Outgoing remote bus / FE	500 V AC, 50 Hz, 1 s
	500 V AC, 50 Hz, 1 s

Connection data

Connection method	M12 connector
-------------------	---------------

Environmental and real-life conditions

Ambient conditions

Ambient temperature (operation)	-25 °C ... 60 °C
Degree of protection	IP65/IP67
Air pressure (operation)	80 kPa ... 106 kPa (up to 2000 m above sea level)

FLS IB M12 DIO 4/4 M12-2A - Distributed I/O device



2736026

<https://www.phoenixcontact.com/us/products/2736026>

Air pressure (storage/transport)	70 kPa ... 106 kPa (up to 3000 m above sea level)
Ambient temperature (storage/transport)	-25 °C ... 85 °C
Permissible humidity (storage/transport)	95 %

Standards and regulations

Protection class	III (IEC 61140, EN 61140, VDE 0140-1)
------------------	---------------------------------------

Mounting

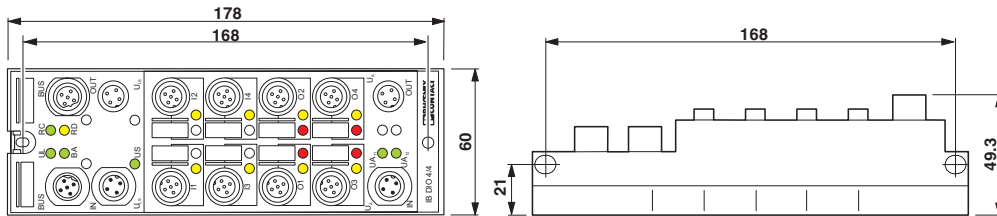
Mounting type	Panel mounting
---------------	----------------

2736026

<https://www.phoenixcontact.com/us/products/2736026>

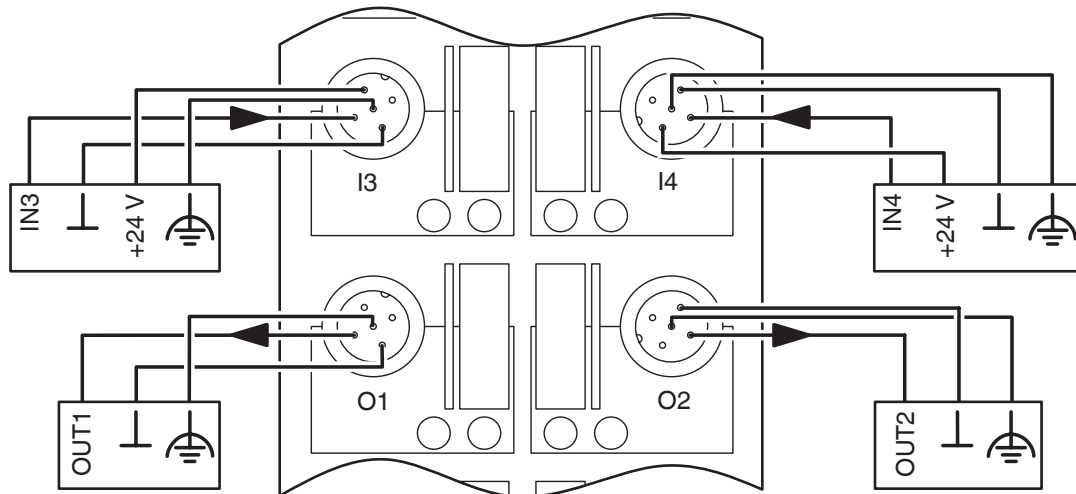
Drawings

Dimensional drawing

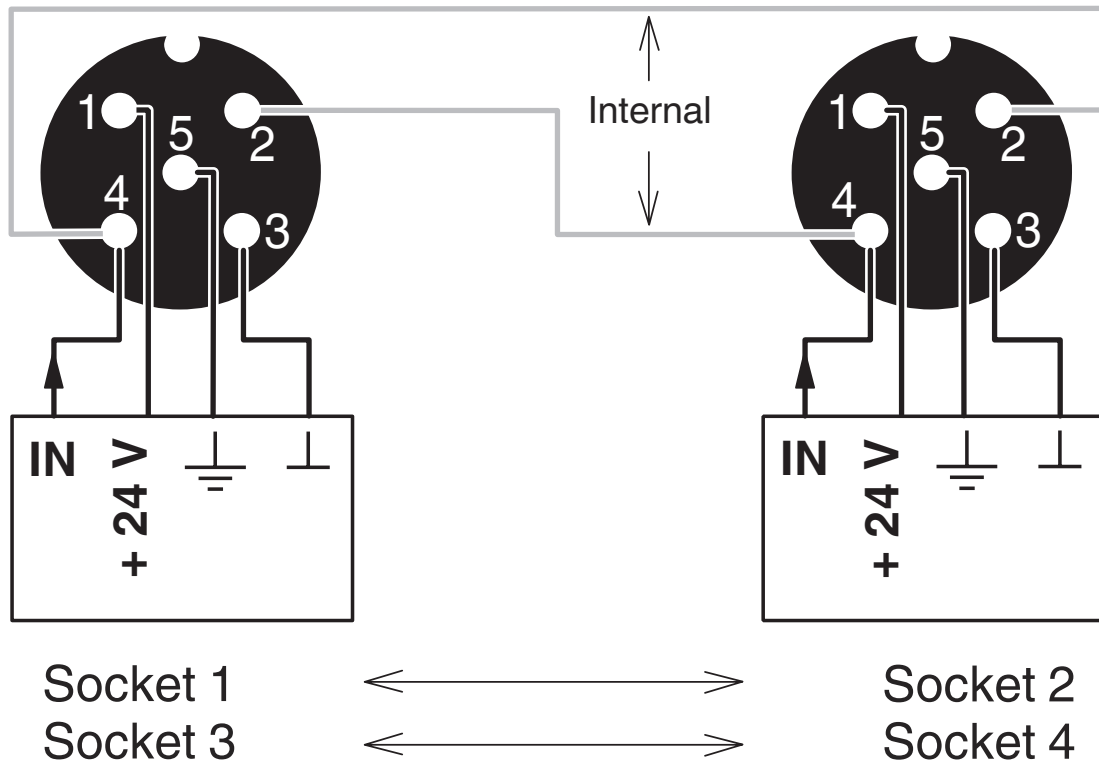


Dimensions of the module

Connection diagram



Connection diagram

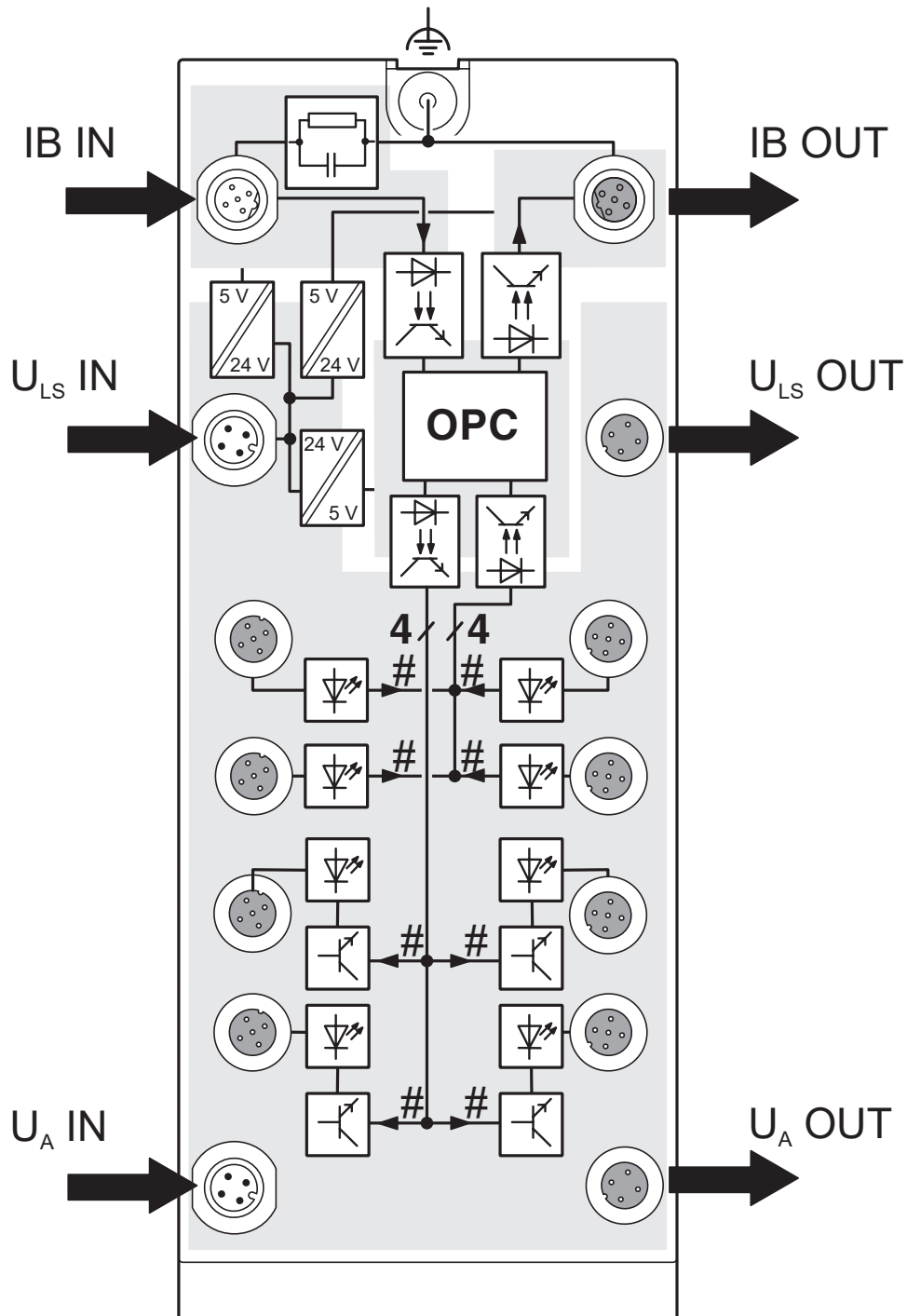


FLS IB M12 DIO 4/4 M12-2A - Distributed I/O device

2736026

<https://www.phoenixcontact.com/us/products/2736026>

Block diagram



FLS IB M12 DIO 4/4 M12-2A - Distributed I/O device



2736026

<https://www.phoenixcontact.com/us/products/2736026>

Classifications

UNSPSC

UNSPSC 21.0	32151602
-------------	----------

2736026

<https://www.phoenixcontact.com/us/products/2736026>

Environmental product compliance

EU RoHS

Fulfills EU RoHS substance requirements	Yes
Exemption	6(c), 7(a), 7(c)-I

China RoHS

Environment friendly use period (EFUP)	EFUP-E
	No hazardous substances above the limits

EU REACH SVHC

REACH candidate substance (CAS No.)	No substance above 0.1 wt%
-------------------------------------	----------------------------

Phoenix Contact 2026 © - all rights reserved

<https://www.phoenixcontact.com>

Phoenix Contact USA
586 Fulling Mill Road
Middletown, PA 17057, United States
(+717) 944-1300
info@phoenixcon.com