

ME 22,5 F-UT BUS/10 GN - Mounting base housing



2735991

<https://www.phoenixcontact.com/us/products/2735991>

Please be informed that the data shown in this PDF document is generated from our online catalog. Please find the complete data in the user documentation. Our general terms of use for downloads are valid.



DIN rail housing, Lower housing part with metal foot catch, flat design, with vents, width: 22.6 mm, height: 99 mm, depth: 84.8 mm, color: green (similar RAL 6021), cross connection: integrated bus connector, number of positions cross connector: 10, Bus connector: 10 parallel contacts

Your advantages

- Tool-free mounting
- Available in overall widths from 12.5 mm ... 90 mm, modular extension is possible
- Flammability rating V0 in accordance with UL 94
- Variety of connection technology
- Can be mounted on the DIN rail
- With integrated or DIN-rail-mountable bus connector as an option

Commercial data

| | |
|--------------------------------------|---------------|
| Item number | 2735991 |
| Packing unit | 10 pc |
| Minimum order quantity | 1 pc |
| Sales key | AC08 |
| Product key | ACHAAB |
| GTIN | 4017918820992 |
| Weight per piece (including packing) | 44.76 g |
| Weight per piece (excluding packing) | 39.346 g |
| Customs tariff number | 85369010 |
| Country of origin | DE |

ME 22,5 F-UT BUS/10 GN - Mounting base housing



2735991

<https://www.phoenixcontact.com/us/products/2735991>

Technical data

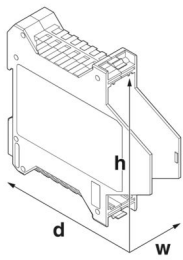
Notes

| | |
|----------------|---|
| Assembly note | Please observe the application note in the download area. |
| Recommendation | Material of contact pads for bus connector, galvanic gold (hard gold) |

Product properties

| | |
|------------------------------|--|
| Product type | Lower housing part |
| Housing type | DIN rail housing |
| Housing type | Modular housings |
| Housing series | ME |
| Product family | ME 22,5.. |
| Type | Lower housing parts with vents, housing cover necessary to complete the module |
| Max. number of positions | 0) |
| Ventilation openings present | yes |

Dimensions

| | |
|--|--|
| Dimensional drawing |  |
| Width | 22.6 mm |
| Height | 99 mm |
| Depth | 84.8 mm |
| Depth from top edge of DIN rail | 78.2 mm |
| Depth from top edge of DIN rail to support point on upper part | 46 mm |

PCB design

| | |
|---------------|-------------------|
| PCB thickness | 1.4 mm ... 1.8 mm |
|---------------|-------------------|

Material specifications

| | |
|--|------------------|
| Color (Lower housing part) | green (RAL 6021) |
| Material Lower housing part | PA |
| Flammability rating according to UL 94 | V0 |
| CTI according to IEC 60112 | 600 |

Environmental and real-life conditions

Power dissipation single housing for 20 °C

ME 22,5 F-UT BUS/10 GN - Mounting base housing



2735991

<https://www.phoenixcontact.com/us/products/2735991>

| | |
|---------------------|----------|
| Ambient temperature | 20 °C |
| Reduction factor | 1 |
| Mounting position | vertical |
| Power dissipation | 5.9 W |

Power dissipation single housing for 30 °C

| | |
|---------------------|----------|
| Ambient temperature | 30 °C |
| Reduction factor | 0.91 |
| Mounting position | vertical |
| Power dissipation | 5.4 W |

Power dissipation single housing for 40 °C

| | |
|---------------------|----------|
| Ambient temperature | 40 °C |
| Reduction factor | 0.81 |
| Mounting position | vertical |
| Power dissipation | 4.8 W |

Power dissipation single housing for 50 °C

| | |
|---------------------|----------|
| Ambient temperature | 50 °C |
| Reduction factor | 0.7 |
| Mounting position | vertical |
| Power dissipation | 4.1 W |

Power dissipation single housing for 60 °C

| | |
|---------------------|----------|
| Ambient temperature | 60 °C |
| Reduction factor | 0.57 |
| Mounting position | vertical |
| Power dissipation | 3.35 W |

Power dissipation single housing for 70 °C

| | |
|---------------------|----------|
| Ambient temperature | 70 °C |
| Reduction factor | 0.49 |
| Mounting position | vertical |
| Power dissipation | 2.9 W |

Vibration test

| | |
|------------------------|-----------------------------|
| Specification | IEC 60068-2-6:2007-12 |
| Frequency | 10 - 150 - 10 Hz |
| Sweep speed | 1 octave/min |
| Amplitude | 0.15 mm (10 Hz ... 58.1 Hz) |
| Acceleration | 2g (58.1 Hz ... 150 Hz) |
| Test duration per axis | 2.5 h |
| Test directions | X-, Y- and Z-axis |

Glow-wire test

| | |
|---------------|------------------------|
| Specification | IEC 60695-2-11:2014-02 |
| Temperature | 850 °C |

ME 22,5 F-UT BUS/10 GN - Mounting base housing



2735991

<https://www.phoenixcontact.com/us/products/2735991>

| | |
|------------------|------|
| Time of exposure | 30 s |
|------------------|------|

Thermal stability / ball thrust test

| | |
|---------------|------------------------|
| Specification | IEC 60695-10-2:2014-02 |
| Temperature | 125 °C |
| Test duration | 1 h |
| Force | 20 N |

Mechanical strength / tumbling barrel

| | |
|----------------|---------------------|
| Specification | IEC 60998-1:2002-12 |
| Height of fall | 50 cm |
| Frequency | 10 |

Shocks

| | |
|--------------------------------|-----------------------------------|
| Specification | IEC 60068-2-27:2008-02 |
| Pulse shape | Half-sine |
| Acceleration | 15g |
| Shock duration | 11 ms |
| Number of shocks per direction | 3 |
| Test directions | X-, Y- and Z-axis (pos. and neg.) |

Degree of protection (IP code)

| | |
|---------------|---|
| Specification | IEC 60529:1989-11 + AMD 1:1999-11 + AMD 2:2013-08 |
|---------------|---|

Ambient conditions

| | |
|---|--|
| Max. IP code to attain | IP20 |
| Ambient temperature (operation) | -40 °C ... 105 °C (depending on power dissipation) |
| Ambient temperature (storage/transport) | -40 °C ... 55 °C |
| Ambient temperature (assembly) | -5 °C ... 100 °C |
| Relative humidity (storage/transport) | 80 % |

PCB data

| | |
|-----------------------|---|
| Number of PCB holders | 1 |
| Type of PCB mount | Insertion (optional latching by PCB stop) |
| Thickness of the PCB | 1.4 mm ... 1.8 mm |

Mounting

| | |
|---------------|-------------------|
| Mounting type | DIN rail mounting |
|---------------|-------------------|

Packaging specifications

| | |
|----------------------|---------------------|
| Type of packaging | packed in cardboard |
| Outer packaging type | Carton |

Drawings

Dimensional drawing



Schematic figure for illustrating the item dimensions. The figure is not of the desired product. For further details, refer to the product drawings in the "Downloads" tab.

ME 22,5 F-UT BUS/10 GN - Mounting base housing



2735991

<https://www.phoenixcontact.com/us/products/2735991>

Approvals

To download certificates, visit the product detail page: <https://www.phoenixcontact.com/us/products/2735991>

|  cUL Recognized Approval ID: FILE E 60425 | | | | |
|--|-----------------------|-----------------------|-------------------|-----------------------------|
| | Nominal voltage U_N | Nominal current I_N | Cross section AWG | Cross section mm^2 |
| B | | | | |
| | 300 V | 8 A | - | - |
| D | | | | |
| | 300 V | 8 A | - | - |

|  UL Recognized Approval ID: FILE E 60425 | | | | |
|---|-----------------------|-----------------------|-------------------|-----------------------------|
| | Nominal voltage U_N | Nominal current I_N | Cross section AWG | Cross section mm^2 |
| B | | | | |
| | 300 V | 8 A | - | - |
| D | | | | |
| | 300 V | 8 A | - | - |

ME 22,5 F-UT BUS/10 GN - Mounting base housing



2735991

<https://www.phoenixcontact.com/us/products/2735991>

Classifications

ECLASS

| | |
|-------------|----------|
| ECLASS-13.0 | 27190601 |
| ECLASS-15.0 | 27190601 |

ETIM

| | |
|-----------|----------|
| ETIM 10.0 | EC002779 |
|-----------|----------|

UNSPSC

| | |
|-------------|----------|
| UNSPSC 21.0 | 31261500 |
|-------------|----------|

ME 22,5 F-UT BUS/10 GN - Mounting base housing



2735991

<https://www.phoenixcontact.com/us/products/2735991>

Environmental product compliance

EU RoHS

| | |
|---|--------------------|
| Fulfills EU RoHS substance requirements | Yes, No exemptions |
|---|--------------------|

China RoHS

| | |
|--|--|
| Environment friendly use period (EFUP) | EFUP-E |
| | No hazardous substances above the limits |

EU REACH SVHC

| | |
|-------------------------------------|----------------------------|
| REACH candidate substance (CAS No.) | No substance above 0.1 wt% |
|-------------------------------------|----------------------------|

Phoenix Contact 2026 © - all rights reserved
<https://www.phoenixcontact.com>

Phoenix Contact USA
586 Fulling Mill Road
Middletown, PA 17057, United States
(+717) 944-1300
info@phoenixcon.com