

# EG 45-A/ABS BU - Electronics housing



2735946

<https://www.phoenixcontact.com/us/products/2735946>

Please be informed that the data shown in this PDF document is generated from our online catalog. Please find the complete data in the user documentation. Our general terms of use for downloads are valid.

Housing cover, for connection on both sides



The figure shows fully mounted versions of the electronic housing, in green

## Commercial data

Item number	2735946
Packing unit	10 pc
Minimum order quantity	10 pc
Product key	ACHCGA
GTIN	4017918610111
Weight per piece (including packing)	11.4 g
Weight per piece (excluding packing)	10.9 g
Country of origin	DE

2735946

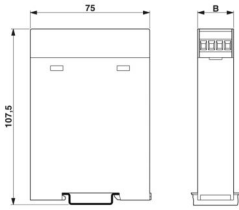
<https://www.phoenixcontact.com/us/products/2735946>

## Technical data

### Product properties

Housing type	Component housing
Number of positions	16

### Dimensions

Dimensional drawing	
Width	45 mm
Installed height	17.5 mm
Length	75 mm

### Material specifications

Flammability rating according to UL 94	HB
Housing material	Acryl butadiene styrene (ABS)

### Environmental and real-life conditions

#### Ambient conditions

Ambient temperature (operation)	80 °C
---------------------------------	-------

# EG 45-A/ABS BU - Electronics housing

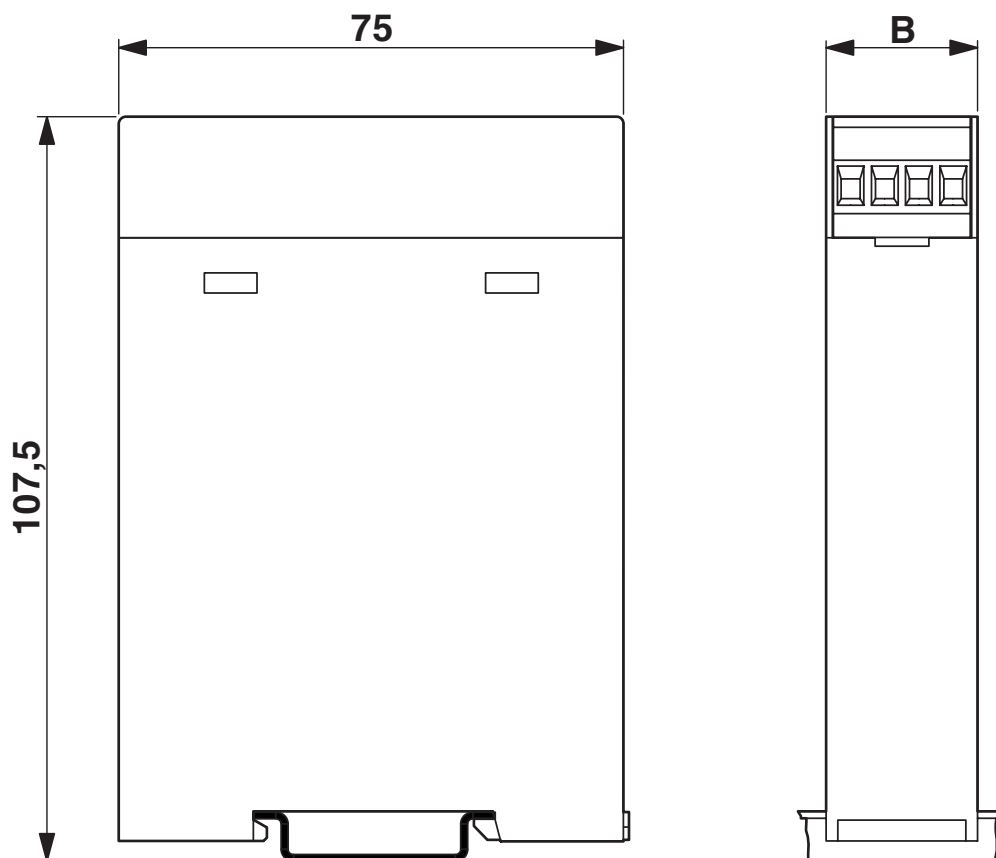
2735946

<https://www.phoenixcontact.com/us/products/2735946>



## Drawings

Dimensional drawing



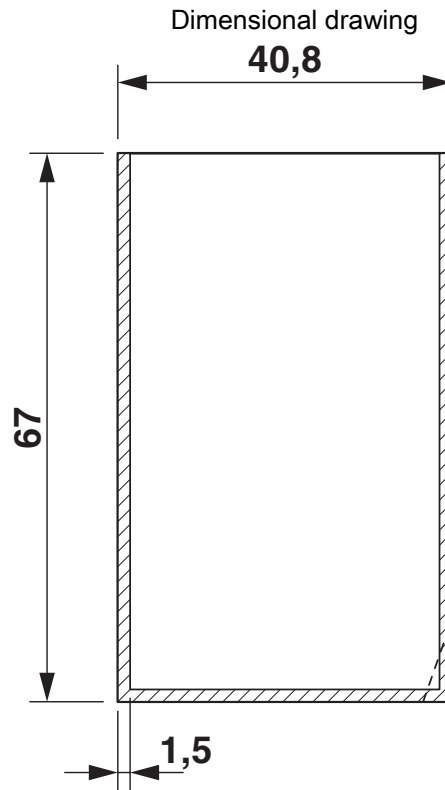


Component mounting side, if the double-level upper part is used

# EG 45-A/ABS BU - Electronics housing

2735946

<https://www.phoenixcontact.com/us/products/2735946>



valid for PCB 1; 3; 5 and 6, see explosion drawing



valid for PCB 7 and 12, see explosion drawing

# EG 45-A/ABS BU - Electronics housing

2735946

<https://www.phoenixcontact.com/us/products/2735946>



valid for PCB 10, see explosion drawing

# EG 45-A/ABS BU - Electronics housing

2735946

<https://www.phoenixcontact.com/us/products/2735946>



valid for PCB 13

# EG 45-A/ABS BU - Electronics housing

2735946

<https://www.phoenixcontact.com/us/products/2735946>



valid for PCB 14

# EG 45-A/ABS BU - Electronics housing



2735946

<https://www.phoenixcontact.com/us/products/2735946>

## Environmental product compliance

### China RoHS

Environment friendly use period (EFUP)	EFUP-E
	No hazardous substances above the limits

### EU REACH SVHC

REACH candidate substance (CAS No.)	No substance above 0.1 wt%
-------------------------------------	----------------------------

Phoenix Contact 2026 © - all rights reserved  
<https://www.phoenixcontact.com>

Phoenix Contact USA  
586 Fulling Mill Road  
Middletown, PA 17057, United States  
(+717) 944-1300  
[info@phoenixcon.com](mailto:info@phoenixcon.com)