

# EG 45-GMFP/PC GY - Mounting base housing



2735386

<https://www.phoenixcontact.com/us/products/2735386>

Please be informed that the data shown in this PDF document is generated from our online catalog. Please find the complete data in the user documentation. Our general terms of use for downloads are valid.



Housing base, with metal foot catch and test opening with side cover

The figure shows fully mounted versions of the electronic housing, in green

## Your advantages

- Tool-free mounting

## Commercial data

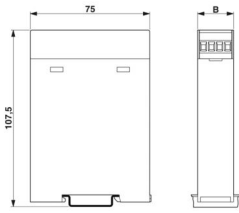
Item number	2735386
Packing unit	10 pc
Minimum order quantity	10 pc
Note	Made to order (non-returnable)
Sales key	AC11
Product key	ACHCGA
GTIN	4017918572167
Weight per piece (including packing)	60.77 g
Weight per piece (excluding packing)	60 g
Customs tariff number	85389099
Country of origin	PL

## Technical data

### Product properties

Product type	Lower housing part
Housing type	Component housing
Housing series	EG
Product family	EG...G
Type	Lower housing parts with test opening with side cover, housing cover necessary to complete the module
Number of positions	16
Max. number of positions	0)
Ventilation openings present	no

### Dimensions

Dimensional drawing	
Width	45 mm
Height	75 mm

### PCB design

PCB thickness	1.4 mm ... 1.8 mm
---------------	-------------------

### Material specifications

Color (Lower housing part)	window gray (RAL 7040)
Material	PC
Flammability rating according to UL 94	V0
Surface characteristics	untreated

### Environmental and real-life conditions

#### Ambient conditions

Max. IP code to attain	IP20
Ambient temperature (operation)	-40 °C ... 105 °C (depending on power dissipation)
Ambient temperature (storage/transport)	-40 °C ... 70 °C
Ambient temperature (assembly)	-5 °C ... 100 °C

### PCB data

Thickness of the PCB	1.4 mm ... 1.8 mm
----------------------	-------------------

### Mounting

# EG 45-GMFP/PC GY - Mounting base housing



2735386

<https://www.phoenixcontact.com/us/products/2735386>

Mounting type	DIN rail mounting
---------------	-------------------

# EG 45-GMFP/PC GY - Mounting base housing

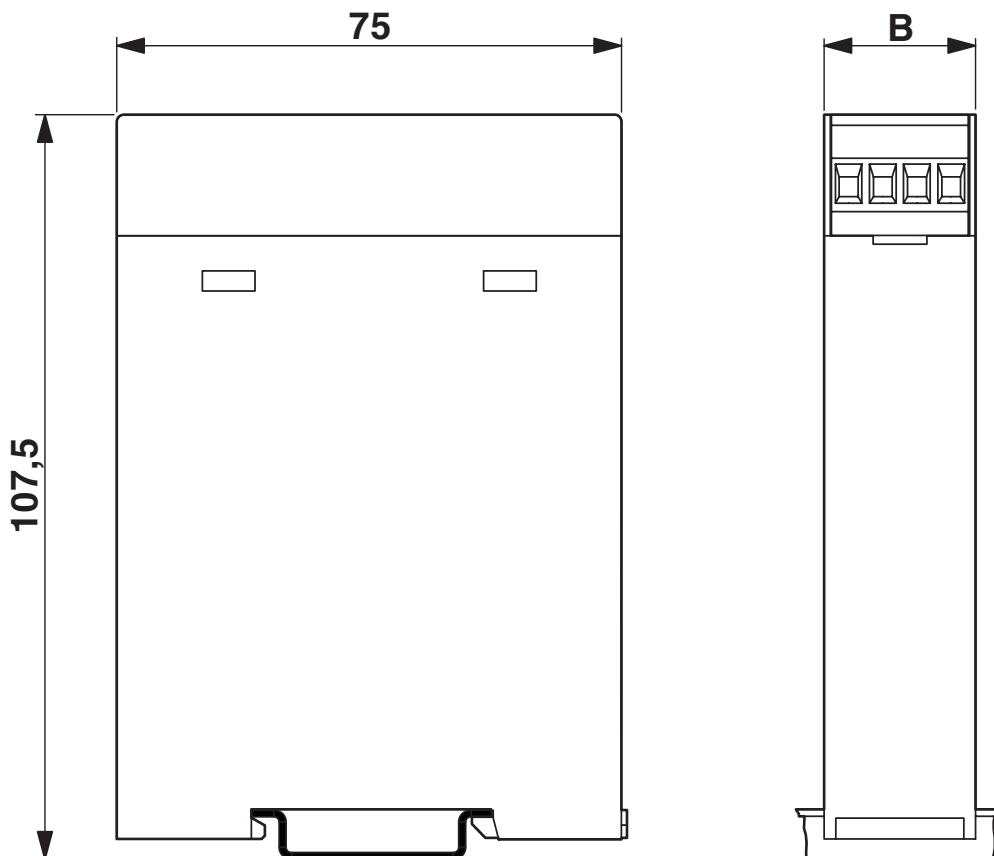
2735386

<https://www.phoenixcontact.com/us/products/2735386>



## Drawings

Dimensional drawing



# EG 45-GMFP/PC GY - Mounting base housing

2735386

<https://www.phoenixcontact.com/us/products/2735386>

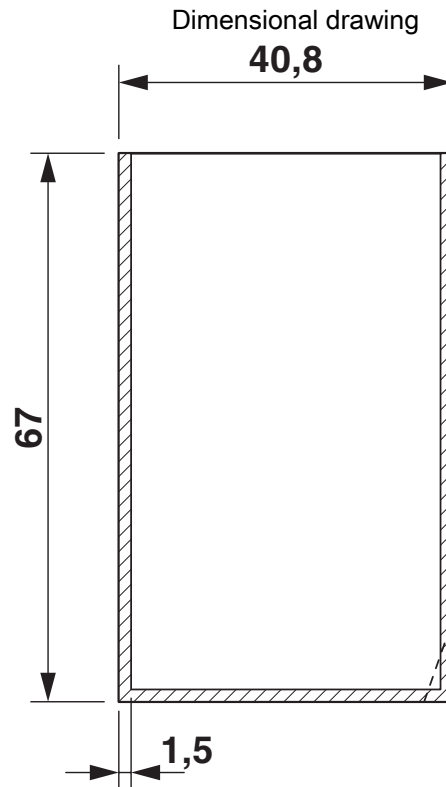


Component mounting side, if the double-level upper part is used

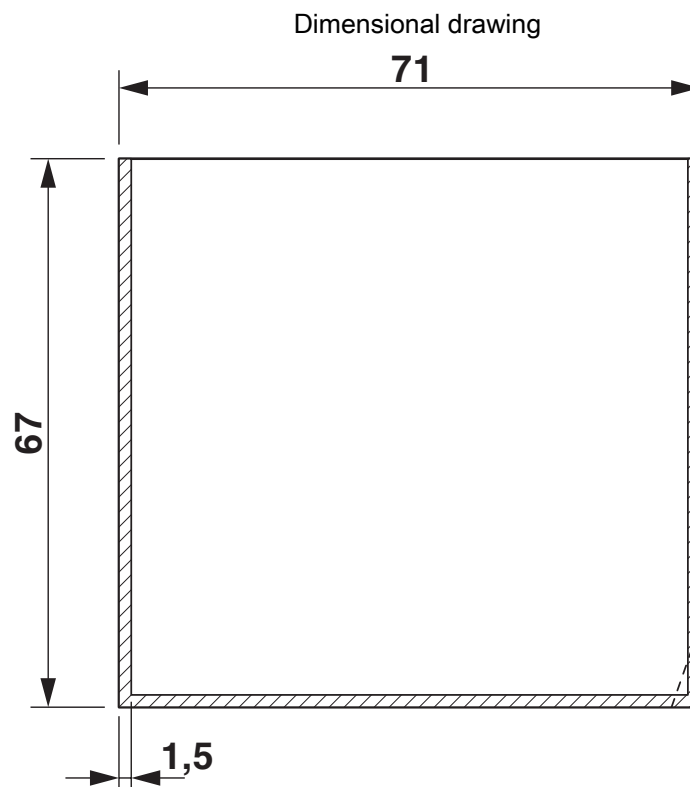
# EG 45-GMFP/PC GY - Mounting base housing

2735386

<https://www.phoenixcontact.com/us/products/2735386>



valid for PCB 1; 3; 5 and 6, see explosion drawing

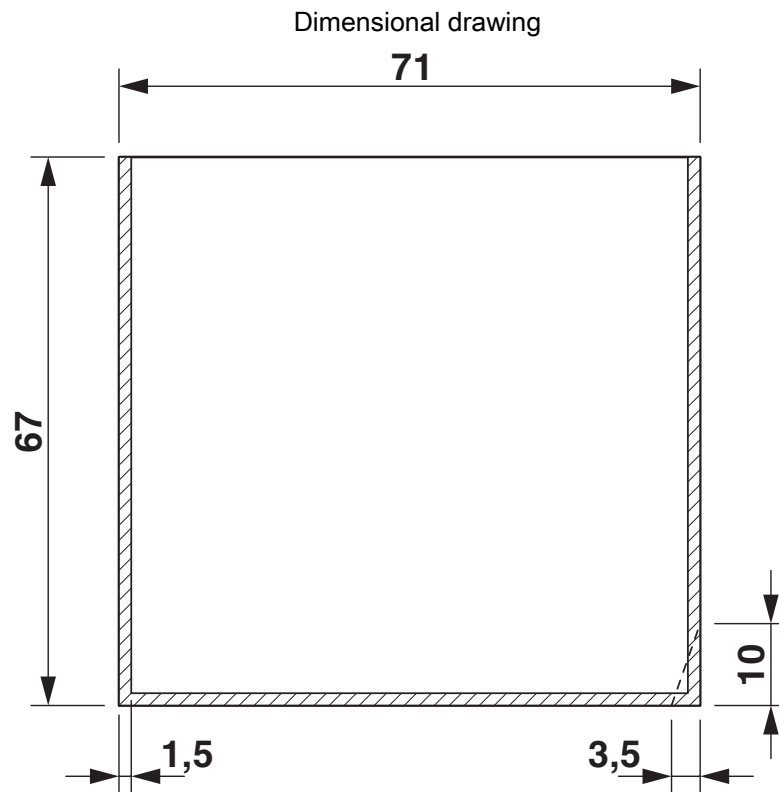


valid for PCB 7 and 12, see explosion drawing

# EG 45-GMFP/PC GY - Mounting base housing

2735386

<https://www.phoenixcontact.com/us/products/2735386>

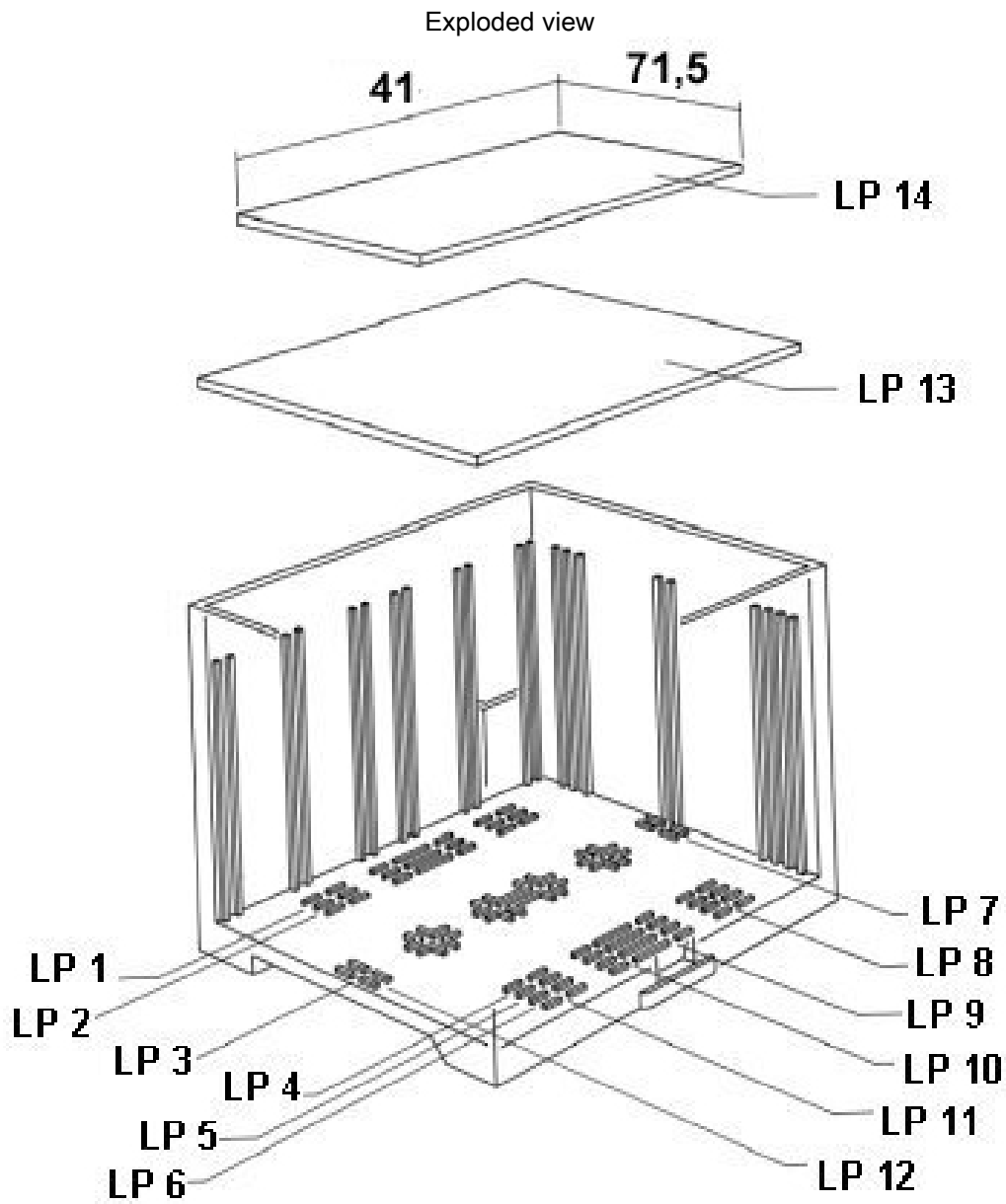


valid for PCB 10, see explosion drawing

# EG 45-GMFP/PC GY - Mounting base housing

2735386

<https://www.phoenixcontact.com/us/products/2735386>

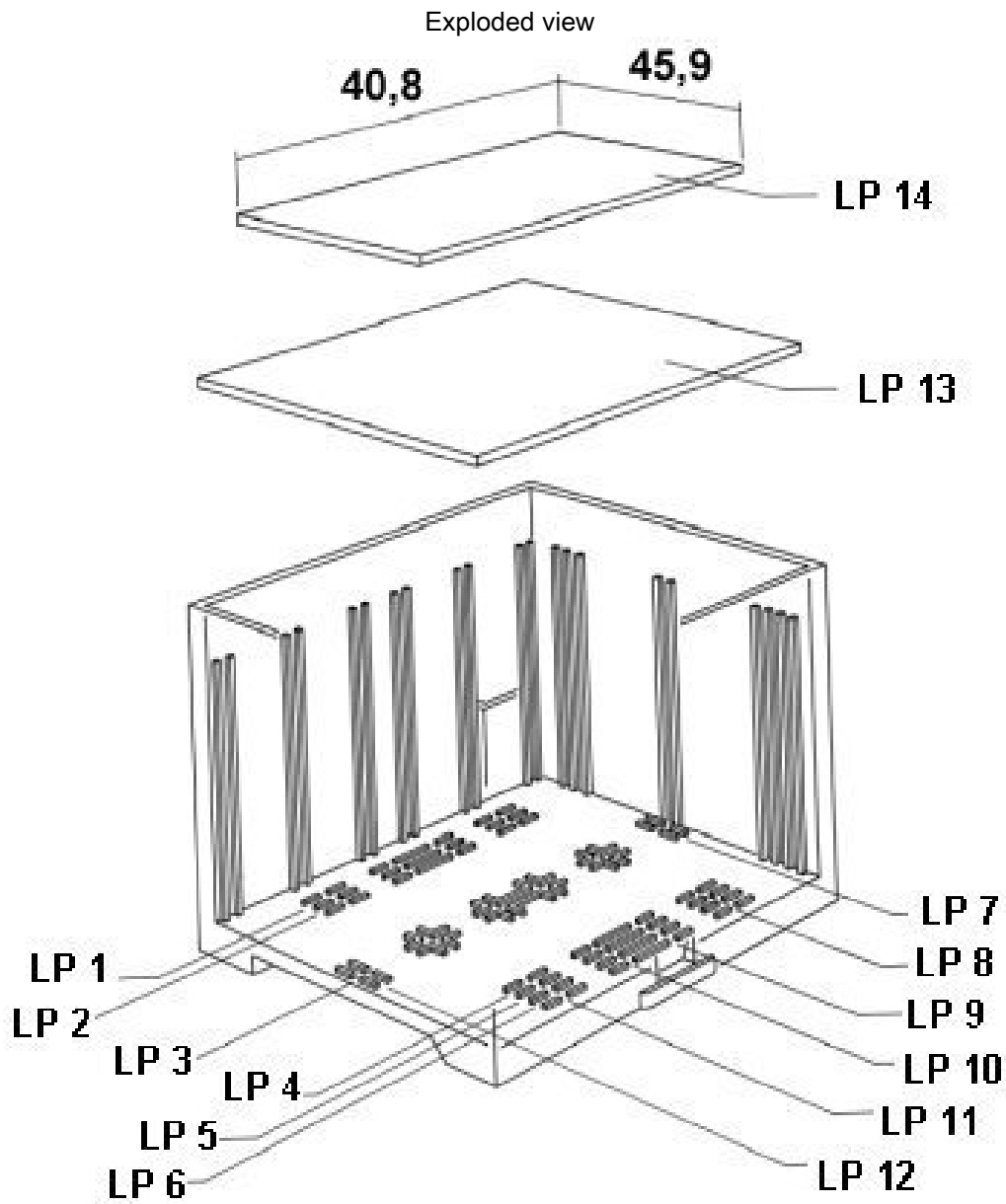


valid for PCB 13

# EG 45-GMFP/PC GY - Mounting base housing

2735386

<https://www.phoenixcontact.com/us/products/2735386>



valid for PCB 14

# EG 45-GMFP/PC GY - Mounting base housing



2735386

<https://www.phoenixcontact.com/us/products/2735386>

## Approvals

To download certificates, visit the product detail page: <https://www.phoenixcontact.com/us/products/2735386>



**UL Recognized**

Approval ID: E240868

# EG 45-GMFP/PC GY - Mounting base housing



2735386

<https://www.phoenixcontact.com/us/products/2735386>

## Classifications

### ECLASS

ECLASS-13.0	27190601
ECLASS-15.0	27190601

### ETIM

ETIM 10.0	EC002779
-----------	----------

### UNSPSC

UNSPSC 21.0	31261500
-------------	----------

# EG 45-GMFP/PC GY - Mounting base housing



2735386

<https://www.phoenixcontact.com/us/products/2735386>

## Environmental product compliance

### EU RoHS

Fulfills EU RoHS substance requirements	Yes, No exemptions
---	--------------------

### China RoHS

Environment friendly use period (EFUP)	EFUP-E
	No hazardous substances above the limits

### EU REACH SVHC

REACH candidate substance (CAS No.)	No substance above 0.1 wt%
-------------------------------------	----------------------------

Phoenix Contact 2026 © - all rights reserved  
<https://www.phoenixcontact.com>

Phoenix Contact USA  
586 Fulling Mill Road  
Middletown, PA 17057, United States  
(+717) 944-1300  
[info@phoenixcon.com](mailto:info@phoenixcon.com)